

IN STOCK
ALL ITEMS ON THIS PAGE ARE FOR IMMEDIATE SHIPMENT



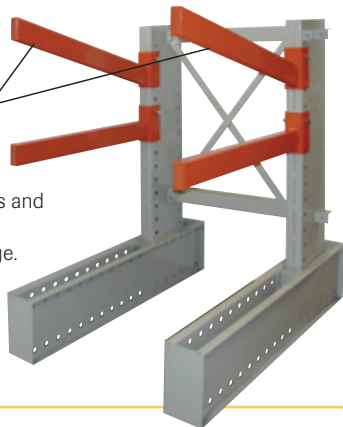
Storage Rack

Pre-Engineered 72" Wide Cantilever Rack

Store bulky, irregular, long and odd-shaped items at low cost. Achieve maximum utilization of warehouse cube without front posts or columns to restrict horizontal space. Handle hard-to-store items, including appliances, building materials, fabrics, flooring, furniture, steel, pipe and other items, with ease. Wide, open rows allow proper load support and easy access.

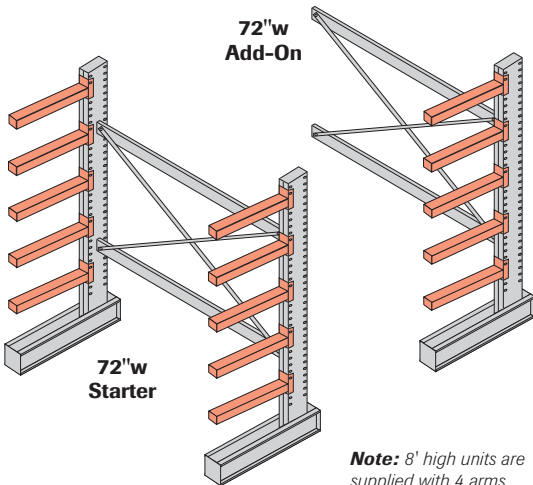
- All are 72" wide from center post to center post
- Choose single or double faced models in regular or heavy-duty strengths
- Arms are adjustable on 3" centers, and are available in lengths from 18" to 48"

Optional Canted Arm
(Mfg. orders only)



Upright Frames, Brace Set Kits and accessories available in Gray. Arms available in Safety Orange.

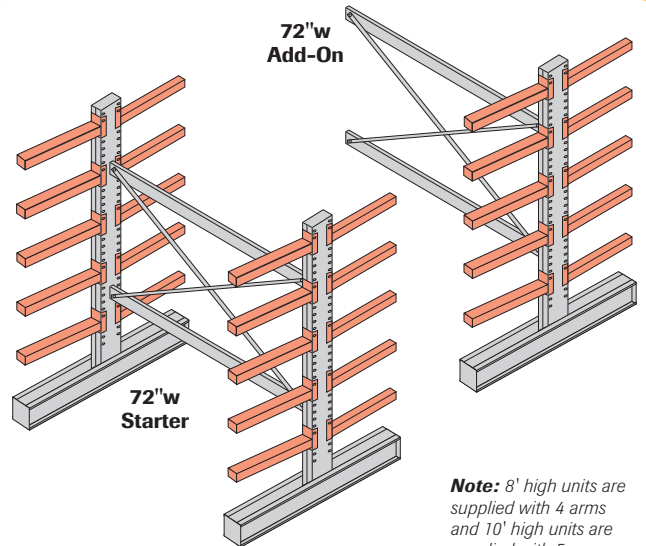
See pages 80-81 for details.



Note: 8' high units are supplied with 4 arms and 10' high units are supplied with 5 arms.

Single Face Racks

Per Arm Capacity	Upright Capacity	Starter Cat. No.	Add-On Cat. No.
Regular-Duty (8' High, 24" Arms)			
2,000 lbs.	8,400 lbs. ea.	CSF09624S	CSF09624
Heavy-Duty (10' High, 36" Arms)			
2,000 lbs.	10,800 lbs. ea.	CSF12036S	CSF12036
Heavy-Duty (10' High, 48" Arms)			
2,000 lbs.	9,290 lbs. ea.	CSF14448S	CSF14448



Note: 8' high units are supplied with 4 arms and 10' high units are supplied with 5 arms.

Double Face Racks

Per Arm Capacity	Upright Capacity	Starter Cat. No.	Add-On Cat. No.
Regular-Duty (8' High, 24" Arms)			
2,000 lbs.	8,400 lbs. ea.	CDF09624S	CDF09624
Heavy-Duty (10' High, 36" Arms)			
2,000 lbs.	10,800 lbs. ea.	CDF12036S	CDF12036
Heavy-Duty (10' High, 48" Arms)			
2,000 lbs.	9,290 lbs. ea.	CDF14448S	CDF14448