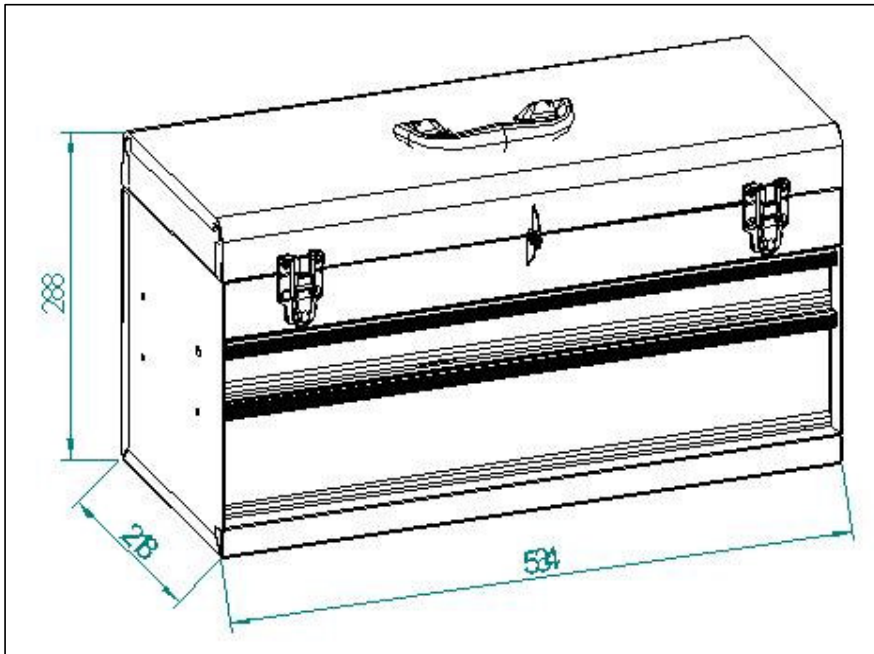




RR1457



21" Tool Box w/2 BBS Drawers, with middle locking system device

Dimensions

| | Width in(cm) | Depth in(cm) | Height in(cm) | Part No. | Pull P/N |
|-----------------|---------------|---------------|-----------------|-----------|----------|
| Overall | 21"(53.4) | 8-9/16"(21.8) | 11-5/16"(28.8) | TBD132A-X | |
| 1 Top Drawer | 19-3/4"(50.1) | 7-7/16"(18.9) | 1-7/8"(4.8) | | |
| 1 Bottom Drawer | 19-3/4"(50.1) | 7-7/16"(18.9) | 3-15/16"(10.05) | | |

Characteristics

| | | | |
|------------------------|-------------------|---------|--------------------|
| Weight: | 17.0 lbs(7.7 kgs) | Slides: | |
| Storage Capacity: | xxx | Lock: | "A" Shape Drawbolt |
| Load Rating of Top: | 22.0 lbs(10 kgs) | | |
| Load Rating of Drawer: | 17.6 lbs(8kgs) | | |

Gauge Steel

| | |
|------------|---------|
| Side Wall: | 24gauge |
| Top: | 24gauge |
| Bottom: | 24gauge |
| Drawers: | 24gauge |