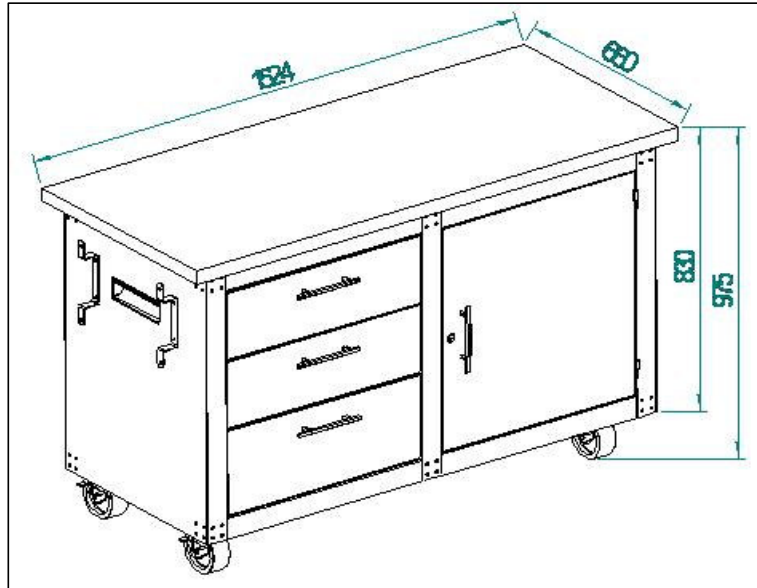




RR1460



Workstation Table

Dimensions

	Width in(cm)	Depth in(cm)	Height in(cm)	Part No.	Pull P/N
Overall	60"(152.4)	26"(66.0)	32-11/16"(83.0)	TSD603D	
2 Drawers	23-1/16"(58.5)	22-9/16"(57.3)	7-13/16"(19.85)		
1 Drawer	23-1/16"(58.5)	22-9/16"(57.3)	9-13/16"(24.9)		
Panel Area	24"(61.0)	22-1/8"(56.2)	25-13/16"(65.5)		

Characteristics

Weight:	337.7 lbs(153.5kgs)	Slides:
Storage Capacity:	xxx	
Load Rating of Drawer	44 lbs(20kgs) per Drawer	
Load Rating of Topside	220 lbs(100kgs)	

Gauge Steel

Side Wall:	19gauge
Top:	18gauge
Bottom:	18gauge
Back	19gauge
Drawers:	22gauge
Door:	20gauge

Wheels: 5"(12.5cm)x2"(5cm), 2 Swivels, 2 Rigid, 353lbs(160kgs) Support Capacity.