

RECOMMENDED ANCHORING METHODS

(ANCHOR HARDWARE NOT FURNISHED BY LYON)

ANCHORS FOR MASONRY:

MIN. PULL OUT
VALUE IN LBS.

-3/16" SPRING WING TOGGLE BOLT	-----	200
-9/64" DIA. HAMMER-IN DRIVE PINS		
3/4" PENETRATION	-----	400
-3/16" x 7/8" NAIL DRIVE ANCHORS	-----	500
-1/4" SPRING WING TOGGLE BOLT	-----	650
-RAWPLUGS & #8 SHT. METAL SCREWS		
1" PENETRATION	-----	1190
-EXPANSION SCREWS FOR #10-24 SCREWS	-----	1340
MIN. LENGTH 5/8"		
-1/4" x 1 1/8" ONE PIECE ANCHOR BOLT	-----	1650
-1/4" x 1 3/4" STUD ANCHORS	-----	1700

POWER ACTUATED ANCHORS:

-9/64" DRIVE PIN		
3/4" PENETRATION	-----	315
-5/32" DRIVE PIN		
1" PENETRATION	-----	415

ANCHORS FOR WOOD:

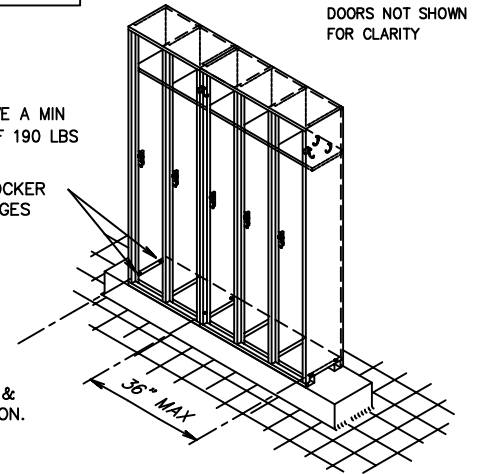
-.216" (#12) WOOD SCREWS		
1" PENETRATION	-----	120
1 1/2" PENETRATION	-----	180
-.242" (#14) WOOD SCREWS		
1" PENETRATION	-----	135
1 1/2" PENETRATION	-----	202
-1/4" DIA. LAG BOLT		
1" PENETRATION	-----	185
1 1/2" PENETRATION	-----	277
-5/16" DIA. LAG BOLT		
1" PENETRATION	-----	220
1 1/2" PENETRATION	-----	330

WARNING:

ANCHORS MUST HAVE A MIN PULL-OUT VALUE OF 190 LBS

DRILL THROUGH LOCKER BOTTOMS AT FLANGES OF SIDES.

EVERY END LOCKER TO BE ANCHORED PLUS INTERMEDIATE LOCKERS ON 36" CENTERS MAX. TWO ANCHORS, ONE AT FRONT & ONE AT BACK AT EACH LOCATION.



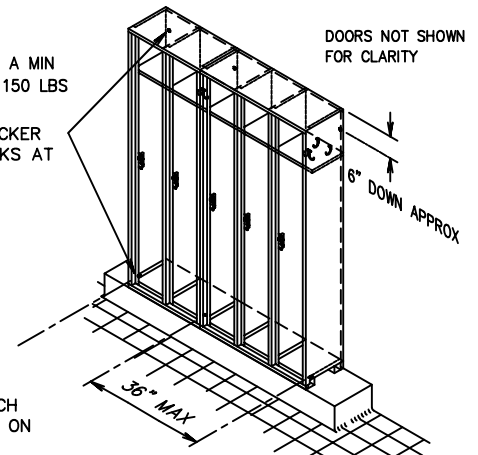
FREE STANDING SINGLE ROW LOCKERS

WARNING:

ANCHORS MUST HAVE A MIN PULL-OUT VALUE OF 150 LBS

DRILL THROUGH LOCKER BOTTOMS AND BACKS AT FLANGES OF SIDES.

EVERY END LOCKER TO BE ANCHORED PLUS INTERMEDIATE LOCKERS ON 36" CENTERS MAX. ONE ANCHOR AT FRONT AT EACH LOCATION. ONE THROUGH BACK ON SAME CENTERS AS SHOWN.



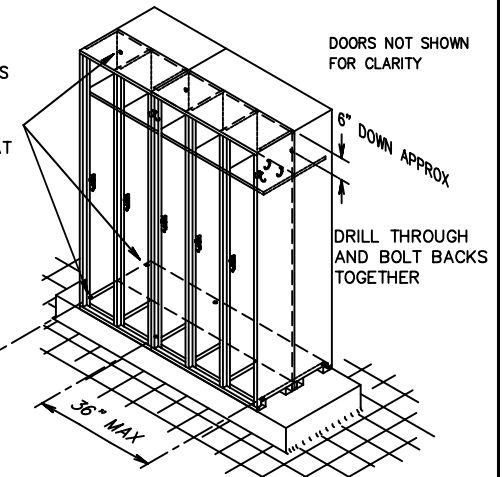
SINGLE ROW LOCKERS AGAINST A WALL

WARNING:

ANCHORS MUST HAVE A MIN PULL-OUT VALUE OF 190 LBS

DRILL THROUGH LOCKER BOTTOMS AND BACKS AT FLANGES OF SIDES.

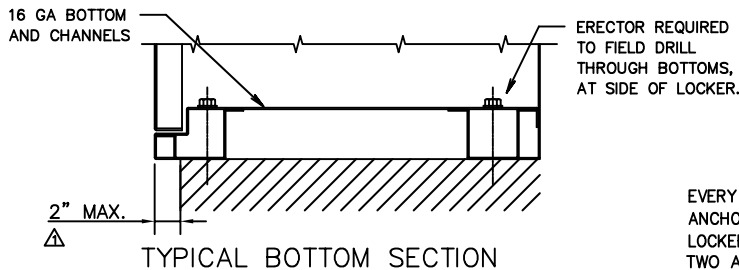
EVERY END LOCKER TO BE ANCHORED PLUS INTERMEDIATE LOCKERS ON 36" CENTERS MAX. TWO ANCHORS, ONE AT FRONT OF EACH ROW. TIE BACKS ON SAME CENTERS AS SHOWN.



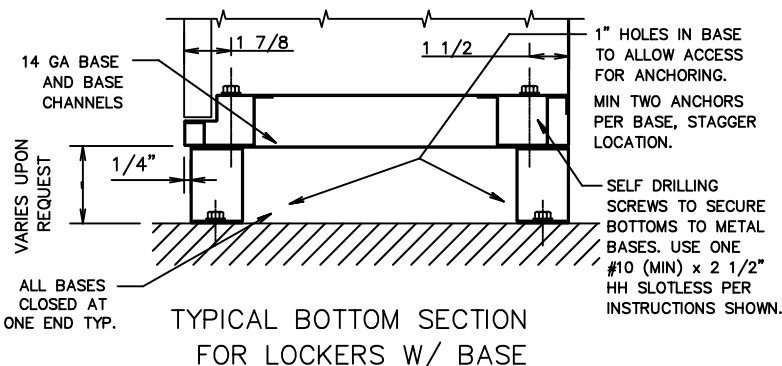
FREE STANDING DOUBLE ROW LOCKERS

NOTE:

IN ADDITION TO THE INSTRUCTIONS ABOVE: BOLT SIDE BY SIDE ALL-WELDED UNITS IN 3 PLACES WITH 9P1568 SCREW AND OP10288 KEP NUTS. TYPICAL FOR ALL LOCKERS.



TYPICAL BOTTOM SECTION



TYPICAL BOTTOM SECTION FOR LOCKERS W/ BASE

<i>INSTALLATION INSTRUCTIONS FOR INTEGRATED FRAME WELDED LOCKERS</i>	
REVISIONS	10105-DA
ECN# E-121897-01	12-23-97
E-020314-1	4-16-02