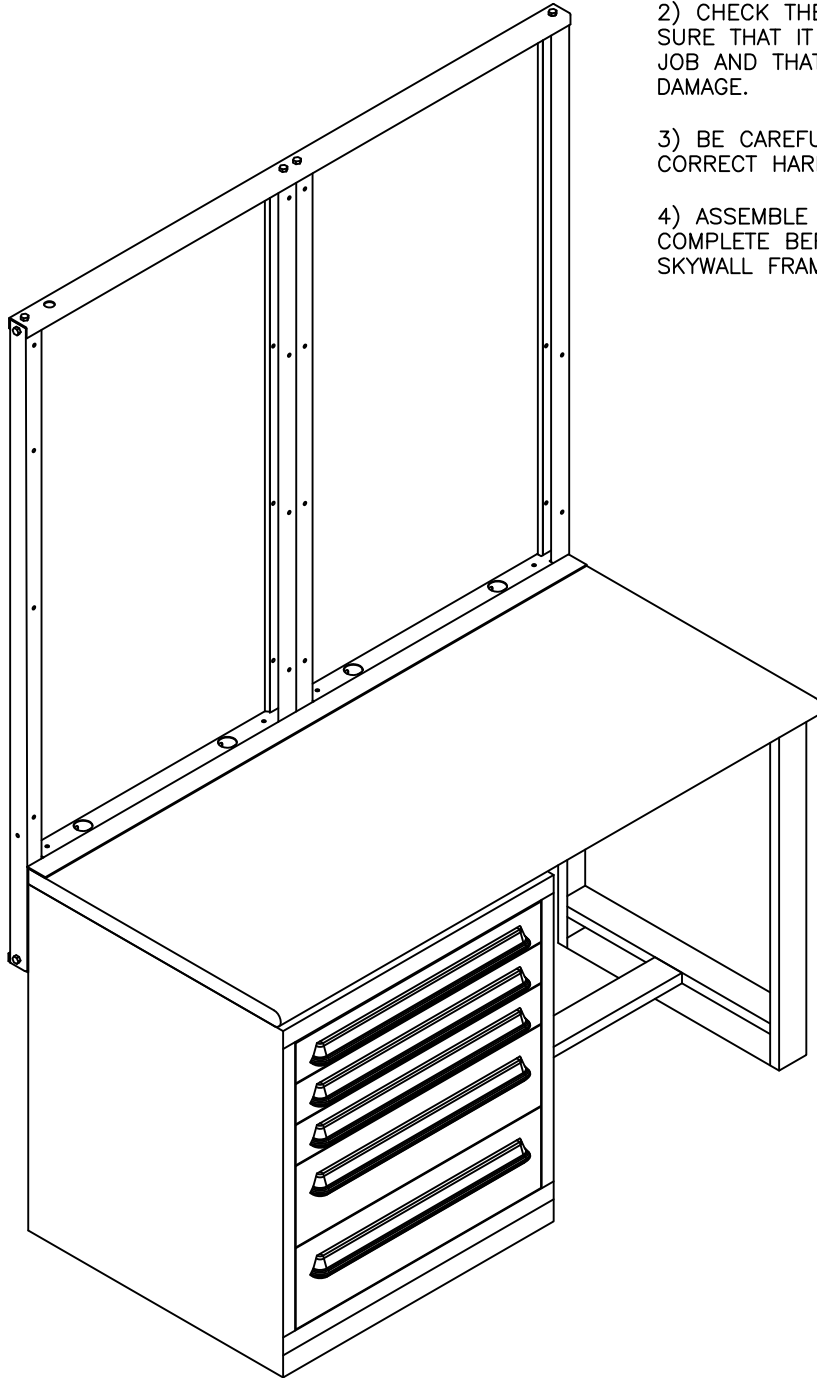


GENERAL INSTRUCTIONS:

- 1) PLEASE READ COMPLETE ASSEMBLY INSTRUCTIONS BEFORE ATTEMPTING TO ASSEMBLE.
- 2) CHECK THE MATERIAL TO BE SURE THAT IT IS CORRECT FOR THE JOB AND THAT THERE IS NO DAMAGE.
- 3) BE CAREFUL TO USE THE CORRECT HARDWARE SPECIFIED.
- 4) ASSEMBLE THE WORKBENCH COMPLETE BEFORE ASSEMBLING SKYWALL FRAME.



MDC SKYWALL II FRAME ASSEMBLY 48"/60"/72"

MISSING PARTS OR IN NEED OF ASSEMBLY ASSISTANCE?

SHEET 1 OF 6

Contact us direct for fast friendly service (800) 433-8488

International calls (630) 892-8941 | WEB: WWW.LYONWORKSPACE.COM | Fax (800) 367-6681

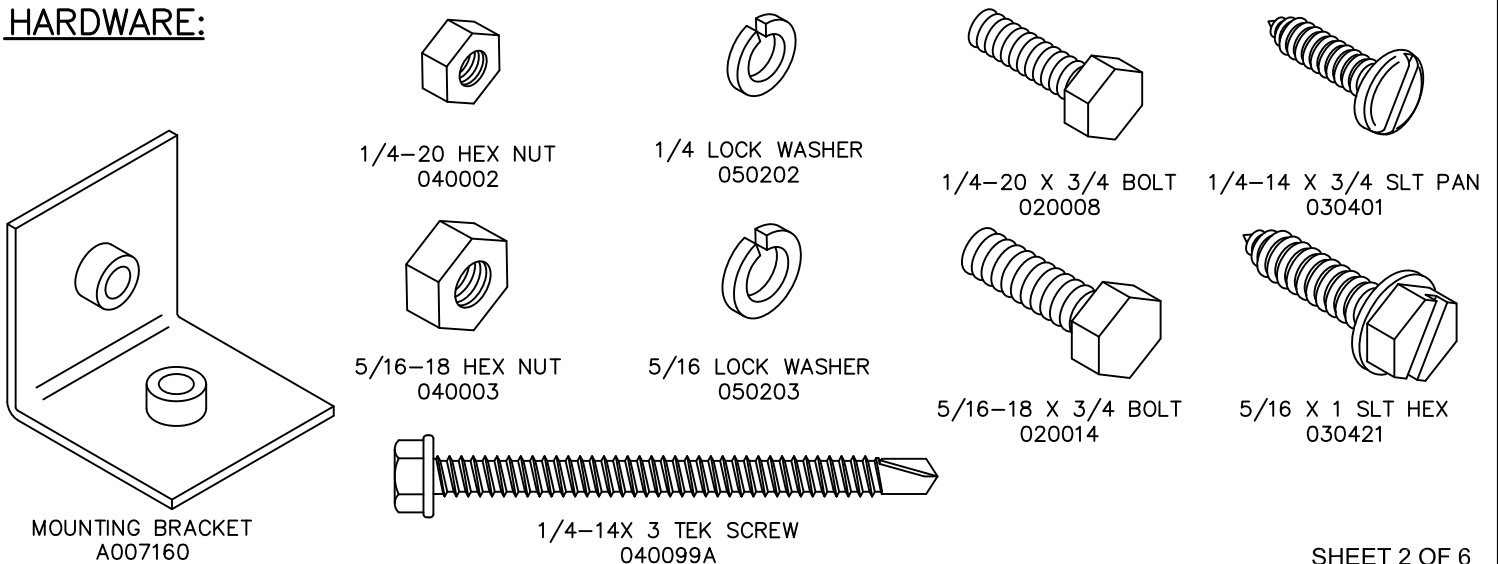
LYON



LYON WORKSPACE PRODUCTS
P.O. BOX 671
AURORA, IL 60507

PART NUMBER	DESCRIPTION	48"	60"	72"
A007169	FRAME TOP 48"	1		
A007170	SUPPORT BRACKET 48" FRAME	1		
A007394	FRAME SUPPORT PAN 48"	1		
A007158	FRAME TOP 60"		1	
A007161	SUPPORT BRACKET 60" FRAME		2	
A007393	FRAME SUPPORT PAN 60"		1	
A007171	FRAME TOP 72"			1
A007172	SUPPORT BRACKET 72" FRAME			2
A007396	FRAME SUPPORT PAN 72"			1
A007395	COLUMN UPRIGHT FOR MDC	2	4	4
A007367	ATTACHMENT BRACKET FOR MDC	2	2	2
A007160	MOUNTING BRACKET	4	8	8
020008	1/4-20 X 3/4" GRADE 2	10	17	17
020014	5/16-18 X 3/4" GRADE 2"	8	12	12
030401	1/4-14 X 3/4 SLT PAN (WOOD SCREW)	3	6	6
040002	1/4-20 HEX NUT	2	3	3
040003	5/16-18 HEX NUT	8	12	12
050202	1/4 LOCK WASHER	2	3	3
050203	5/16 LOCK WASHER	8	12	12
030421	5/16 X 1 SLT HEX	4	4	4
050003A	5/16" FLAT WASHER	8	12	12
040099A	1/4-14 X 3" TEK SCREW	4	6	6

HARDWARE:



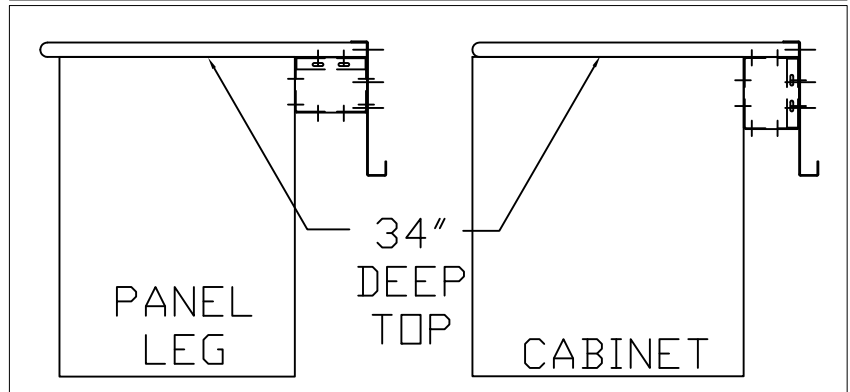
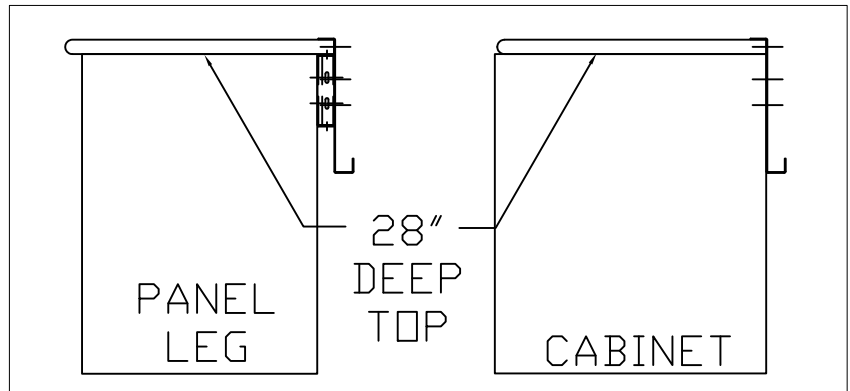
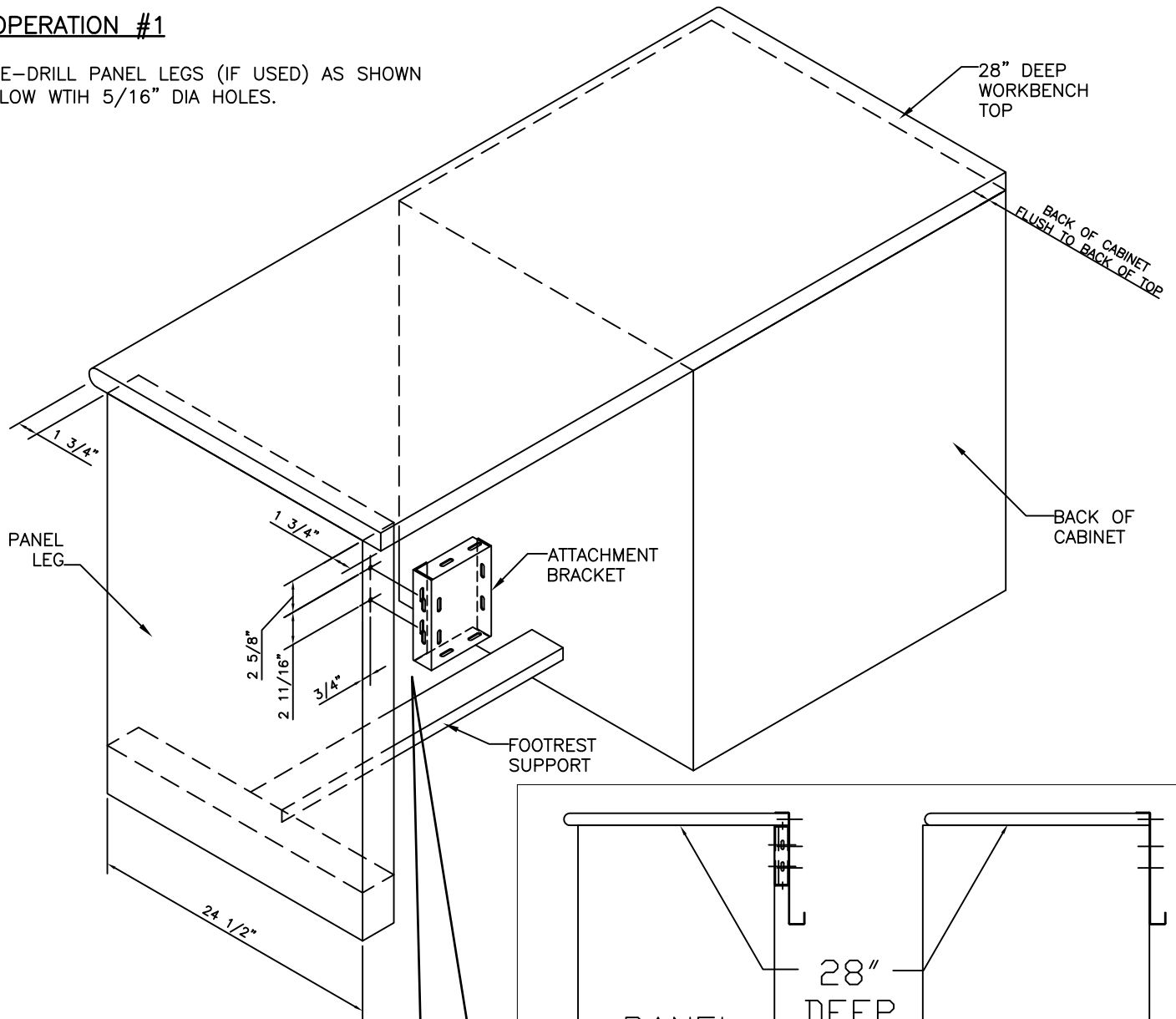
MDC SKYWALL II FRAME ASSEMBLY 48"/60"/72"

Contact us direct for fast friendly service (800) 433-8488

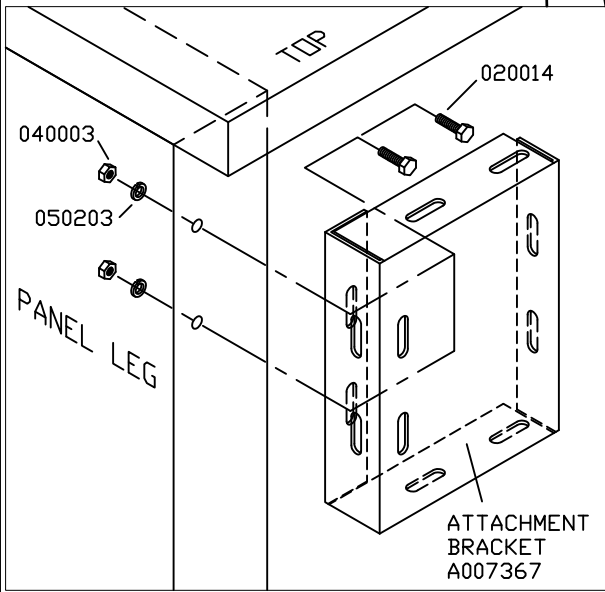
International calls (630) 892-8941 | WEB: WWW.LYONWORKSPACE.COM | Fax (800) 367-6681

OPERATION #1

PRE-DRILL PANEL LEGS (IF USED) AS SHOWN BELOW WITH 5/16" DIA HOLES.

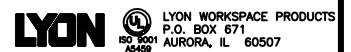


TWO BRACKETS ARE REQUIRED FOR 34" DEEP TOPS. USE 030421 SCREWS THROUGH BRACKETS INTO TOPS.



MDC SKYWALL II FRAME ASSEMBLY 48"/60"/72"

Contact us direct for fast friendly service (800) 433-8488
 International calls (630) 892-8941 | WEB: WWW.LYONWORKSPACE.COM | Fax (800) 367-6681

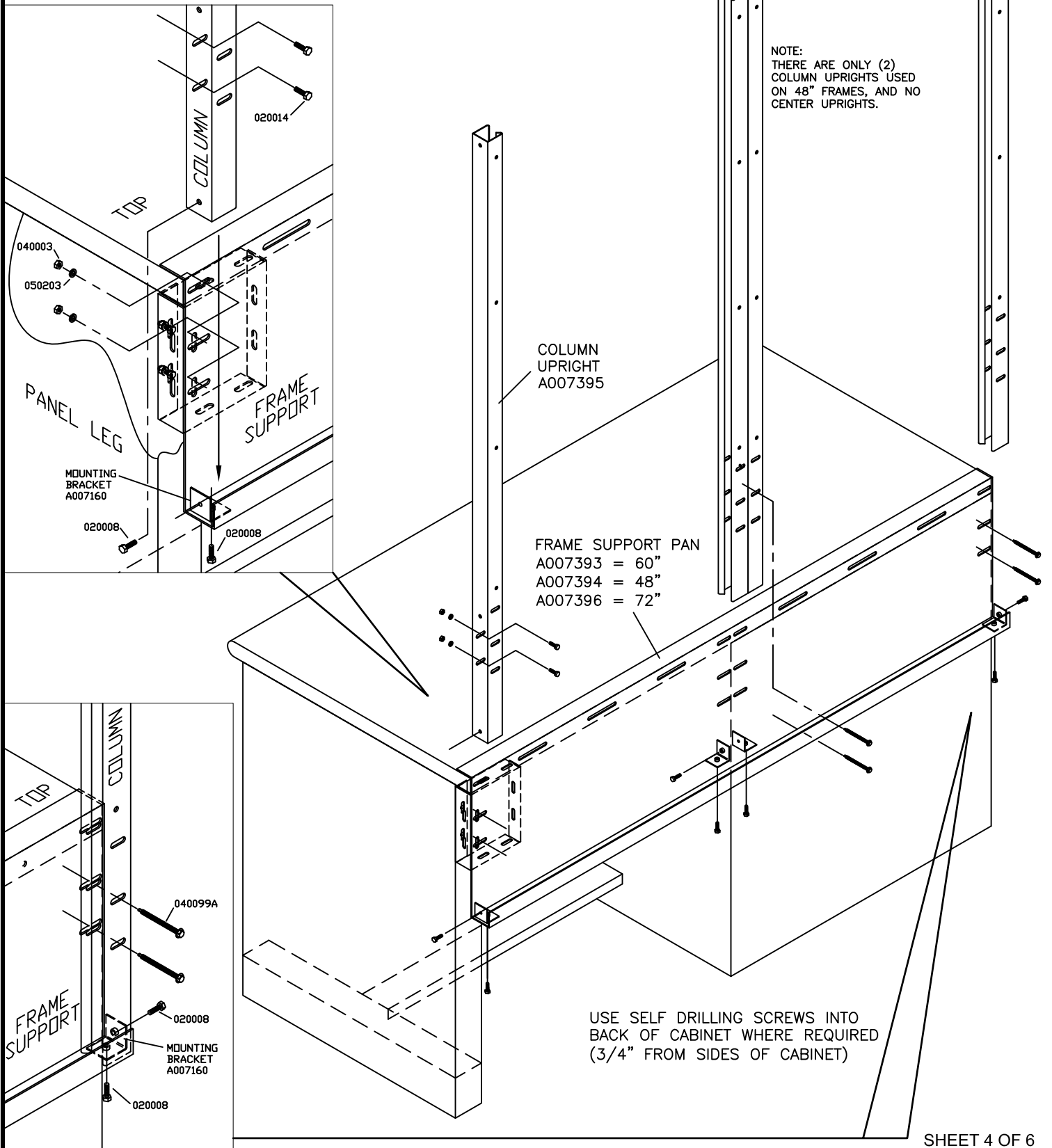


OPERATION #2

PLACE FRAME SUPPORT PAN ON TOP OF WORK SURFACE. ATTACH MOUNTING BRACKETS.

OPERATION #3

INSTALL COLUMN UPRIGHTS AND ATTACH AS SHOWN.




SHEET 4 OF 6

MDC SKYWALL II FRAME ASSEMBLY 48"/60"/72"

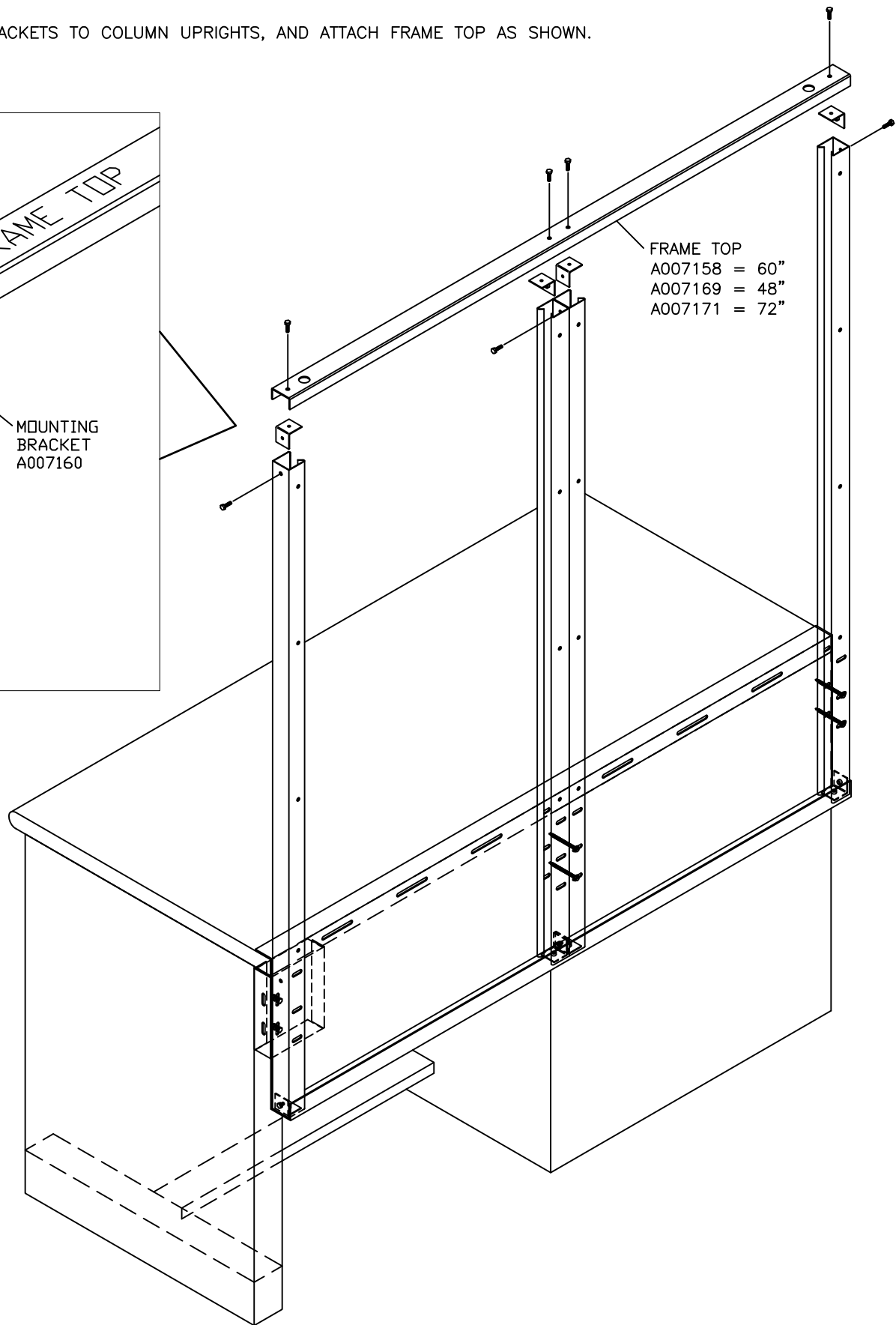
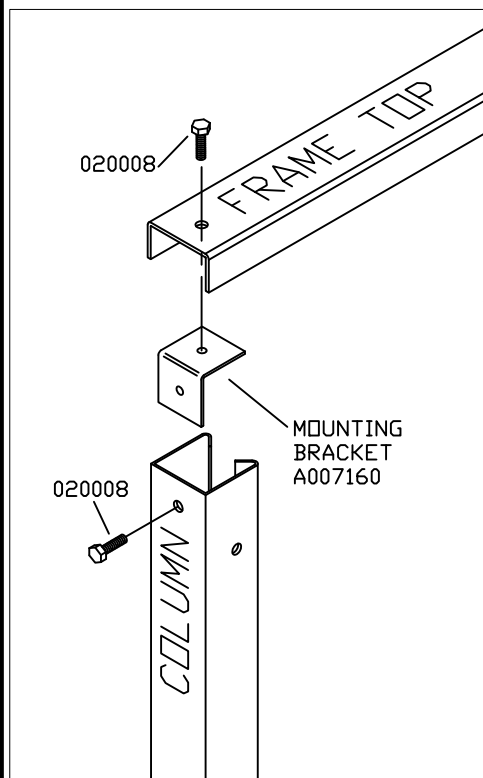
Contact us direct for fast friendly service (800) 433-8488

International calls (630) 892-8941 | WEB: WWW.LYONWORKSPACE.COM | Fax (800) 367-6681

LYON  LYON WORKSPACE PRODUCTS
P.O. BOX 671
AURORA, IL 60507

OPERATION #4

ATTACH MOUNTING BRACKETS TO COLUMN UPRIGHTS, AND ATTACH FRAME TOP AS SHOWN.



SHEET 5 OF 6

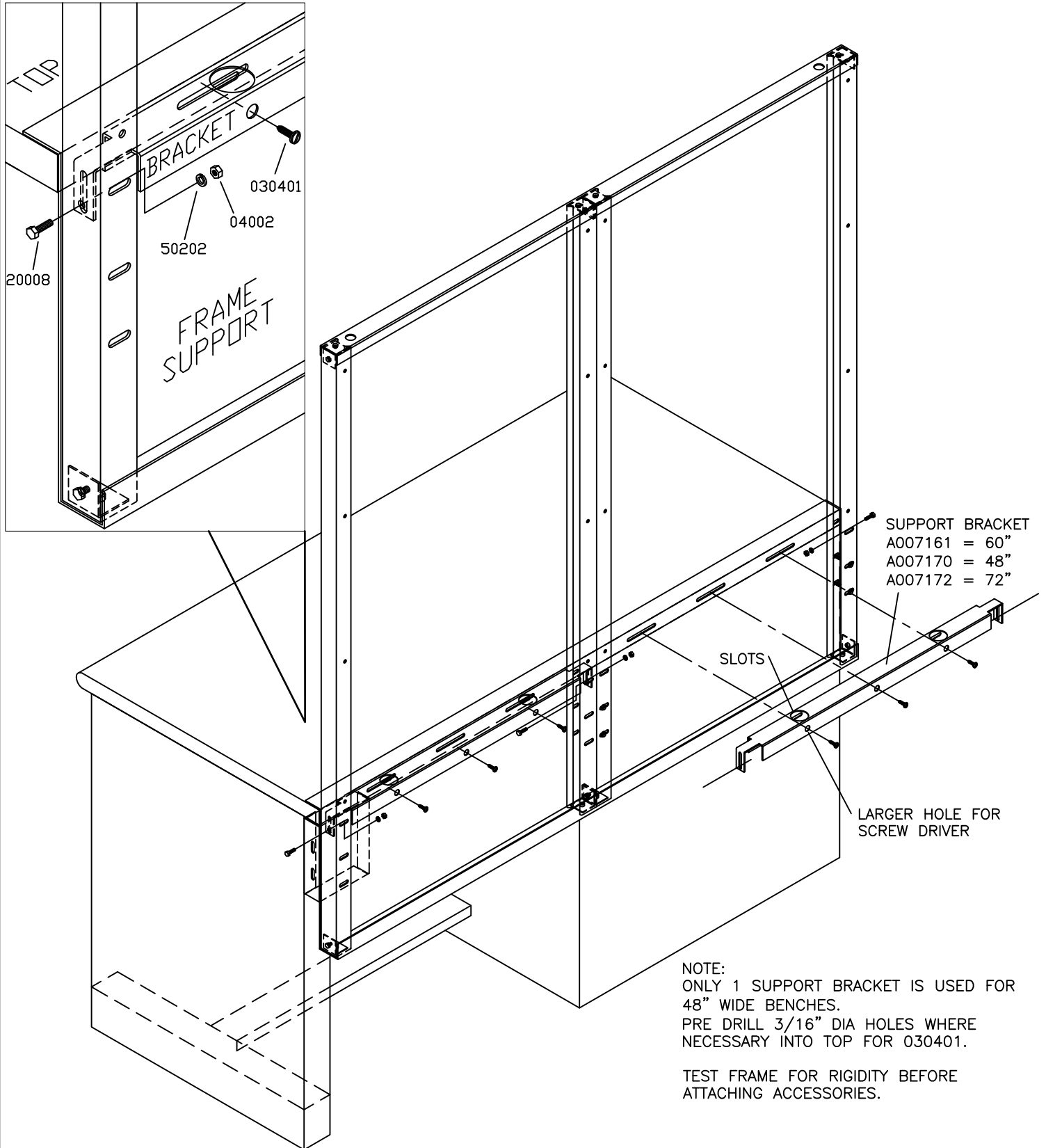
MDC SKYWALL II FRAME ASSEMBLY 48"/60"/72"

Contact us direct for fast friendly service (800) 433-8488
International calls (630) 892-8941 | WEB: WWW.LYONWORKSPACE.COM | Fax (800) 367-6681

LYON  LYON WORKSPACE PRODUCTS
P.O. BOX 671
A5426 ISO 9001 AURORA, IL 60507

OPERATION #5

ATTACH SUPPORT BRACKET TO COLUMN UPRIGHTS WITH SLOTS FACING THE TOPS AS SHOWN.
ATTACH SCREWS THROUGH BRACKET INTO TOP AS SHOWN.




SHEET 6 OF 6

MDC SKYWALL II FRAME ASSEMBLY 48"/60"/72"

Contact us direct for fast friendly service (800) 433-8488

International calls (630) 892-8941 | WEB: WWW.LYONWORKSPACE.COM | Fax (800) 367-6681

LYON  LYON WORKSPACE PRODUCTS
P.O. BOX 671
AURORA, IL 60507