

CABINETS WITHOUT SIDE REINFORCEMENTS MAY BE STACKED UP TO A MAXIMUM HEIGHT OF 180" HIGH AS LONG AS THE TOTAL LOAD DOES NOT EXCEED 15,000 lbs ON THE TOP OF THE BOTTOM CABINET. (Total load is the cabinet weight and its contents)

CABINETS WITH SIDE REINFORCEMENTS MAY BE STACKED UP TO A MAXIMUM HEIGHT OF 240" HIGH AS LONG AS THE TOTAL LOAD DOES NOT EXCEED 28,000 lbs ON THE TOP OF THE BOTTOM CABINET. (Total load is the cabinet weight and its contents)

Bottom cabinet must be leveled and securely anchored to floor and ganged to adjacent cabinets per owners manual.

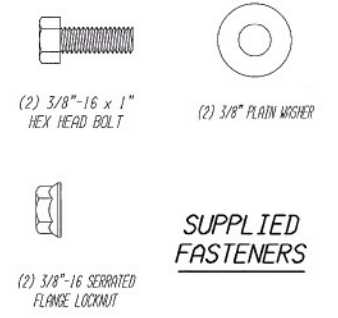
Remove sufficient top drawers from the bottom cabinet, and bottom drawers or false bottom from the top cabinet for access. Mark specific locations of drawers and carriers for reinstallation.

TOP CABINETS WITHOUT BASE CHANNELS:

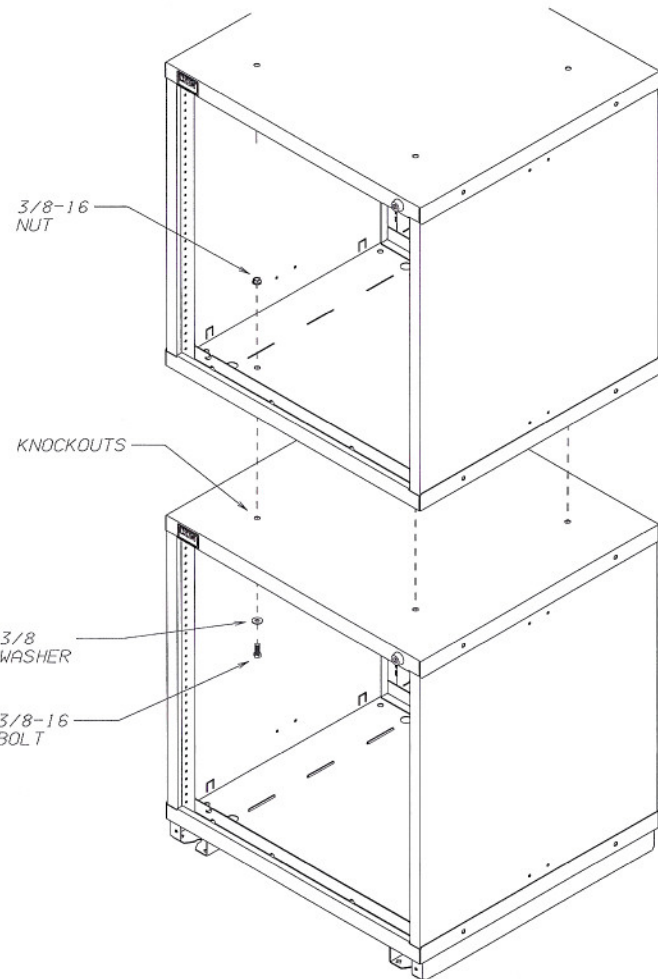
Remove two of the knockouts from the top of the bottom cabinet using a screwdriver or similar tool. Place top cabinet on bottom cabinet and line up through holes from top cabinet to knock-outs on bottom cabinet. Attach with supplied hardware. Replace drawers and carriers and/or false bottom into specific locations and check for proper operation.

TOP CABINETS WITH BASE CHANNELS:

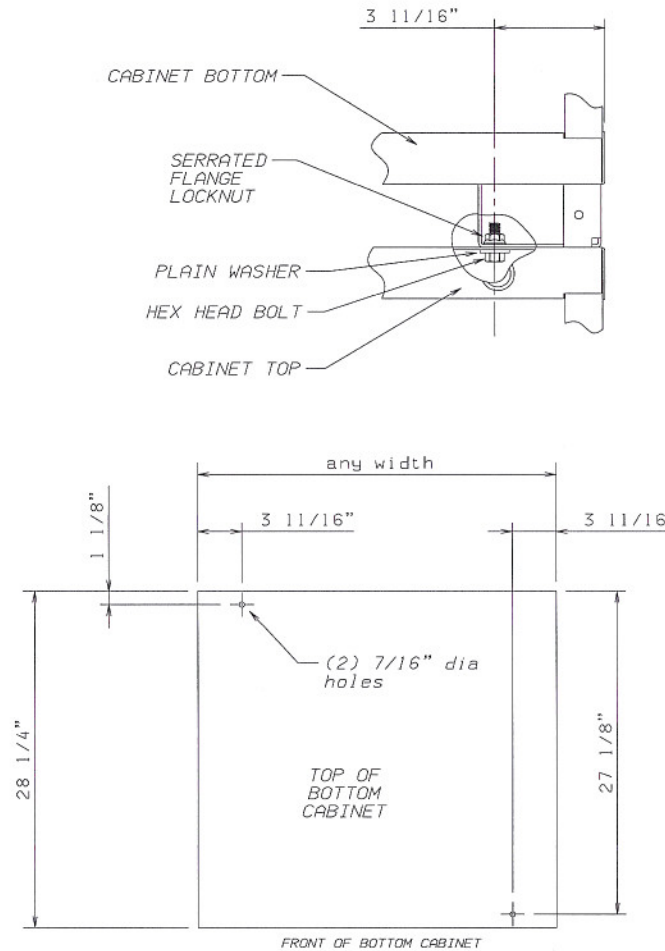
If bottom cabinet was not ordered with item "240STK5", drill top of cabinet as shown below. Place top cabinet on bottom cabinet and align the holes in the base channels of the top cabinet with the holes in the top of the bottom cabinet. Attach with supplied hardware. Replace drawers and carriers and/or false bottom into specific locations and check for proper operation.



TOP CABINETS WITHOUT BASE CHANNELS



TOP CABINETS WITH BASE CHANNELS



△	REVISED FOR KNOCKOUTS	0575	08-28-09	RE
△	UPDATED WITH 36 WIDE	0475	08-19-02	RE
△	REVISED FOR NEW MDC CABINET	0376	10-18-99	RE
△	REVISED		08-19-94	
△	RELEASED		12-04-86	
SYM	REVISION	ECN	DATE	BY
NOTES:				
1) ALL DIMENSIONS ARE INCHES				
2) TOLERANCES (UNLESS OTHERWISE NOTED)				
DECIMAL: .XX = ±.03				
.XXX = ±.015				
ANGULAR: = ±1°				
3) REMOVE ALL SHARP EDGES AND BURRS				
MATERIAL				

RAW P/N	WEIGHT(LB)	FINISH:		
101182	---	---		
DATE	REDRAWN BY	CHECKED BY		
12-04-86	RE	DV		
LYON		LYON METAL PRODUCTS		
		PO BOX 671 AURORA, IL 60507		
		(800) 323-0082 FAX: (800) 367-6681		
MDC	DESCRIPTION			
	INSTALLATION - CABINET STACKING			
SHEET	DWG NUMBER		REV	
	10204AA		5	

NOTICE: THIS IS A CONFIDENTIAL DISCLOSED BY LYON METAL PRODUCTS FOR REFERENCE PURPOSES ONLY