



OWNER'S MANUAL



Save This Manual For
Future Reference

XL SERIES BIG MAN OFFICE CHAIR MODEL NO. 2005

DESCRIPTION

Lyon XL Series Big Man Office Chair is ergonomically engineered for durability, support and comfort. Pneumatic lift allows 3" of adjustment while seated. Five-leg base is one-piece construction of molded nylon with ribbed fiberglass reinforcement. 26" base ensures maximum stability. Five high-impact, oil-resistant casters are non-marking. Adjustable arm rests have 3" height adjustment.

GENERAL SAFETY INSTRUCTIONS

Do not stand on seat. Chair must be on level surface to ensure proper stability. Only use chair when fully assembled. Periodically check fasteners and tighten securely as needed. Never use chair if it does not perform according to this manual. The warranty may be void if chair is used while damaged. Immediately call and report any problems (see "How to Order Repair Parts") and always give the serial number from label under seat.

ASSEMBLY

1. Turn the base (Key No. 1) upside down and insert the five casters (Key No. 2) into the ends of the base spokes. Turn the base right side up and place on the floor.
2. Insert the lift assembly (Key No. 3) into the base, tapered end down. Secure the lift assembly by applying a little downward pressure. Remove plastic cap from end of lift assembly.
3. Slide dust cover (Key No. 4) onto lift assembly.
4. Place back (Key No. 10) on workbench or table with front of back towards you. Back bracket should be towards you extending upward. Align four holes in bottom of seat (Key No. 5) with four holes in back bracket. Attach seat using four ¼-20 x 1½" socket head bolts (Key No. 9). Tighten bolts securely.
5. Attach left and right armrests (Key Nos. 7 and 8) to bottom of seat using three ¼-20 x 1¼" socket head bolts (Key No. 6) for each armrest. Armrest pads should be parallel to sides of seat. Depending on size of enduser, armrests can be adjusted close to or away from sides of seat. Tighten bolts securely.

6. Install control with seat and back assembly (Key Nos. 5 and 10). Align hole of control assembly located on underside of seat assembly with shaft of lift assembly. Press down firmly on seat to lock into place.
7. Adjust chair height as needed. While seated keep feet flat on the floor. Push up on lever paddle under seat on right side and adjust height so you feel NO pressure under the backs of your thighs. Typically, chair should be high enough so your arms form a 90° angle at the elbow to your work surface.
8. Lock seat tilt by pushing in on lever paddle under seat on right side. Unlock seat tilt by pulling out on paddle.
9. Adjust seat tilt tension using knob under front of seat. Rotate knob clockwise to increase tension. Rotate knob counterclockwise to reduce tension.

MAINTENANCE

The pneumatic lift is permanently lubricated at the factory and needs no further lubrication. **Never lubricate the pneumatic lift.** This could damage the lift and void your warranty.

Do not remove clip from bottom of lift. Call for immediate assistance if clip is missing or damaged.

HOW TO ORDER REPAIR PARTS

When ordering repair parts or reporting problems, always give the following information:

NAME OF ITEM	MODEL NUMBER
XL Series Big Man Office Chair	2005
PART DESCRIPTION	PART NUMBER

All parts listed may be ordered from your local Lyon Dealer or Lyon Workspace Products, P. O. Box 671, Aurora, IL 60507 800/323-0082 or 630/892-8941

WARRANTY

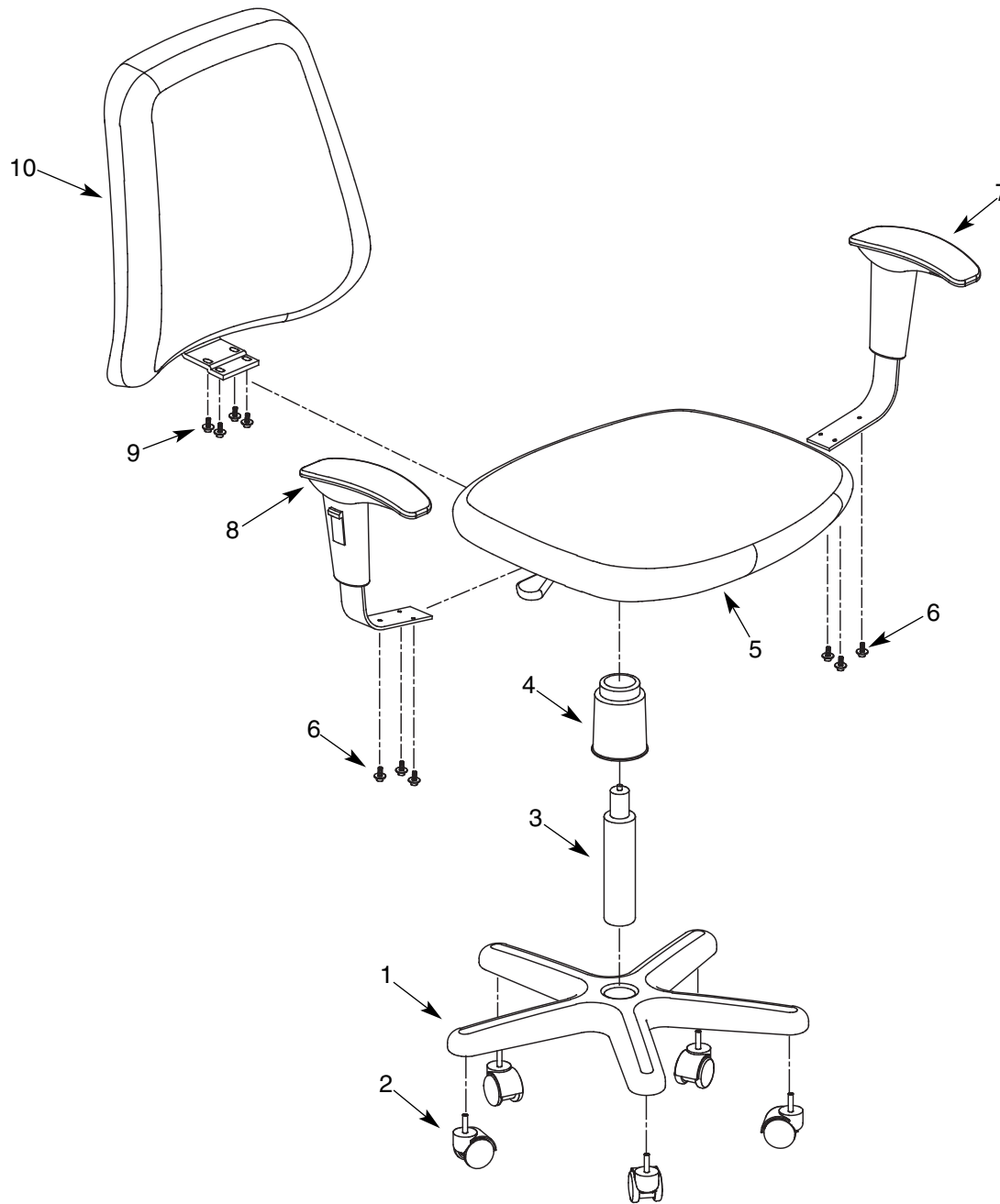
Lyon Workspace Products warrants all of its products to be free from manufacturing defects for the life of the product when it is used in accordance with manufacturer's specifications and/or operating instructions. The life of the product is ten years of single shift users, five years for two shift users, and two-and-a-half years for three shift users, for users not weighing more than 500 pounds.

During this period Lyon Workspace Products will repair or replace, at its option, any part found upon examination to be defective. Freight, labor or service charges for removal of defective parts and installation of replacement parts are not included. **All parts that are replaced due to wear, misuse or abuse are not covered by the warranty but replacement parts can be purchased from Lyon Workspace Products.**

This warranty applies to the original purchaser, and the purchaser's sole remedy under this warranty is limited to replacement or repair of the product and specifically excludes consequential, incidental or any other damages directly or indirectly resulting from a failure or loss of use of or by Lyon Workspace Products.

To obtain warranty service, a return authorization by Lyon Workspace Products must accompany all returned merchandise.

Contact your Lyon Dealer or Lyon Workspace Products, P.O. Box 671, Aurora, IL 60507, 800/323-0082 or 630/892-8941.



KEY NO.	DESCRIPTION	QTY	PART NO.
1	Base	1	10291.00
2	Caster	5	10292.00
3	Lift Assembly	1	10325.00
4	Dust Cover	1	02912.01
5	Seat with Control Assembly	1	10326.00
6	1/4-20 x 1 1/4" Socket Head Bolt	6	10327.00
7	Left Armrest	1	10328.00
8	Right Armrest	1	10329.00
9	1/4-20 x 1 1/2" Socket Head Bolt	4	10330.00
10	Back Assembly	1	10331.00