



OWNER'S MANUAL



Save This Manual For
Future Reference

DELUXE OFFICE CHAIR MODEL NO. 2006N

DESCRIPTION

Lyon Deluxe Office Chair is ergonomically engineered. It has been designed for exceptional wear and durability. Lyon Deluxe Office Chair is practical and functional for many uses. Its easily adjustable control system provides for a custom fit to the body and its needs. Pneumatic lift allows for smooth adjustments of seat height and cushions impact when initially sitting down. Lift provides the chair with an automatic height adjustment range of five inches. The five leg base is a sturdy one piece construction of molded nylon with ribbed fiberglass reinforcement. Seat and backrest are upholstered with a durable scotchguard treated fabric around a high resilient foam intended to provide long-lasting firm support.

GENERAL SAFETY INSTRUCTIONS

Do not stand on seat. Chair must be on level surface to ensure proper stability. Only use chair when fully assembled. Periodically check fasteners and tighten securely as needed. Never use chair if it does not perform according to this manual. Warranty may be void if chair is used while damaged. Immediately call and report any problems (see How to Order Repair Parts) and always give the serial number from label under seat.

ASSEMBLY

1. Unpack chair. Check all parts against parts list before beginning assembly. Allow parts to warm to room temperature prior to assembly.

2. Place caster (Key No. 1) into base leg and tap into base (Key No. 2) using a rubber mallet. Casters should fit snug. Repeat for other four casters. Turn base right side up.
3. Insert pneumatic lift (Key No. 3) into the base, tapered end down. Secure the lift by applying a little downward pressure (**CAUTION:** When applying downward pressure, avoid plastic button at top of lift as pressure will release pneumatic lift).
4. Install seat assembly (Key No. 7) on top of lift. Align hole in control assembly (Key No. 5) with top of lift. Push down on seat to insert firmly together. Underneath front left side of seat is a handle to adjust height of lift.
5. Insert the backstem from backrest assembly (Key No. 6) into slot at back of seat. Use a standard screwdriver to depress push button at bottom of backstem. Slide until backstem goes all the way through slot and sticks out of the bottom about 2". It may be necessary to rotate knob clockwise at back of seat assembly so backstem will slide all the way through slot. Rotate knob counterclockwise to lock backstem in place.
6. Make final chair adjustments following instructions on page 2.

MAINTENANCE

The pneumatic lift is permanently lubricated at the factory and needs no further lubrication. **Never lubricate the pneumatic lift.** This could damage the lift and void your warranty.

Do not remove clip from bottom of lift. Call for immediate assistance if clip is missing or damaged.

WARRANTY

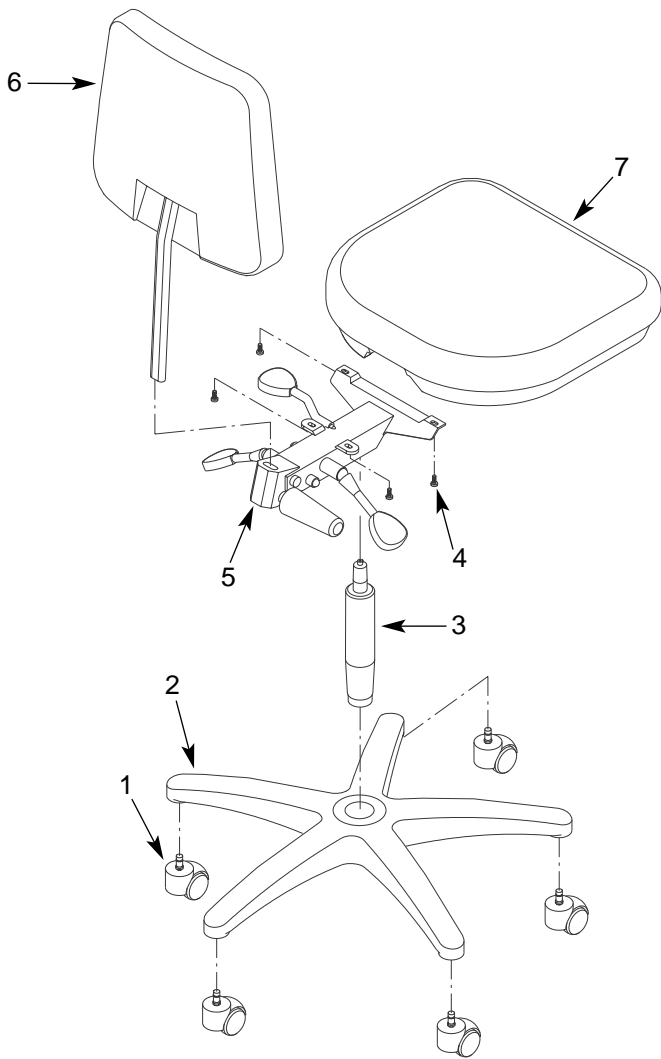
Lyon Workspace Products warrants all of its products to be free from manufacturing defects for the life of the product when it is used in accordance with manufacturer's specifications and/or operating instructions. The life of the product is ten years of single shift users, five years for two shift users, and two-and-a-half years for three shift users, for users not weighing more than 250 pounds.

During this period Lyon Workspace Products will repair or replace, at its option, any part found upon examination to be defective. Freight, labor or service charges for removal of defective parts and installation of replacement parts are not included. **All parts that are replaced due to wear, misuse or abuse are not covered by the warranty but replacement parts can be purchased from Lyon Workspace Products.**

This warranty applies to the original purchaser, and the purchaser's sole remedy under this warranty is limited to replacement or repair of the product and specifically excludes consequential, incidental or any other damages directly or indirectly resulting from a failure or loss of use of or by Lyon Workspace Products.

To obtain warranty service, a return authorization by Lyon Workspace Products must accompany all returned merchandise.

Contact your Lyon Dealer or Lyon Workspace Products, P.O. Box 671, Aurora, IL 60507, 800/323-0082 or 630/892-8941.



KEY NO.	DESCRIPTION	QTY	PART NO.
1	Caster	5	03389.02
2	Base	1	01543.03
3	Pneumatic Lift	1	03488.56
4	6-1.0 x 16mm Pan Head Screw	4	03713.00
5	Control Assembly	1	09009.06
6	Backrest Assembly	1	03243.57
7	Seat Assembly	1	03245.57

OPTIONAL ACCESSORIES	
Loop Armrest Assembly	2068
Adjustable T-Pad Armrest Assembly	2076N
Carpet Caster	2063N
Hard Floor Caster	2064N
Braking Caster (brakes when seat is not occupied)	2163N
Reverse Braking Caster (brakes when seat is occupied)	2165N

HOW TO ORDER REPAIR PARTS
 When ordering repair parts or reporting problems, always give the following information:

NAME OF ITEM Deluxe Office Chair	MODEL NUMBER 2006N
PART DESCRIPTION	PART NUMBER

All parts listed may be ordered from your local Lyon Dealer or Lyon Workspace Products, P. O. Box 671, Aurora, IL 60507
 800/323-0082 or 630/892-8941

CHAIR ADJUSTMENT INSTRUCTIONS

To maximize ergonomic benefits of this chair, it is essential to understand how controls function and how they affect your posture.

SEAT HEIGHT ADJUSTMENT

Sit centered in seat. Locate front handle under left side of seat and pull up. Ease weight up or down until you have reached the height you want. Typically chair should be high enough so your arms form a 90° angle at the elbow or slightly greater.

BACKREST HEIGHT ADJUSTMENT

Loosen knob at right rear of seat control. Adjust backrest until curve fits into small of your back. This will reduce pressure on the spinal discs, especially in lumbar area. Retighten knob.

BACKREST ANGLE ADJUSTMENT

Backrest angle adjustment handle is left rear handle under seat. Adjustment of backrest is critical for work tasks that require leaning forward. Pull up on handle to release backrest. Adjustment spring in seat control will bring the backrest forward. Lean back on backrest until you find a comfortable depth for support. Lock position by pushing down on lever.

SEAT TILT ADJUSTMENT

Seat tilt is the handle under seat at rear of right side. Lift handle and shift your weight on seat to tilt seat into position. Lock position by pushing down on lever.

