



# OWNER'S MANUAL



Save This Manual For  
Future Reference

## LOW PROFILE SHOP STOOL MODEL NO. 2089

### DESCRIPTION

The Lyon Low Profile Shop Stool is ergonomically engineered. Designed for exceptional wear and durability, the Lyon Shop Stool is practical for many applications.

The shop stool tool tray is made of 21 gauge steel and epoxy powder coated black. The 3" diameter soft tread casters provide ease of movement on hard surfaces and two casters are equipped with a manual side brake to lock the stool in place.

### GENERAL SAFETY INSTRUCTIONS

1. Do not stand on seat.
2. Stool must be on level surface to ensure proper stability.
3. Only use stool when fully assembled.
4. Periodically check fasteners and tighten securely if needed.
5. Never use stool if it does not perform according to this manual. The warranty may be void if used while in disrepair. Immediately call and report any problems (see How to Order Repair Parts) and always give manufacturer's serial number information from the label under the frame.

### ASSEMBLY

1. Unpack your stool and account for all parts.
2. Thread braking casters (Key No. 2) into bottom front of frame (Key No. 3). Thread casters (Key No. 1) into bottom rear of frame. Securely tighten all four casters with a wrench.
3. Place tray (Key No. 4) below seat and between sides of frame.

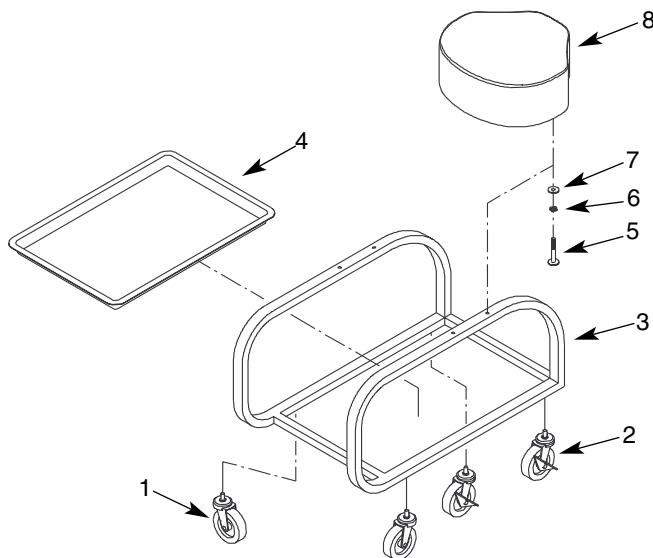
### HOW TO ORDER REPAIR PARTS

When ordering repair parts or reporting problems, always give the following information:

<b>NAME OF ITEM</b>	<b>MODEL NUMBER</b>
Low Profile Shop Stool	2089
<b>PART DESCRIPTION</b>	<b>PART NUMBER</b>

### SERIAL NUMBER

All parts listed may be ordered from your local Lyon Dealer or Lyon Metal Products, Inc. Aurora, IL 60507  
630/892-8941 or 800/323-0082



KEY NO.	DESCRIPTION	QTY	PART NO.
1	Caster	2	07833.02
2	Braking Caster	2	07832.02
3	Frame	1	03628.00
4	Tray	1	03629.00
5	1/4-20 x 1 1/2" Phillips Pan Head Screw	4	03630.00
6	1/4" Lock Washer	4	06628.00
7	1/4" Flat Washer	4	06629.00
8	Seat	1	03632.00

### WARRANTY

Lyon Workspace Products warrants all of its products to be free from manufacturing defects for the life of the product when it is used in accordance with manufacturer's specifications and/or operating instructions. The life of the product is ten years of single shift users, five years for two shift users, and two-and-a-half years for three shift users, for users not weighing more than 250 pounds.

During this period Lyon Workspace Products will repair or replace, at its option, any part found upon examination to be defective. Freight, labor or service charges for removal of defective parts and installation of replacement parts are not included. **All parts that are replaced due to wear, misuse or abuse are not covered by the warranty but replacement parts can be purchased from Lyon Workspace Products.**

This warranty applies to the original purchaser, and the purchaser's sole remedy under this warranty is limited to replacement or repair of the product and specifically excludes consequential, incidental or any other damages directly or indirectly resulting from a failure or loss of use of or by Lyon Workspace Products.

To obtain warranty service, a return authorization by Lyon Workspace Products must accompany all returned merchandise.

Contact your Lyon Dealer or Lyon Workspace Products, P.O. Box 671, Aurora, IL 60507, 800/323-0082 or 630/892-8941.