



# OWNER'S MANUAL



Save This Manual For  
Future Reference

## ADJUSTABLE FOOTREST MODEL NO. 2098

### DESCRIPTION

Lyon Adjustable Industrial Footrest is ergonomically engineered with an easily adjustable 10-35° forward slope, as well as adjustable height of 3-16" for platform. Footrest has been designed for exceptional wear and durability. Large tubular steel base offers maximum stability and the textured rubber matting on the platform provides secure footing.

### GENERAL SAFETY INSTRUCTIONS

1. Do not stand on platform.
2. Footrest must be on level surface to ensure proper stability.
3. Only use footrest when fully assembled.
4. Periodically check fasteners and tighten securely if needed.
5. Never use footrest if it does not perform according to this manual. The warranty may be void if used while in disrepair. Immediately call and report any problems (see "How to Order Repair Parts") and always give the code date information from the label, under the platform.

### ASSEMBLY

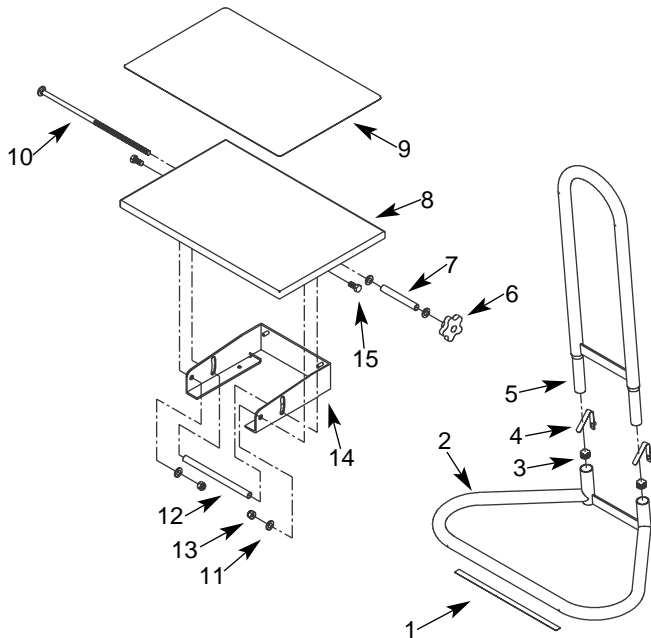
1. Unpack the footrest and account for all parts.
2. Position column into holes of base and until snap buttons are locked into position.
3. Place footrest platform onto column and slide to desired height. Lock into place by positioning pins into holes.
4. Loosen knob under platform to adjust degree of tilt. Turn knob clockwise to securely tighten, to ensure the platform will stay in position when in use.

### HOW TO ORDER REPAIR PARTS

When ordering repair parts or reporting problems, always give the following information:

<b>NAME OF ITEM</b> Adjustable Footrest	<b>MODEL NUMBER</b> 2098
<b>PART DESCRIPTION</b>	<b>PART NUMBER</b>

All parts listed may be ordered from your local Lyon Dealer or Lyon Workspace Products, LLC, Romeoville, IL 60446 800/323-0082 or 800/433-8488



KEY NO.	DESCRIPTION	QTY	PART NO.
1	Anti-Slip Strip	1	7782.01
2	Base	1	7889.01
3	Plug	2	7780.02
4	Snap Button	2	7831.02
5	Column	1	7890.01
6	3/8"-16 Knob	1	7839.01
7	Short Spacer	1	7894.01
8	Platform	1	7896.01
9	Mat	1	7892.02
10	3/8-16 x 12" Carriage Bolt	1	7829.01
11	3/8" Flat Washer	4	7838.01
12	Long Spacer	1	7893.01
13	3/8"-16 Fiber Hex Nut	2	7837.01
14	Adjustment Bracket	1	7892.00
15	3/8-16 x 3/4" Hex Head Bolt	2	7834.01

### WARRANTY

Lyon Workspace Products warrants all of its products to be free from manufacturing defects for the life of the product when it is used in accordance with manufacturer's specifications and/or operating instructions. The life of the product is ten years of single shift users, five years for two shift users, and two-and-a-half years for three shift users, for users not weighing more than 250 pounds.

During this period Lyon Workspace Products will repair or replace, at its option, any part found upon examination to be defective. Freight, labor or service charges for removal of defective parts and installation of replacement parts are not included. **All parts that are replaced due to wear, misuse or abuse are not covered by the warranty but replacement parts can be purchased from Lyon Workspace Products.**

This warranty applies to the original purchaser, and the purchaser's sole remedy under this warranty is limited to replacement or repair of the product and specifically excludes consequential, incidental or any other damages directly or indirectly resulting from a failure or loss of use of or by Lyon Workspace Products must accompany all returned merchandise.

To obtain warranty service, a return authorization by Lyon Workspace Products must accompany all returned merchandise.

Contact your Lyon Dealer or Lyon Workspace Products, LLC, 1400 Lakeview Drive, Romeoville, IL 60446, 800/323-0082 or 800/433-8488.