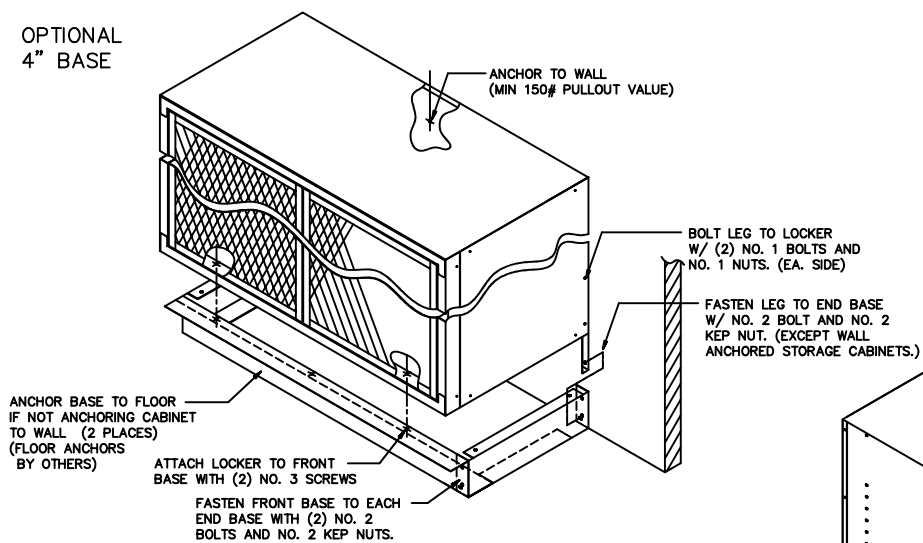
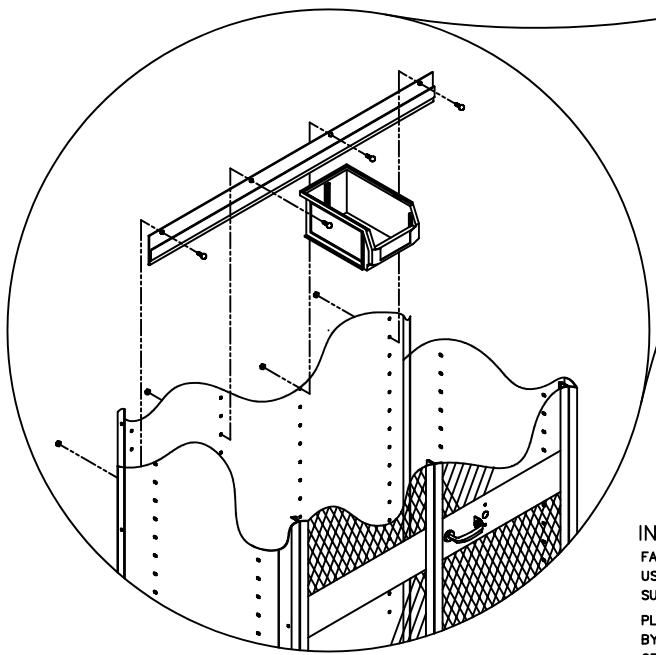
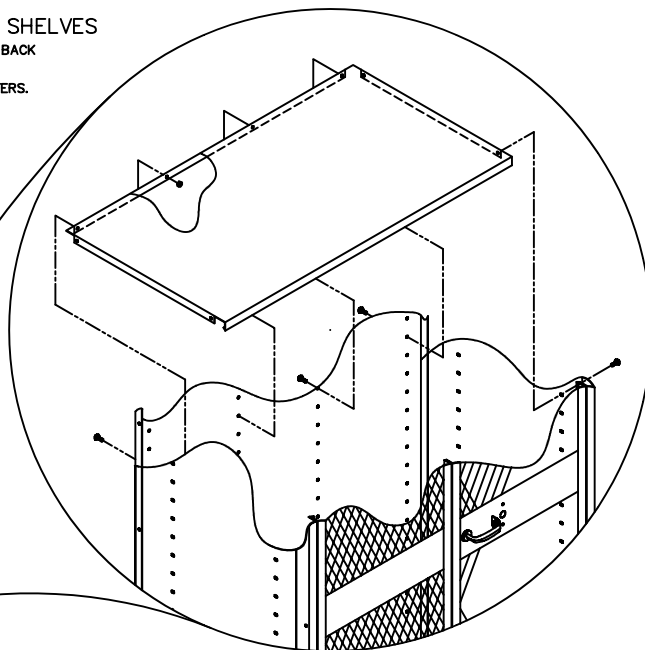


**OPTIONAL  
4" BASE**



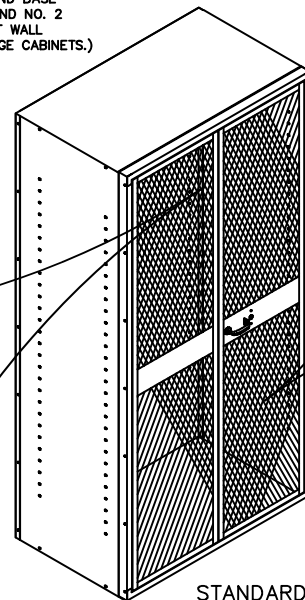
**INSTALLATION OF EXTRA SHELVES**

FASTEN SHELF TO CABINET SIDES AND BACK USING (8) NO. 1 BOLTS AND NUTS. SHELVES ARE ADJUSTABLE ON 2" CENTERS.

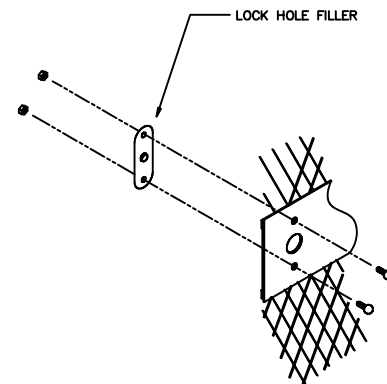


**INSTALLATION OF PLASTIC BINS**

FASTEN GALVANIZED BIN SUPPORT TO BACK USING (4) NO. 1 BOLTS AND NUTS. SUPPORTS ARE ADJUSTABLE ON 2" CENTERS. PLACE PLASTIC BINS ONTO BIN SUPPORTS BY PLACING BIN TANG INTO SLOT OF SUPPORT.



**STANDARD  
CABINET  
SHELL**



**INSTALLING THE  
LOCK HOLE FILLER**

ATTACH LOCK HOLE FILLER WITH (2) NO. 1 BOLTS AND NUTS AS SHOWN ABOVE

**HARDWARE:**

NO. 1 BOLT  
#10-24 x 3/8"  
NO. 1 NUT  
#10-24 HEX

NO. 2 BOLT  
#10-24 x 1/2"  
(SLOTTED)

NO. 3 SCREW  
#10-24 x 1 1/2"  
(SLOTTED)

NO. 2 NUT  
#10-24 KEP NUT

ASSEMBLY INSTRUCTIONS  
FOR ALL-WELDED  
VISIBLE STORAGE CABINET  
AND ACCESSORIES

**LYON** LYON WORKSPACE PRODUCTS, INC.  
P.O. BOX 871 AURORA, IL 60507  
REVISIONS  
2002-0002-01  
06-12-97

**5940-CA**

NOTE: RETAIN THIS INSTRUCTION SHEET FOR YOUR RECORDS