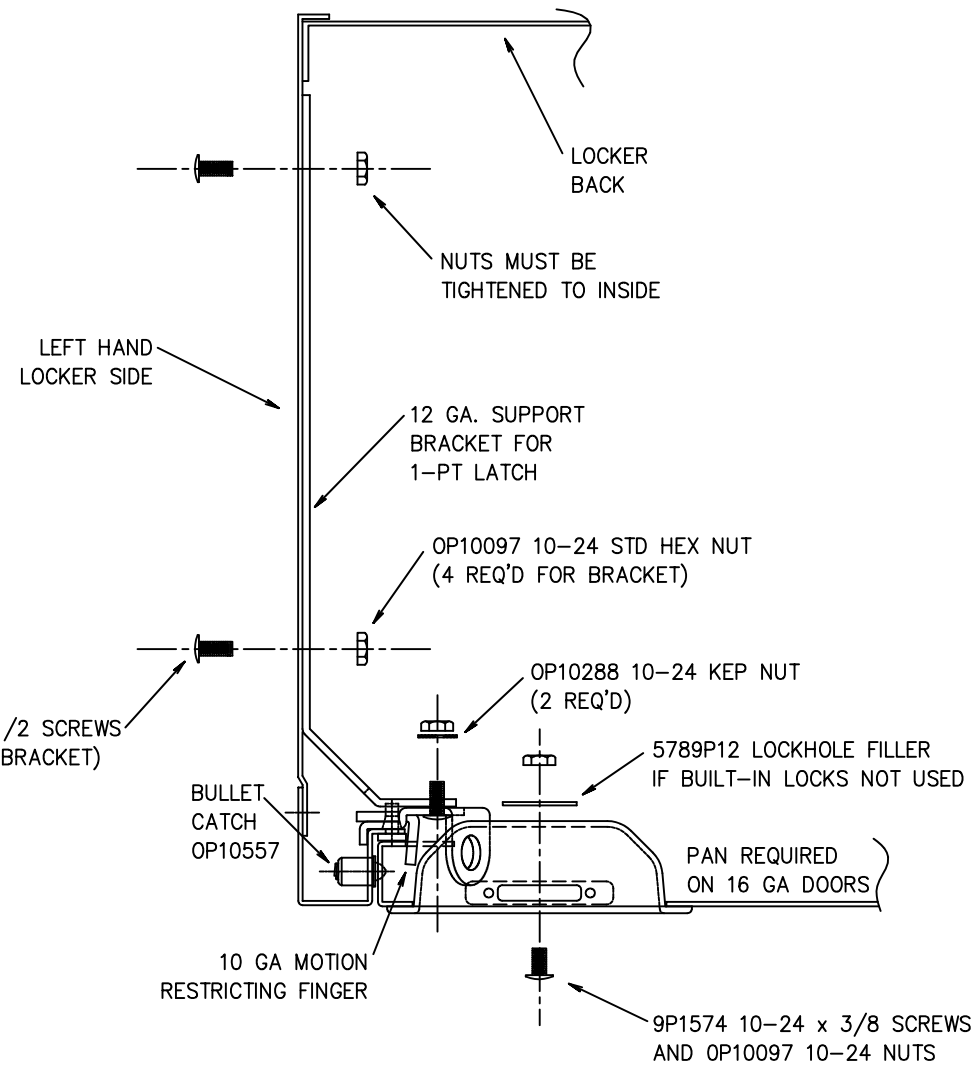
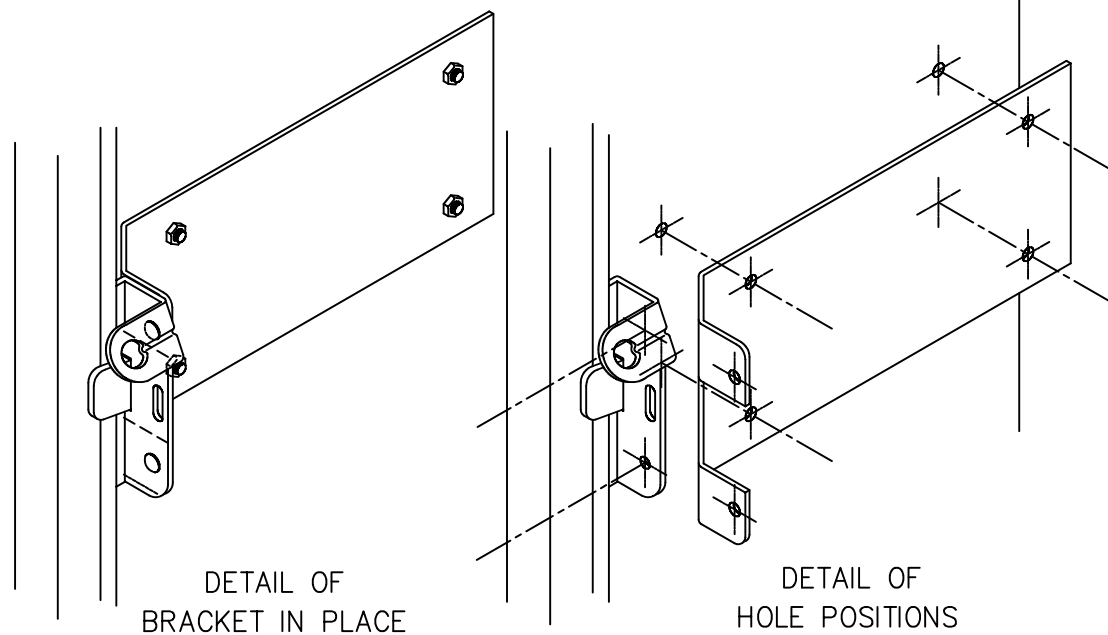
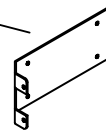


FIGURE 1
TYPICAL DETAIL
SINGLE ROW LOCKERS

BASIC NOTE:
SUPPORT BRACKET MUST
BE FASTENED TO EVERY
LEFT-HAND SIDE AT
EACH P.L.A.



PARTIAL PLAN

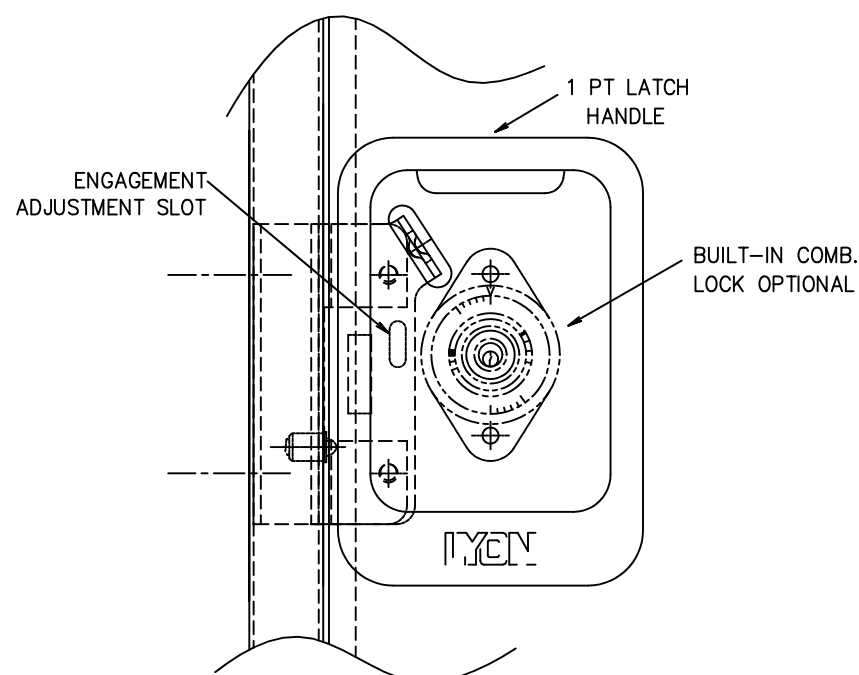


FIGURE 2
SINGLE POINT DETAIL

1st STEP -

COMPLETELY ASSEMBLE AND INSTALL
ALL SINGLE POINT LOCKERS PER
STANDARD ERECTION INSTRUCTIONS
SUPPLIED.

- 6225CA - SINGLE ROW FLAT TOP
- 6226CA - SINGLE ROW SLOPE TOP
- 6227CA - DOUBLE ROW FLAT TOP
- 6228CA - DOUBLE ROW SLOPE TOP

2nd STEP -

ATTACH SUPPORT BRACKET AS
SHOWN IN FIGURE 1 AND FIGURE 2.
USE (6) 9P866 10-24 x 1/2 SCREWS,
(2) OP10288 10-24 KEP NUTS, AND
(4) OP10097 10-24 NUTS, TIGHTEN
COMPLETELY.

IF BUILT-IN LOCKS ARE USED,
INSTALL THEM AT THIS TIME.

3rd STEP -

TEST DOOR TO MAKE SURE THE
HASP MOVES FREELY THROUGH THE
HANDLE SLOT. ADJUST HASP IF
NEEDED, ONLY AFTER BRACKET IS
FASTENED INTO PLACE.

TEST DOOR TO MAKE SURE THE
RESTRICTING FINGER CLEARS THE
DOOR ASSEMBLY DURING CLOSING.
ADJUST THE DOOR FLANGE FLANGE
IF NECESSARY.

IF USED W/ BUILT IN LOCK, PULL
TO TEST SECURITY OF DOOR WHEN
LOCKED. USE ADJUSTMENT SLOT TO
MAXIMIZE LOCK ENGAGEMENT FOR
ADEQUATE SECURITY.

IMPORTANT NOTE:

ALL NUTS MUST BE
TIGHTENED TO INSIDE
OF EACH LOCKER AS
SHOWN IN THE PARTIAL
PLAN VIEW.

INSTRUCTIONS FOR
INSTALLING SINGLE POINT
LOCKER HASP BRACKET

DRG. NO.	6218-CA	DATE	11-1-95
LYON		LYON WORKSPACE PRODUCTS, P.O. BOX 671 AURORA, ILLINOIS 60507	
DRAWN BY	ES	REVISED	
REVISOR		ECN# E-102198-01	
CHECKED BY		ECN# E-010601-2	