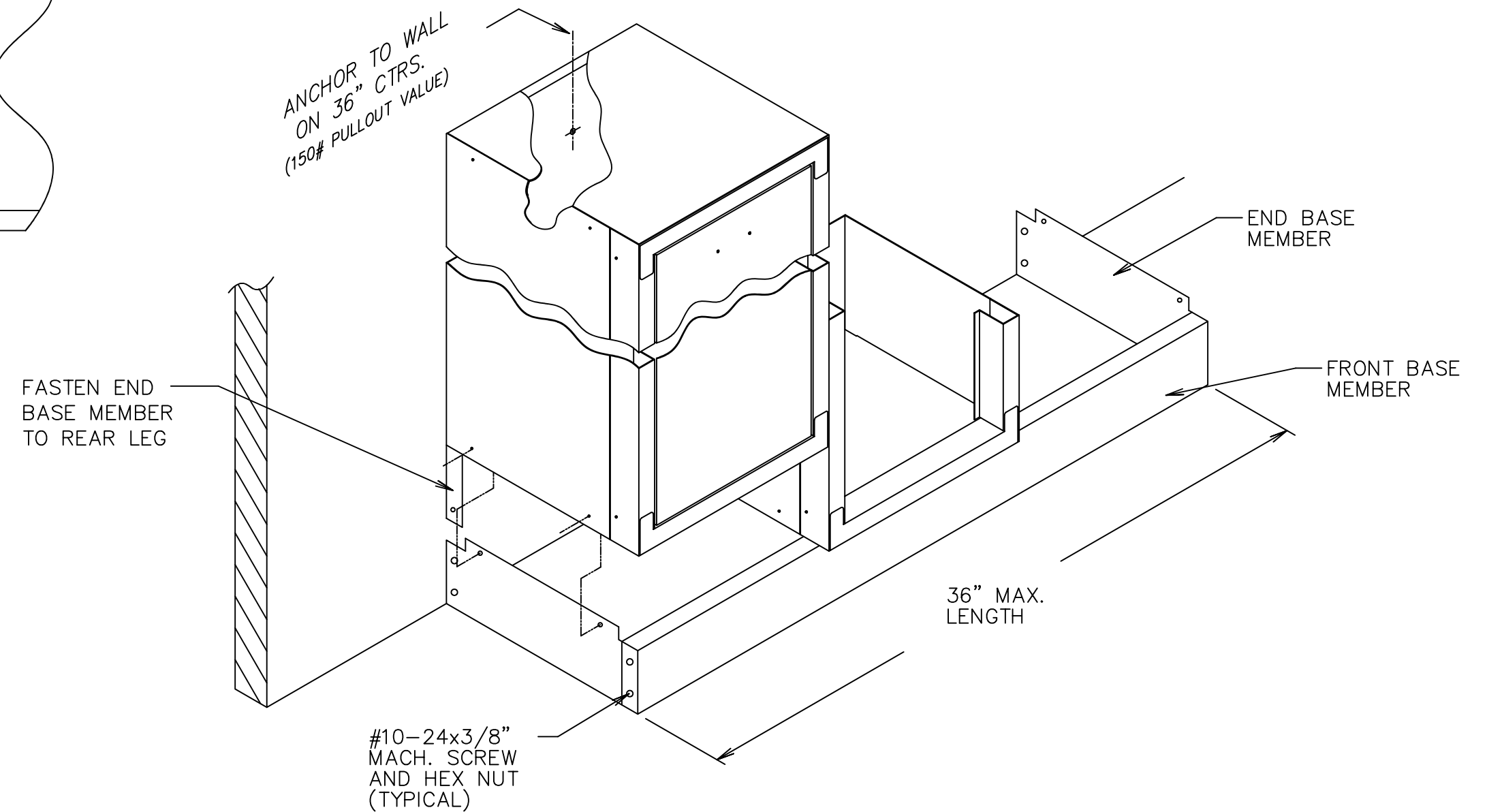
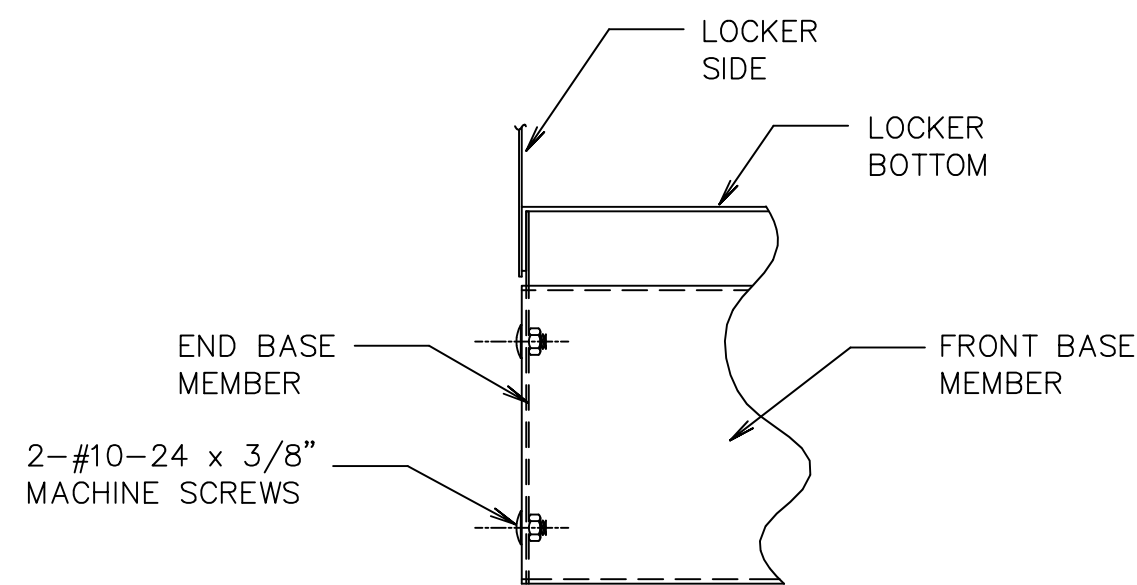


NOTE: THIS STYLE OF BASE IS DESIGNED FOR USE ON WALL-ANCHORED SINGLE ROW APPLICATIONS ONLY.

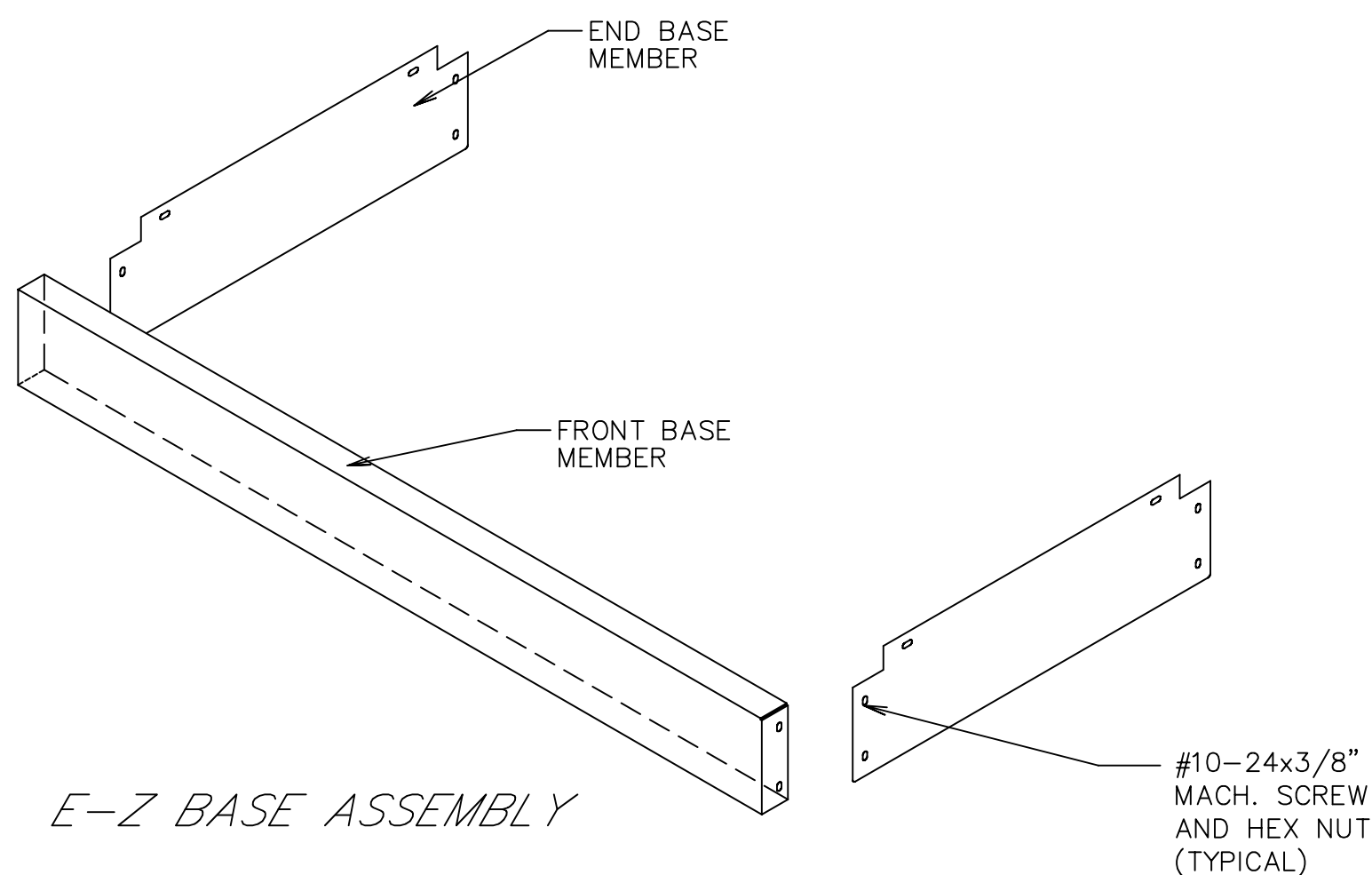
- 1.) FASTEN END BASE MEMBER INSIDE EACH END OF FRONT BASE WITH (2) #10-24 x 3/8" SCREWS AND HEX NUTS. (SEE DETAIL "A").
- 2.) PLACE LOCKER ON BACKSIDE, AND ATTACH BASE ASSEMBLY TO LOCKER BOTTOM PUNCHING, AND REAR LEG. (SEE PICTURE AT RIGHT)
- 3.) STAND LOCKER UPRIGHT AND SET INTO PLACE. ANCHOR LOCKER SECTION TO WALL WITH 150# MIN. PULLOUT VALUE ANCHORS.
- 4.) REPEAT FOR NEXT SECTION OF LOCKERS AND SLIDE ASSEMBLY FLUSH AGAINST PREVIOUS SECTION TO ANCHOR. IF DESIRED, ADJACENT SECTIONS MAY BE FASTENED TOGETHER BY BOLTING THROUGH THE LOCKER SIDES.



*E-Z BASE ASSEMBLY FOR SINGLE ROW LOCKERS*



*DETAIL "A"*



*E-Z BASE ASSEMBLY*

ASSEMBLY INSTRUCTIONS FOR E-Z BASE	
<b>LYON</b> LYON WORKSPACE PRODUCTS P.O. BOX 671 AURORA, IL 60507	
9107-AA	SHEET # <b>2</b>
REVISED ECN# E-080797-01 ECN# E-031098-01	