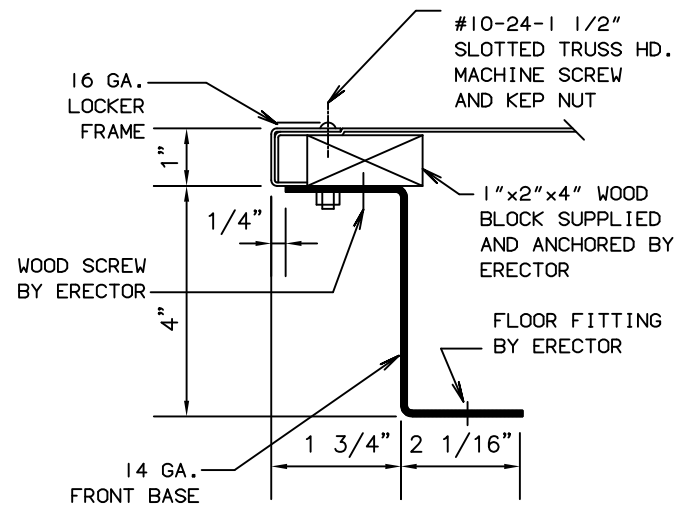


GENERAL DETAILS

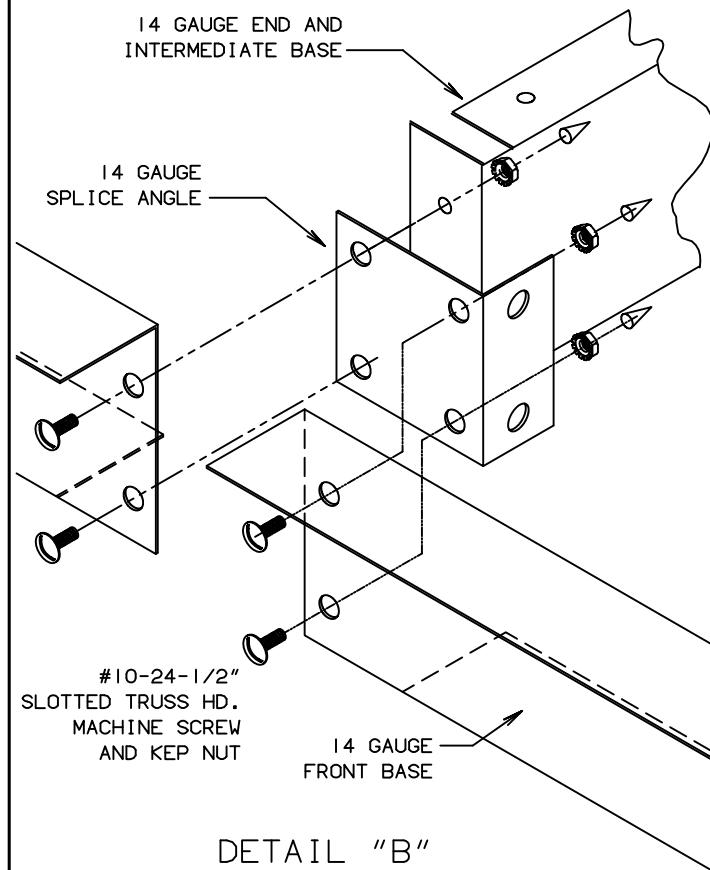
FRONT BASES FURNISHED 72" LONG
ERECTOR TO CUT AS REQUIRED

WARNING

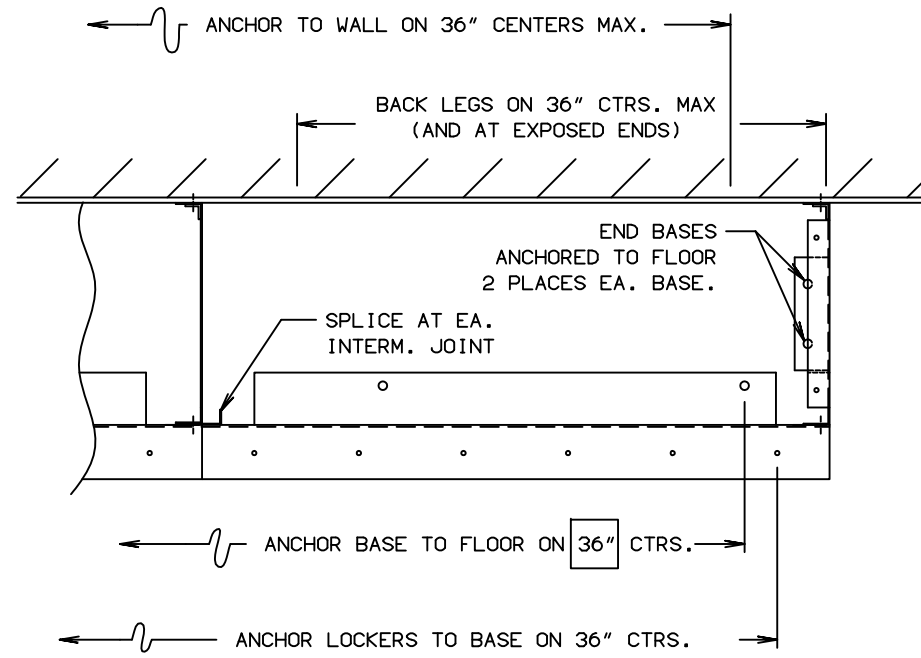
WOOD SCREWS BY ERECTOR MUST HAVE A MIN PULLOUT VALUE OF 120#. AND FLOOR ANCHORS MUST HAVE A PULLOUT VALUE OF 190# MIN.



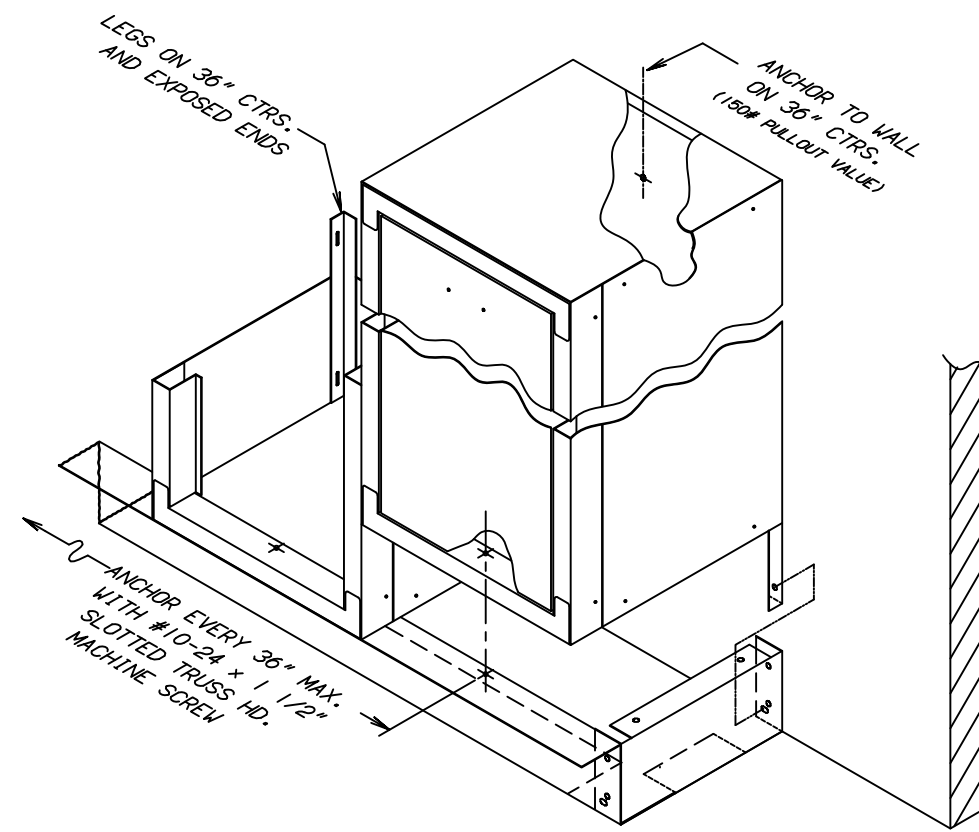
DETAIL "A" -FRONT BASE-



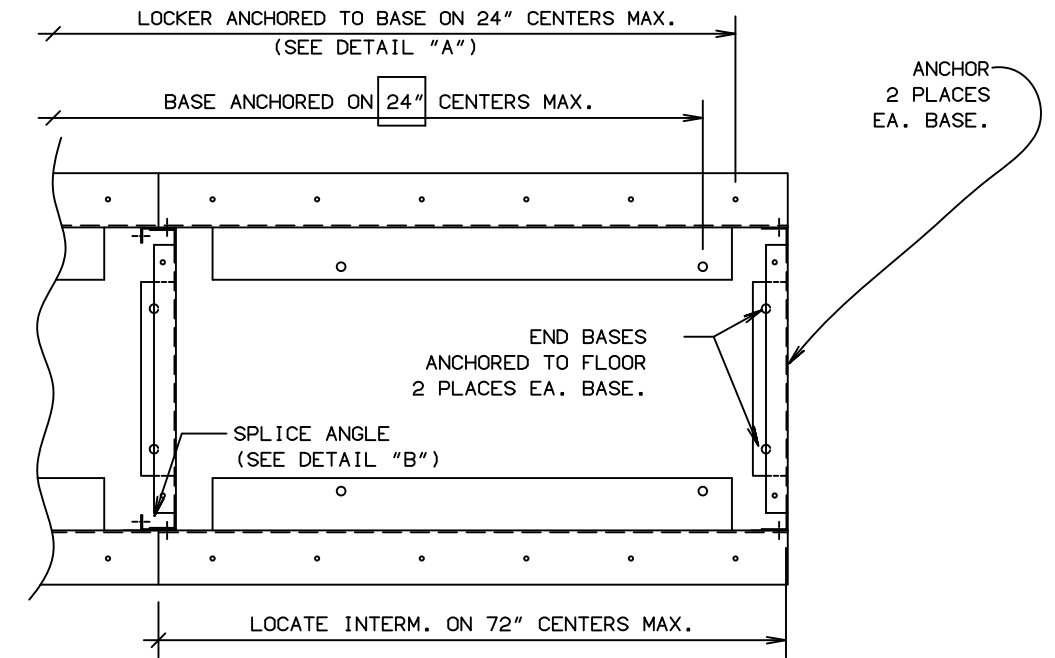
DETAIL "B"



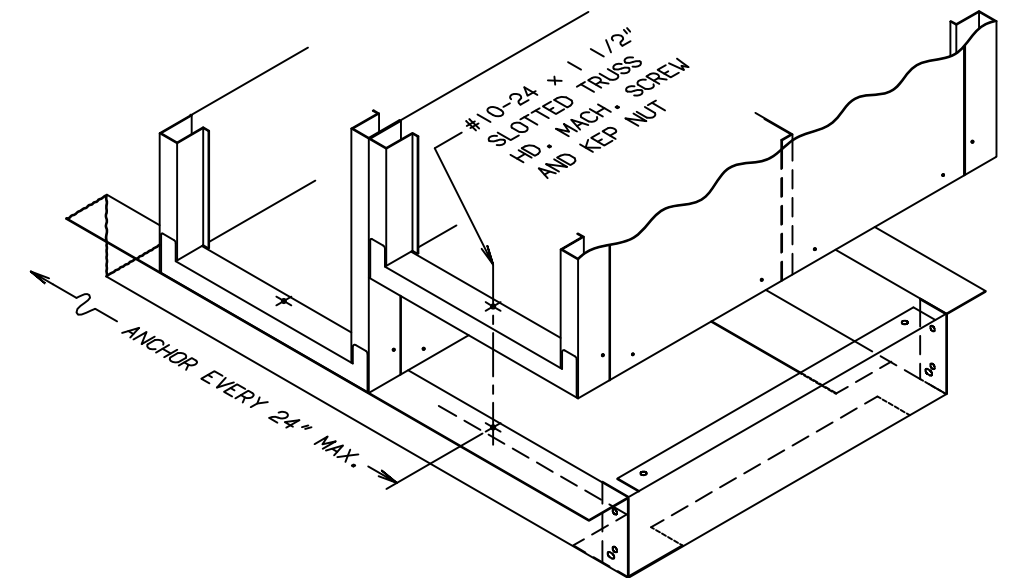
PARTIAL PLAN VIEW OF "Z" BASE



"Z" BASE ASSEMBLY FOR SINGLE ROW LOCKERS



PARTIAL PLAN VIEW OF "Z" BASE



"Z" BASE ASSEMBLY FOR DOUBLE ROW LOCKERS

| | |
|-------------------------|--|
| ASSEMBLY INSTRUCTIONS | |
| FOR | |
| Z-BASE WITH CLOSED ENDS | |
| LYON | LYON WORKSPACE PRODUCTS P.O. BOX 671 AURORA, IL 60507 |
| 9108-AA | SHEET # 1 |
| | REVISED ECN# E-060397-01 ECN# E-031098-01 ECN# E-090124-1 |