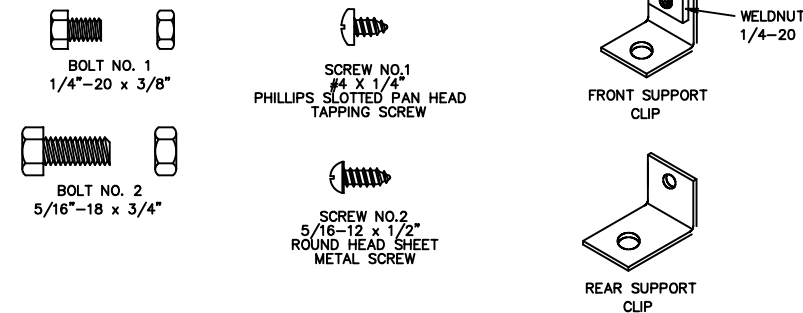


## GENERAL INSTRUCTIONS

- BEFORE INSTALLING MODULAR DRAWER UNITS, IT MUST BE CERTAIN THAT THE UPRIGHTS AND THE SHELVES ARE LEVEL. IF NOT THE DRAWERS WILL NOT OPERATE CORRECTLY.
- EACH UNIT MUST HAVE A SHELF ABOVE AND BELOW THE UNIT. TWO UNITS IN ONE SHELVING SECTION MUST BE SEPARATED BY A SHELF. ONE 36" HIGH UNIT REQUIRES A SPACE OF 40 1/2" BETWEEN THE TOPS OF SHELVES ABOVE AND BELOW UNIT.
- MODULAR DRAWERS HAVE HEIGHTS, AT THE FRONT, 3", 4", 5", 6", 7", 8", 9", 10", 11", 12", 13". ANY COMBINATION OF DRAWER HEIGHTS TOTALING 18" OR 36" MAY BE USED IN A UNIT.

### HARDWARE



## RECOMMENDED ANCHORS

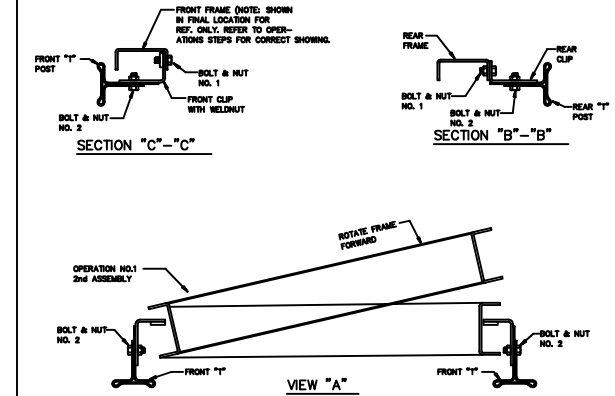
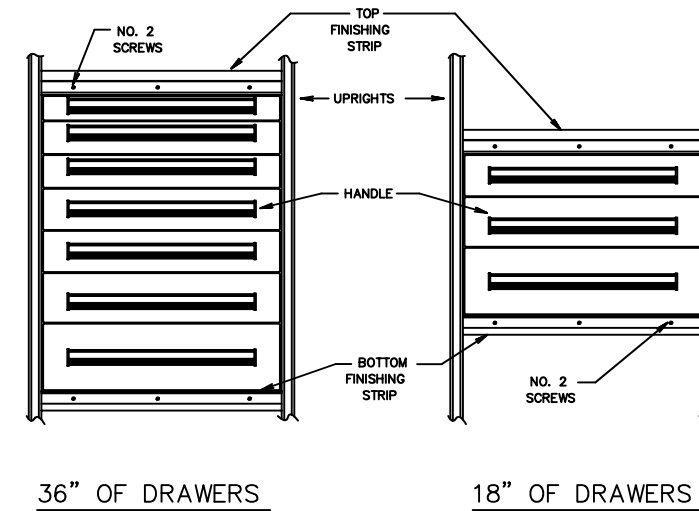
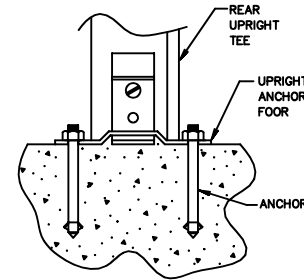
(NOT FURNISHED BY LYON)

ANCHORS FOR MASONRY:	MIN. PULL OUT VALUE
-STUD ANCHOR 1/4" DIA. MIN. EMBEDMENT 1 5/8"	2660#
-EXPANSION SCREW 5/16" DIA. MIN. EMBEDMENT 1 1/4"	2080#
-EXPANSION SCREW 5/4" DIA. MIN. EMBEDMENT 1 1/4"	2331#

ANCHORS FOR WOOD FLOORS:  
-REFER CONSTRUCTION DETAILS TO  
AURORA ENGINEERING FOR METHODS.

### NOTES:

- ANCHORS MUST BE USED WITH LYON UPRIGHT ANCHOR FOOT CAT # 8857 ON REAR "T" POSTS.
- FOUR ANCHORS REQUIRED PER FOOT ON REAR POSTS.
- TO KEEP SHELVING LEVEL, SHIMS OR UPRIGHT ANCHOR FOOT PLATES WILL BE REQUIRED AT FRONT "T" POSTS.



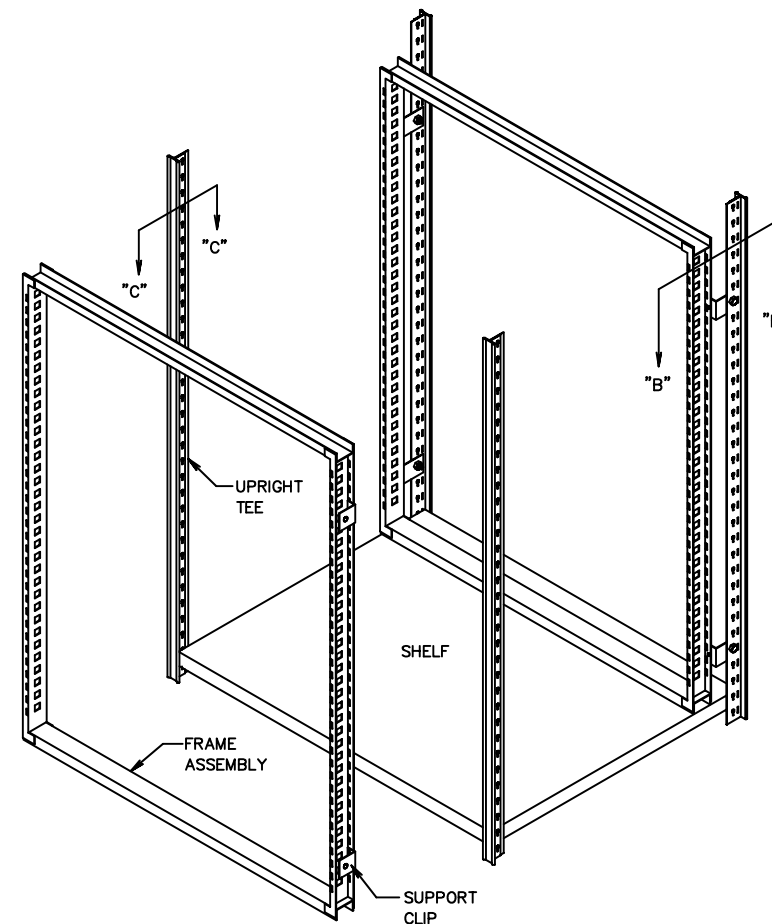
## ASSEMBLY OPERATIONS

### OPERATION NO. 1

- AFTER READING THE GENERAL INSTRUCTIONS, PLACE A FRAME AT THE REAR POSITION IN SHELVING. BOLT THE SUPPORT CLIPS TO THE FRAME WITH BOLT NUMBER 1, AND TO THE UPRIGHT WITH BOLT NUMBER 2.

NOTE: TWO SUPPORT CLIPS ARE USED ON EACH TEE FOR AN 18" UNIT. THREE SUPPORT CLIPS ARE USED ON EACH TEE FOR A 36" UNIT. 18" UNIT— APPROX. 6" FROM TOP AND BOTTOM OF FRAME ASSY. 36" UNIT— APPROX. 6" FROM TOP AND BOTTOM OF FRAME ASSY. AND AN ADDITIONAL ONE IN THE CENTER.

- TO INSTALL FRONT FRAME INTO SHELVING, FIRST ATTACH THE REQUIRED NUMBER OF FRONT CLIPS (CLIPS W/ WELD NUTS) TO ONE SIDE OF TEE POST. MAKE SURE THAT THE HOLES SELECTED IN THE UPRIGHT WILL ALIGN WITH HOLES IN THE FRAME. NOTE THAT THE WELD NUTS ON CLIPS ARE FOR THE DRAWER FRAME ATTACHMENT; (REFER TO SECTION "C"- "C") BOLT CLIPS TO UPRIGHT WITH BOLT & NUT #2. DO NOT TIGHTEN COMPLETELY.
- NEXT, INSTALL FRAME INTO SHELVING. POSITION THE FRAME'S VERTICAL CHANNEL OVER THE SUPPORT CLIPS THAT ARE ALREADY ATTACHED TO THE UPRIGHT; (REFER TO VIEW "A" AND SECTION "F"- "F".) THE REAR FLANGE OF THE CHANNEL FRAME WILL BE OUTSIDE OF THE CLIPS. ROTATE FRAME FORWARD. BEFORE FRAME IS ALIGNED ON THE OPPOSITE SIDE, INSTALL SUPPORT CLIP TO THE TEE POST W/ BOLT & NUT #2. MAKE SURE THE SHORT FLANGE (W/ WELD NUT) IS BETWEEN OUT TURNED FLANGES ON THE FRAME. BE SURE THAT THE HOLES SELECTED ON TEE POST ARE IN LINE WITH HOLES ON THE FRAME. DO NOT TIGHTEN COMPLETELY.
- FINALLY, ANCHOR FRAME TO THE FRONT CLIPS ON BOTH SIDES WITH BOLT #2. SCREW THE BOLT INTO THE WELD NUTS. ALIGN FRAME AND TIGHTEN ALL FASTENERS AT THIS TIME.



## ASSEMBLY INSTRUCTIONS FOR MSS II MODULAR DRAWERS IN 30" WIDE LYON STEEL SHELVING

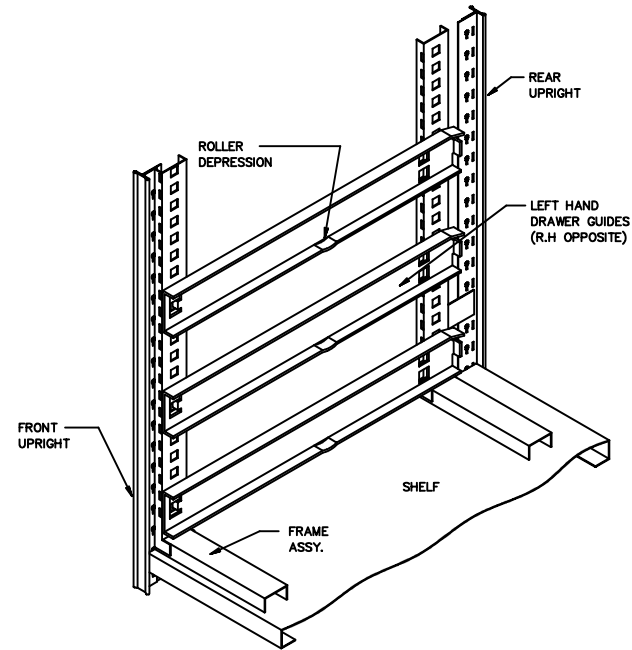
LYON LYON WORKSPACE PRODUCTS, INC.  
P.O. BOX 671 AURORA, IL 60507

DRG. BY: LAR  
REVISIONS  
CORRECTED  
DETAIL  
12-16-94

9113-MSSCA

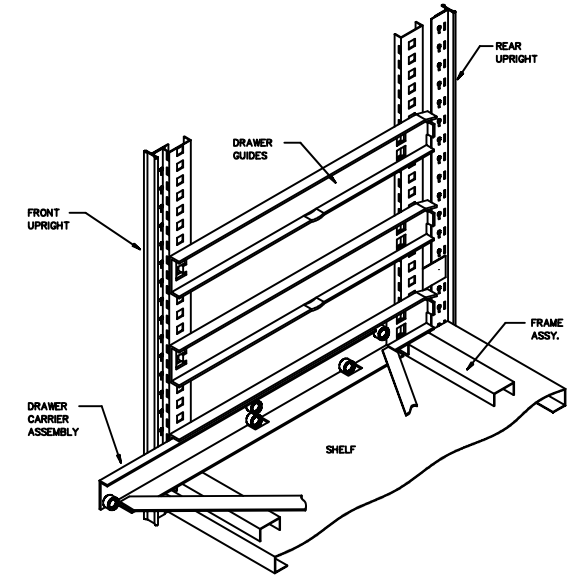
OPERATION NO. 2

- 1.) INSERT BOTH L.H. & R.H. DRAWER GUIDES FOR THE BOTTOM DRAWER THE REAR GUIDE TANGS FIT IN THE BOTTOM FRAME SLOTS; THE FRONT TANG FITS IN THE SECOND SLOT. ROLLER DEPRESSIONS ARE ON THE BOTTOM WHEN IN PLACE.
- 2.) CONTINUE DRAWER GUIDE INSTALLATION. THE SPACING IS DETERMINED BY THE HEIGHT OF THE DRAWER FRONT IMMEDIATELY BELOW. THEREFORE, COUNT ONE OPEN HOLE FOR EACH INCH OF HEIGHT OF THE DRAWER FRONT BELOW TO LOCATE THE HOLES FOR THE NEXT PAIR OF GUIDES ABOVE.
- 3.) TO LOCK GUIDES IN PLACE, INSERT A SCREWDRIVER AND SLIGHTLY BEND THE TAB THROUGH THE FRAME AS SHOWN. (SEE DETAIL)



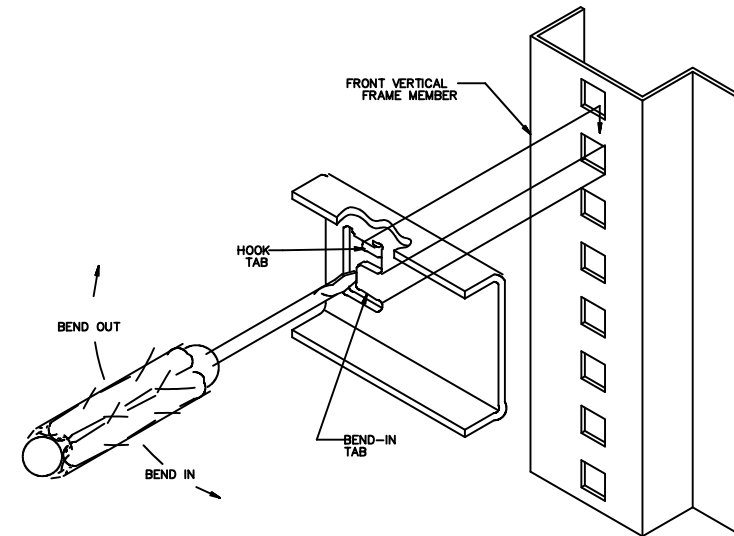
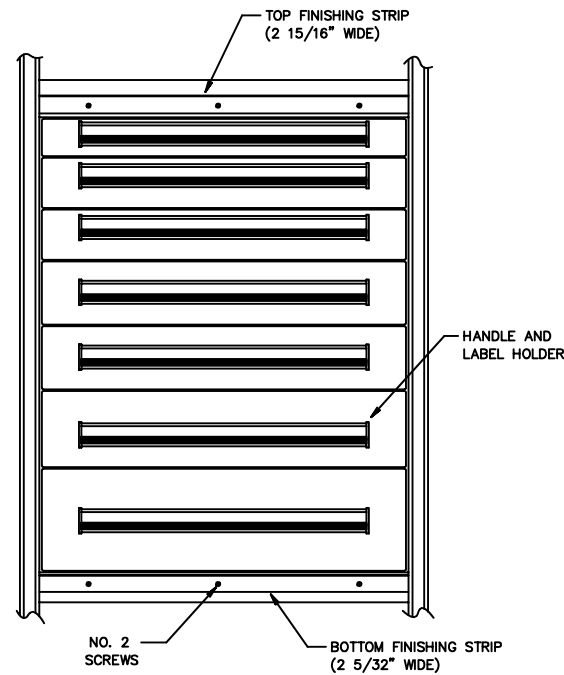
OPERATION NO. 3

- 1.) INSERT A DRAWER CARRIER INTO THE FIRST OR BOTTOM SET OF DRAWER GUIDES.
- 2.) CONTINUE UNTIL ALL DRAWER CARRIERS ARE IN PLACE.



OPERATION NO. 4

- 1.) ATTACH TOP & BOTTOM FINISHING STRIPS TO SHELVES USING NO.2 SCREWS.
- NOTE: TOP STRIP IS BIGGER
- 2.) INSERT DRAWERS STARTING AT BOTTOM.



DETAIL SHOWING HOW TO BEND TABS