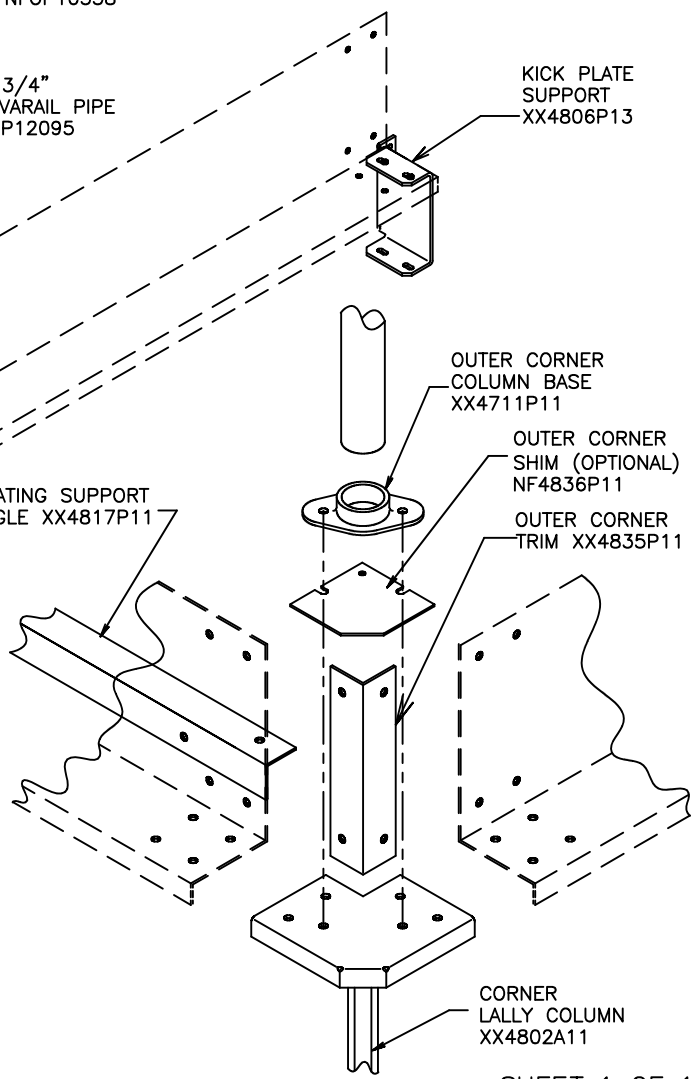


BILL OF MATERIALS		
QTY	DESCRIPTION	XX9321
1	CORNER LALLY COLUMN	XX4802A11
1	KICK PLATE SUPPORT	XX4806P13
1	GRATING SUPPORT ANGLE	XX4817P11
2	38 1/2" GALVARAIL PIPE	NF9P120914
1	46 3/4" GALVARAIL PIPE	NF9P12095

BILL OF MATERIALS		
QTY	DESCRIPTION	XX9322
1	OUTER CORNER TRIM	XX4835P11
1	OUTER CORNER SHIM	NF4836P11
1	OUTER CORNER COLUMN BASE	XX4711P11
4	LALLY COLUMN BASE SHIM	NF4728P11
2	1 1/4" I.D. PIPE ELBOW	NFOP10358
1	1 1/4" I.D. PIPE CAP	NFOP10431



SHEET 1 OF 1

**MISSING PARTS OR IN NEED  
OF  
ASSEMBLY ASSISTANCE?**

Contact us direct for fast friendly service (800) 433-8488

Int'l calls (630) 892-8941 | WEB: WWW.LYONWORKSPACE.COM | Fax (800) 367-6681

ASSEMBLY INSTRUCTIONS  
FOR LYON TWO LEVEL  
8000 SERIES SHELVING

**LYON** LYON WORKSPACE PRODUCTS  
P.O. BOX 671  
AURORA, IL 60507

9228

OUTER CORNER HANDRAIL