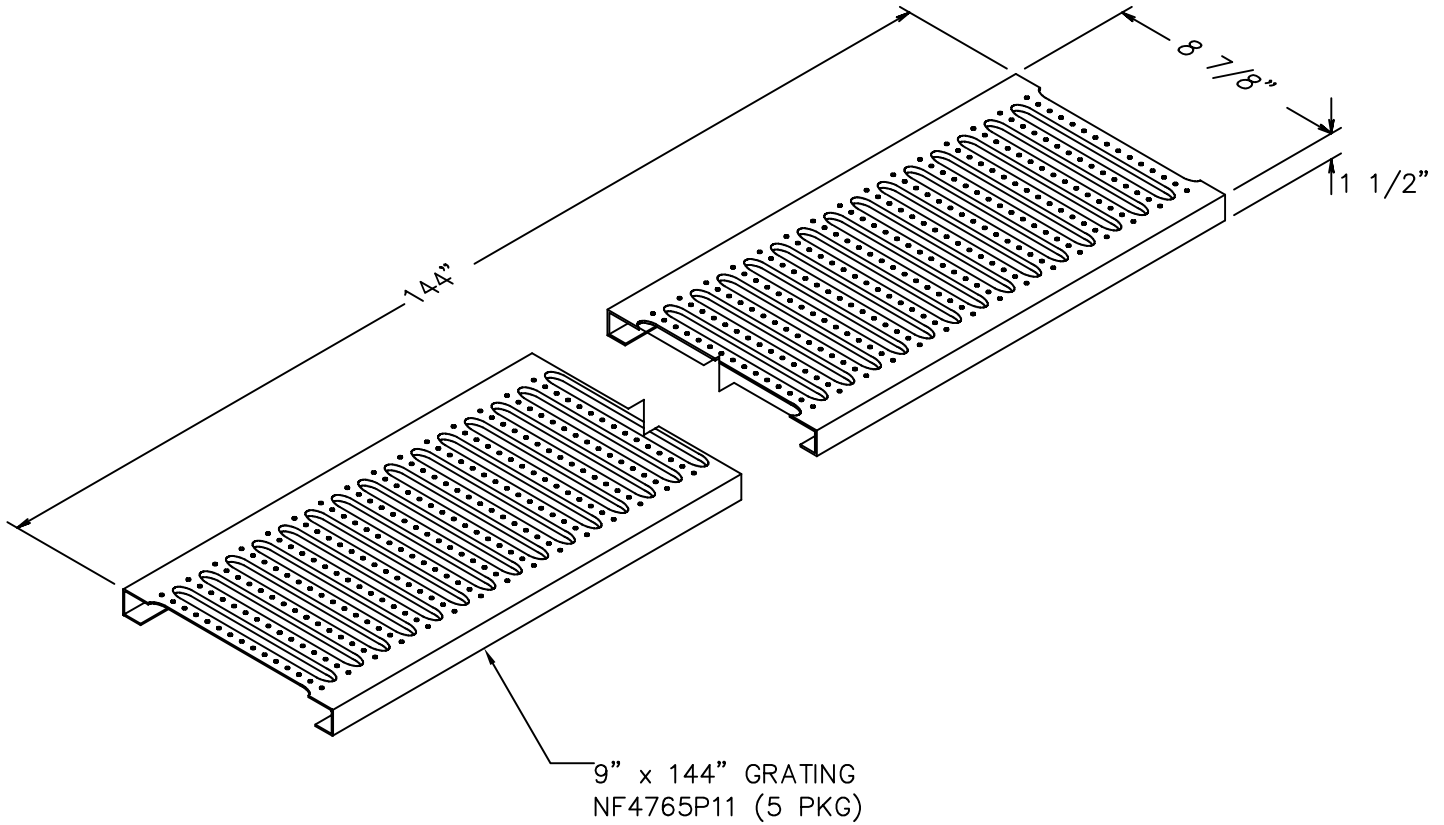


BILL OF MATERIALS		
QTY	DESCRIPTION	NF9250
5	GRATING 9 X 144"	NF4765P11




SHEET 1 OF 1

**MISSING PARTS OR IN NEED  
OF  
ASSEMBLY ASSISTANCE?**

Contact us direct for fast friendly service (800) 433-8488

Int'l calls (630) 892-8941 | WEB: WWW.LYONWORKSPACE.COM | Fax (800) 367-6681

ASSEMBLY INSTRUCTIONS  
FOR LYON TWO LEVEL  
8000 SERIES SHELVING

**LYON**  LYON WORKSPACE PRODUCTS  
P.O. BOX 671  
AURORA, IL 60507

**9250**

**BULK GRATING**