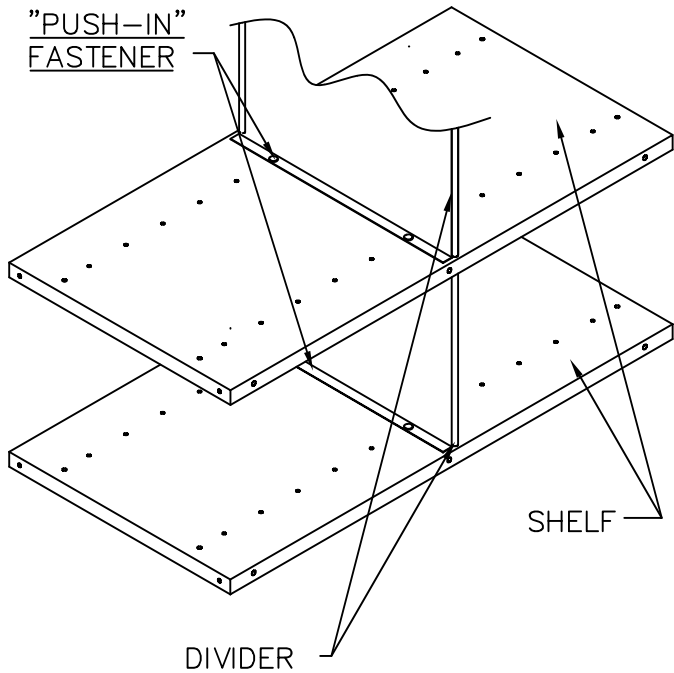
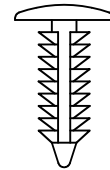
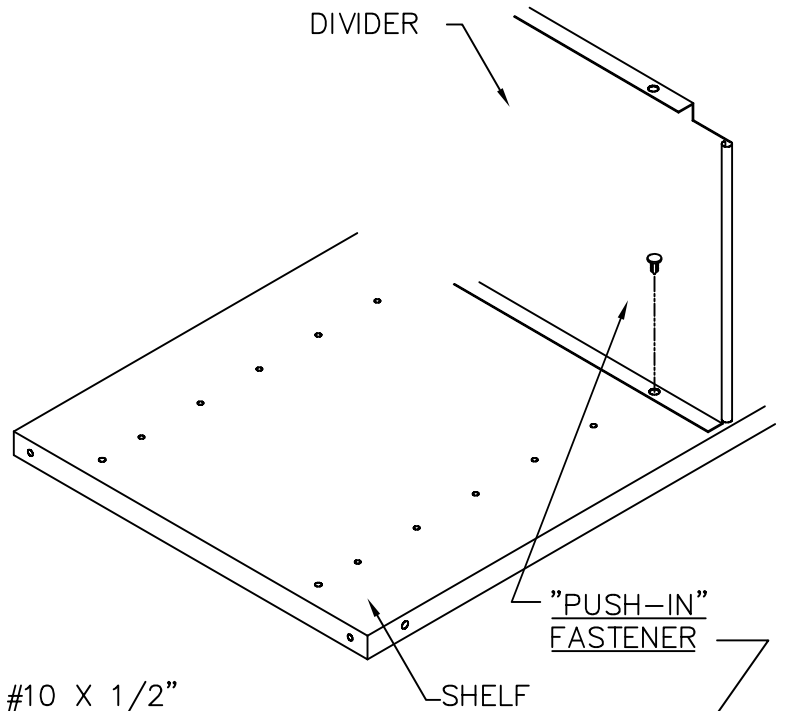
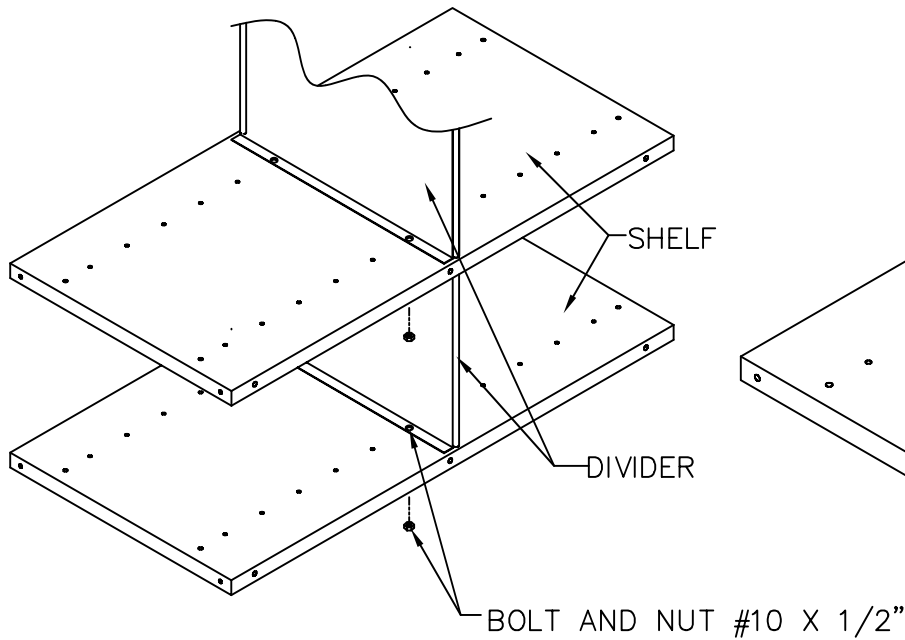


# SHELF DIVIDER



ANY SHELF OPENING MAY BE DIVIDED INTO BINS BY THE INTSALLATION OF DIVIDERS. TO INSTALL DIVIDERS, PLACE THEM IN POSITION BETWEEN THE SHELVES AND ALIGN THE HOLES IN THE DIVIDER FLANGES WITH THE HOLES IN THE SHELVES. ATTACH THE DIVIDERS TO THE SHELVES WITH "PUSH-IN" FASTENERS AS ILLUSTRATED.

WHERE DIVIDERS ARE TO BE INSTALLED IN LINE VERTICALLY, USE THE "PUSH-IN" FASTENER TO ATTACH THE TWO DIVIDERS TO THE COMMON SHELF.

DIVIDERS MAY ALSO BE BOLTED TO SHELVES AS SHOWN.

SHEET 1 OF 1

**MISSING PARTS OR IN NEED  
OF  
ASSEMBLY ASSISTANCE?**

Contact us direct for fast friendly service (800) 433-8488

Int'l calls (630) 892-8941 | WFR · WWW.IYONMETAL.COM | Fax (800) 367-6681

ASSEMBLY INSTRUCTIONS  
FOR 8000 SERIES  
SHELVING

**9304DA  
SHELF DIVIDER**