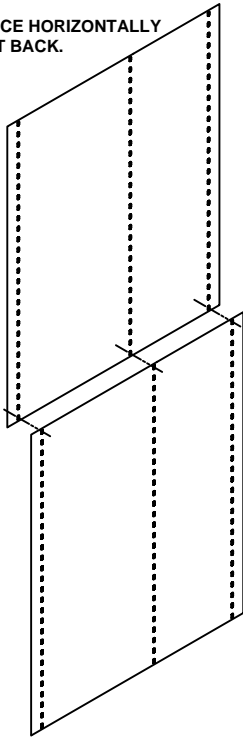


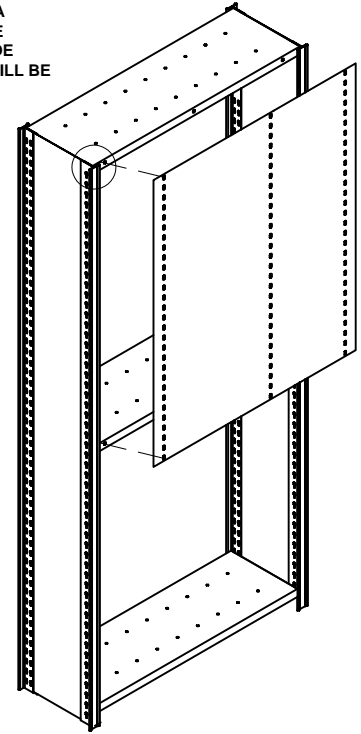
# 8000 SERIES BACKS

## HORIZONTAL BACK ASSEMBLY

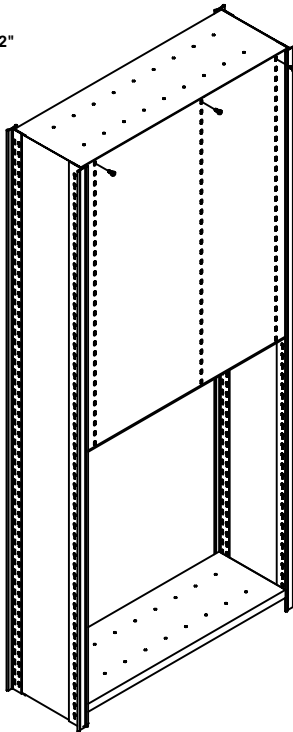
2-PIECE HORIZONTALLY  
SPLIT BACK.



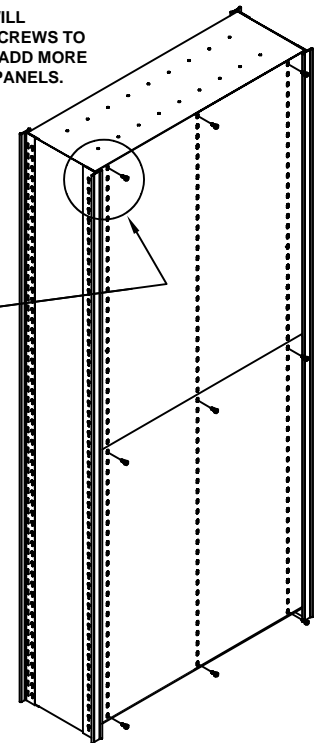
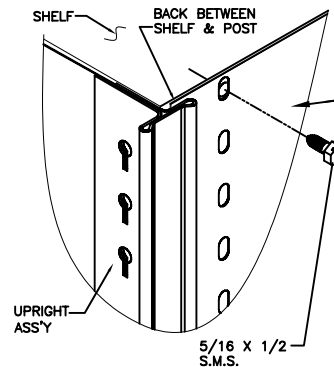
1. TO INSTALL, SLIDE ONE SIDE OF A  
HALF BACK SECTION BETWEEN THE  
BACK OF THE SHELF AND THE INSIDE  
OF THE TEE POST. TOP OF BACK WILL BE  
FLUSH WITH TOP OF SHELF.



2. ONCE THE HALF SECTION IS IN PLACE  
AND THE HOLES LINE UP, ATTACH BACK  
TO SHELF FLANGE WITH THREE 5/16" X 1/2"  
SHEET METAL SCREWS.  
DO NOT TIGHTEN THE SCREWS FOR  
NOW (JUST ENOUGH TO HOLD THE  
PANEL IN PLACE UNTIL THE OTHER  
SIDE IS ASSEMBLED).



3. ASSEMBLE THE REMAINING HALF BACK  
BY REPEATING STEP 1. THE HALF BACKS WILL  
OVERLAP. USE 5/16" X 1/2" SHEET METAL SCREWS TO  
SECURE THE BACKS IN PLACE AS SHOWN. ADD MORE  
SCREWS AS REQUIRED TO EVEN OUT THE PANELS.



**IN NEED OF  
ASSEMBLY ASSISTANCE?**

Contact us direct for fast friendly service (800) 433-8488

Int'l calls (630) 892-8941 | WEB: [WWW.LYONWORKSPACE.COM](http://WWW.LYONWORKSPACE.COM) | Fax (800) 367-6681

ASSEMBLY INSTRUCTIONS  
FOR LYON SINGLE LEVEL  
8000 SERIES SHELVING

**LYON** LYON WORKSPACE PRODUCTS  
P.O. BOX 671  
AURORA, IL 60507

**9306-DA**