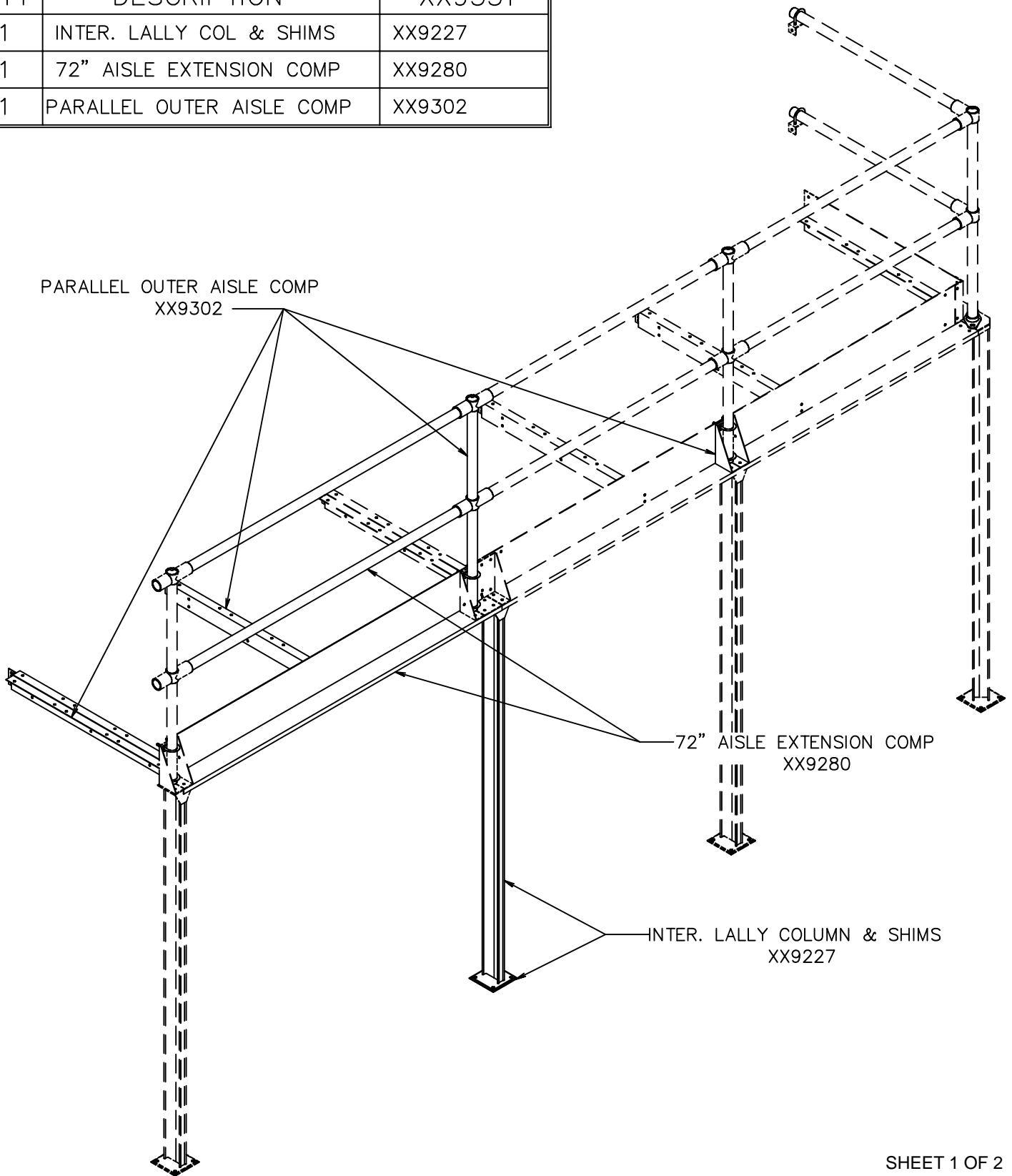


# BILL OF MATERIALS

QTY	DESCRIPTION	XX9331
1	INTER. LALLY COL & SHIMS	XX9227
1	72" AISLE EXTENSION COMP	XX9280
1	PARALLEL OUTER AISLE COMP	XX9302



SHEET 1 OF 2

## MISSING PARTS OR IN NEED OF ASSEMBLY ASSISTANCE?

Contact us direct for fast friendly service (800) 433-8488  
 Int'l calls (630) 892-8941 | WEB: [WWW.LYONWORKSPACE.COM](http://WWW.LYONWORKSPACE.COM) | Fax (800) 367-6681

ASSEMBLY INSTRUCTIONS  
 FOR 8000 SERIES TWO  
 LEVEL SHELVING

**LYON** LYON WORKSPACE PRODUCTS  
 P.O. BOX 671  
 800 8001 AURORA, IL 60507

**9331**  
 PARALLEL OUTER AISLE

**BILL OF MATERIALS**

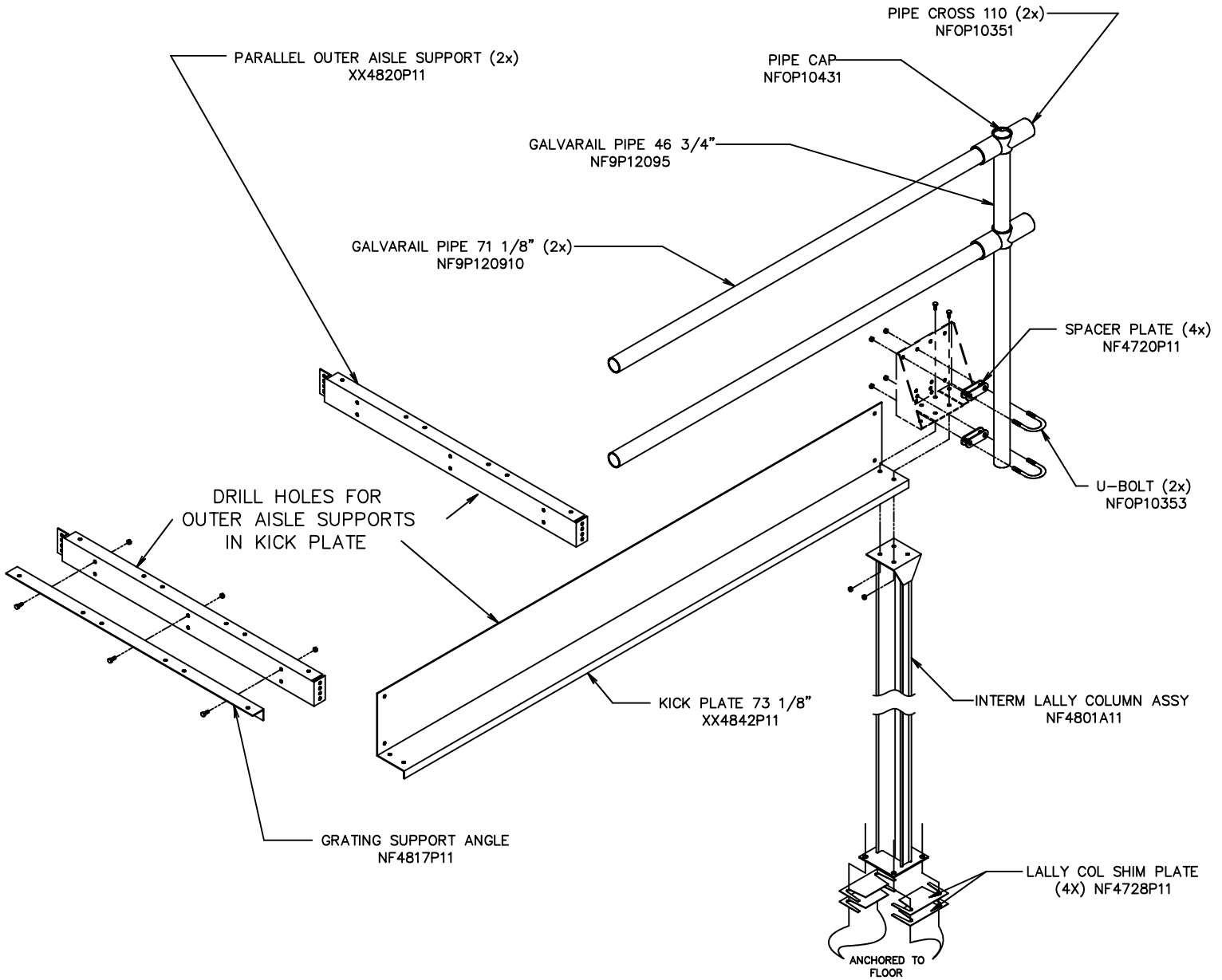
QTY	DESCRIPTION	XX9227
4	LALLY COL BASE SHIM PLATE	NF7428P11
1	INTERM LALLY COLUMN ASSY	NF4801A11

**BILL OF MATERIALS**

QTY	DESCRIPTION	XX9280
2	GALVARAIL PIPE 71 1/8"	NF9P15614
1	KICK PLATE 73 1/8"	XX4842P11

**BILL OF MATERIALS**

QTY	DESCRIPTION	XX9302
1	GRATING SUPPORT ANGLE 36	NF4817P11
1	GALVARAIL PIPE 46 3/4"	NF9P12095
2	PARALLEL OUTER AISLE SUPP	XX4820P11
1	HANDRAIL COLUMN SUPPORT	XX4832P11
2	1 1/4 PIPE CROSS 110	NFOP10351
2	5/16-18 X 2 3/8 "U" BOLT	NFOP10353
1	PIPE CAP	NFOP10431
4	SPACER PLATE	NF4720P11



SHEET 2 OF 2

**MISSING PARTS OR IN NEED  
OF  
ASSEMBLY ASSISTANCE?**

Contact us direct for fast friendly service (800) 433-8488  
Int'l calls (630) 892-8941 | WEB: WWW.LYONWORKSPACE.COM | Fax (800) 367-6681

ASSEMBLY INSTRUCTIONS  
FOR 8000 SERIES TWO  
LEVEL SHELVING

**LYON**  LYON WORKSPACE PRODUCTS  
P.O. BOX 671  
800 8001 AURORA, IL 60507  
**9331 PARALLEL  
OUTER AISLE**