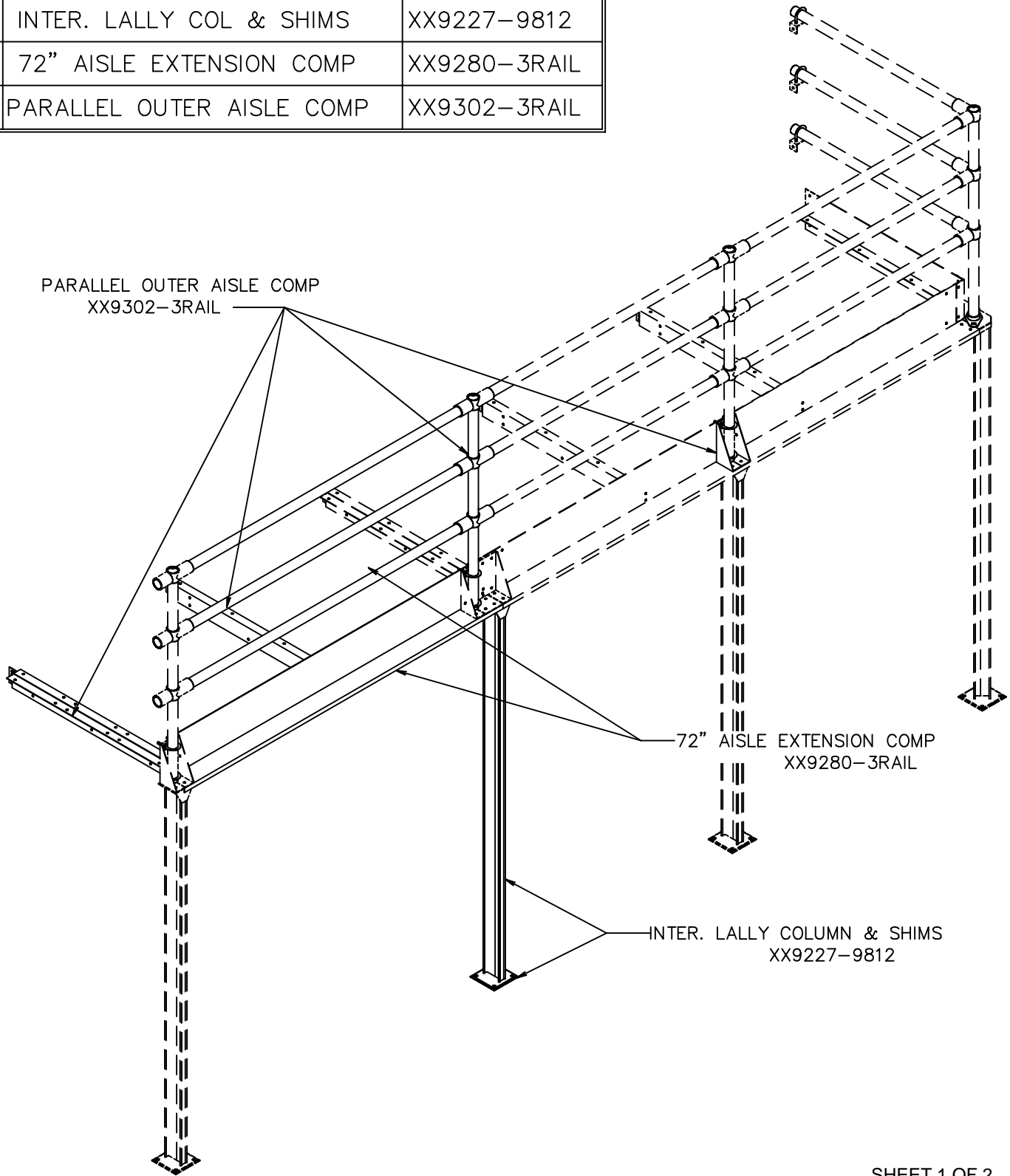


# BILL OF MATERIALS

QTY	DESCRIPTION	XX9331-3RAIL
1	INTER. LALLY COL & SHIMS	XX9227-9812
1	72" AISLE EXTENSION COMP	XX9280-3RAIL
1	PARALLEL OUTER AISLE COMP	XX9302-3RAIL



SHEET 1 OF 2

## MISSING PARTS OR IN NEED OF ASSEMBLY ASSISTANCE?

Contact us direct for fast friendly service (800) 433-8488  
 Int'l calls (630) 892-8941 | WEB: [WWW.LYONWORKSPACE.COM](http://WWW.LYONWORKSPACE.COM) | Fax (800) 367-6681

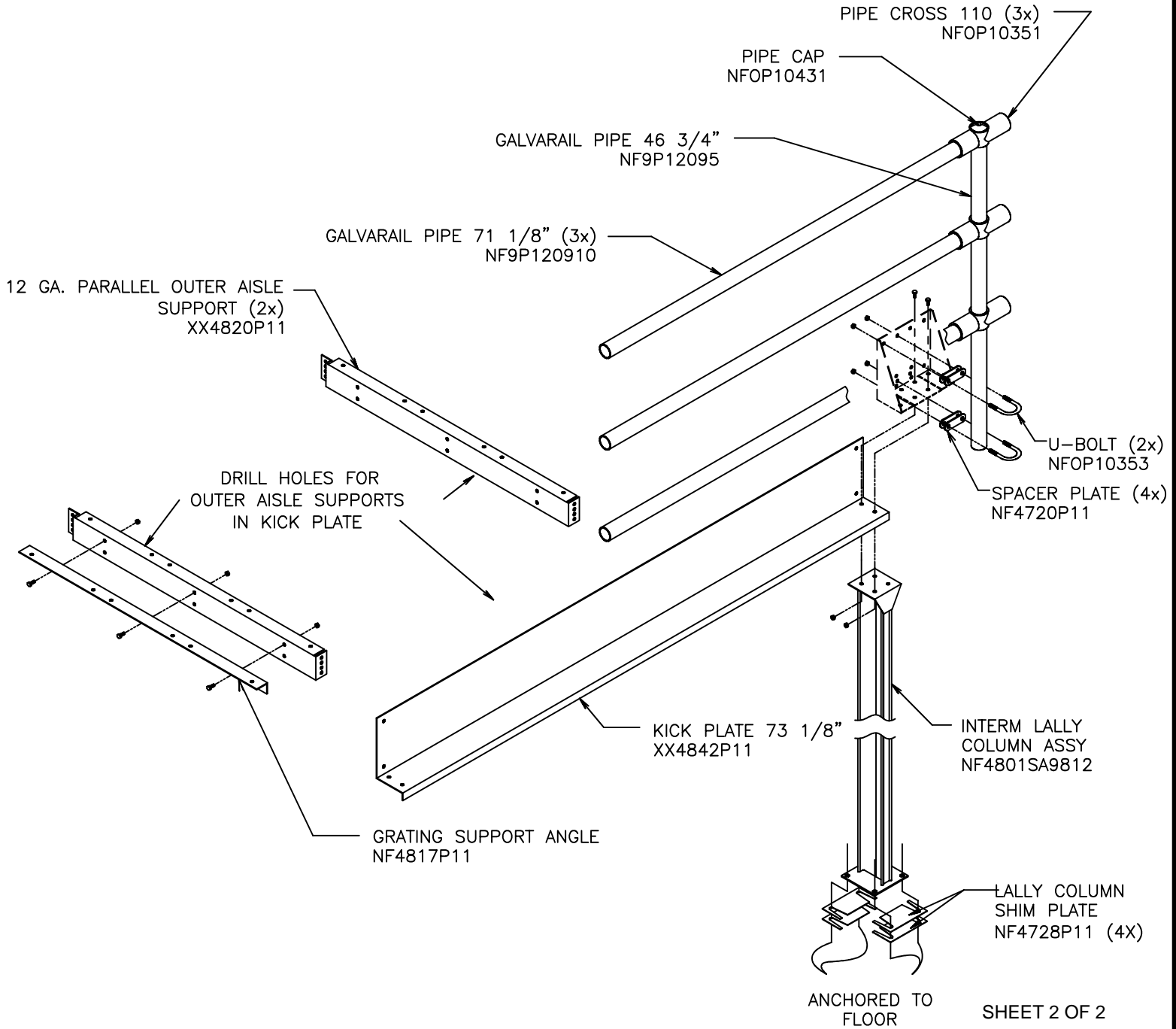
ASSEMBLY INSTRUCTIONS  
 FOR 8000 SERIES TWO  
 LEVEL SHELVING

**LYON** LYON WORKSPACE PRODUCTS  
 P.O. BOX 671  
 800 3001 AURORA, IL 60507  
**9331 PARALLEL OUTER  
 AISLE 3-RAIL**

BILL OF MATERIALS		
QTY	DESCRIPTION	XX9227-9812
4	LALLY COL BASE SHIM PLATE	NF7428P11
1	INTERM LALLY COLUMN ASSY	NF4801SA9812

BILL OF MATERIALS		
QTY	DESCRIPTION	XX9302-3RAIL
1	GRATING SUPPORT ANGLE 36	NF4817P11
1	GALVARAIL PIPE 46 3/4"	NF9P12095
2	PARALLEL OUTER AISLE SUPP	XX4820P11
1	HANDRAIL COLUMN SUPPORT	XX4832P11
3	1 1/4 PIPE CROSS 110	NFOP10351
2	5/16-18 X 2 3/8 "U" BOLT	NFOP10353
1	PIPE CAP	NFOP10431
4	SPACER PLATE	NF4720P11

BILL OF MATERIALS		
QTY	DESCRIPTION	XX9280-3RAIL
3	GALVARAIL PIPE 71 1/8"	NF9P15614
1	KICK PLATE 73 1/8"	XX4842P11



**MISSING PARTS OR IN NEED  
OF  
ASSEMBLY ASSISTANCE?**

Contact us direct for fast friendly service (800) 433-8488  
Int'l calls (630) 892-8941 | WEB: WWW.LYONWORKSPACE.COM | Fax (800) 367-6681

ASSEMBLY INSTRUCTIONS  
FOR 8000 SERIES TWO  
LEVEL SHELVING

**LYON** LYON WORKSPACE PRODUCTS  
P.O. BOX 671  
800 8001 AURORA, IL 60507

9331 PARALLEL  
OUTER AISLE 3-RAIL