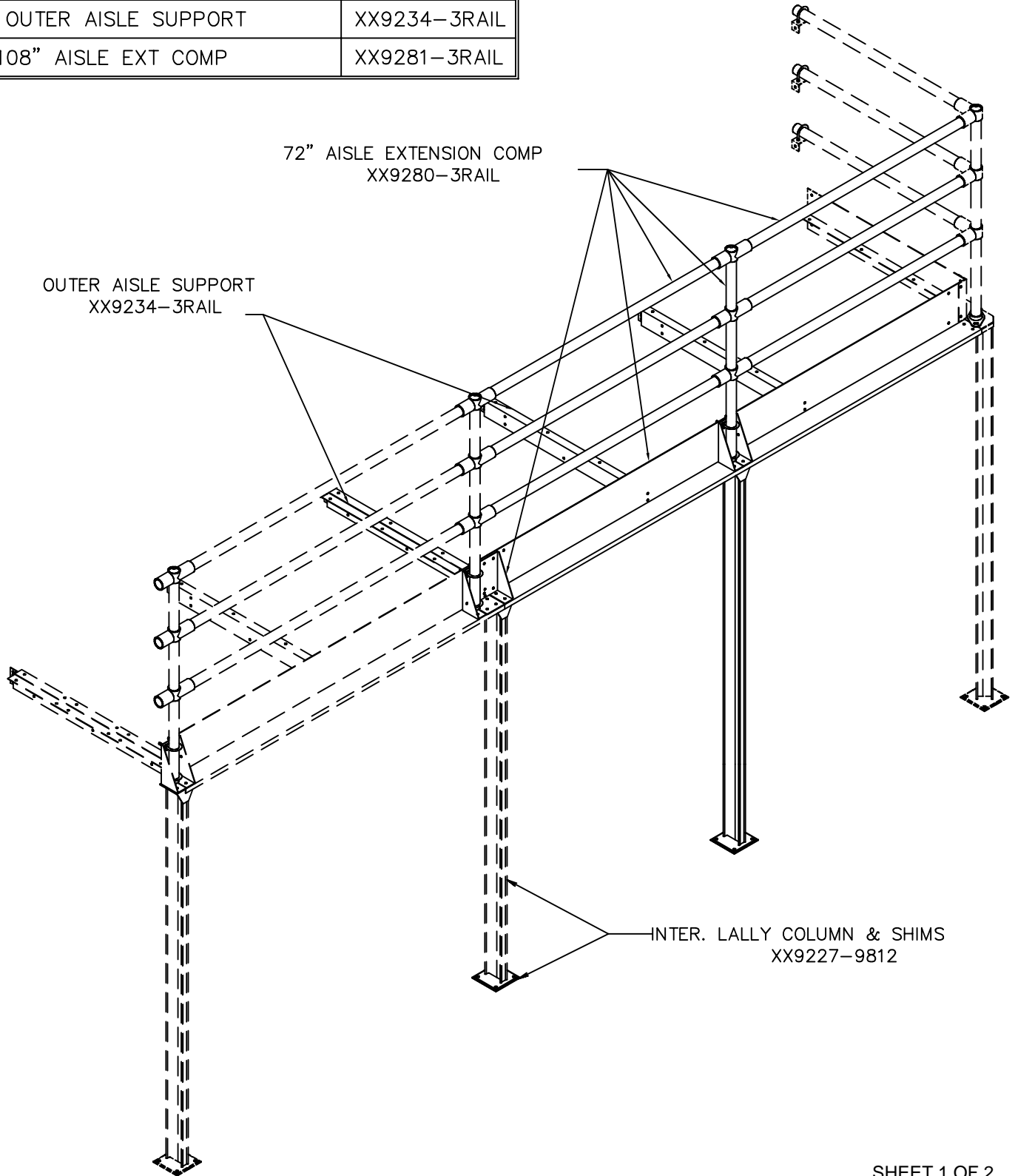


# BILL OF MATERIALS

QTY	DESCRIPTION	XX9335-3RAIL
1	INTER. LALLY COL & SHIMS	XX9227-9812
1	OUTER AISLE SUPPORT	XX9234-3RAIL
1	108" AISLE EXT COMP	XX9281-3RAIL



SHEET 1 OF 2

## MISSING PARTS OR IN NEED OF ASSEMBLY ASSISTANCE?

Contact us direct for fast friendly service (800) 433-8488  
Int'l calls (630) 892-8941 | WEB: [WWW.LYONWORKSPACE.COM](http://WWW.LYONWORKSPACE.COM) | Fax (800) 367-6681

ASSEMBLY INSTRUCTIONS  
FOR 8000 SERIES TWO  
LEVEL SHELVING

**LYON** LYON WORKSPACE PRODUCTS  
P.O. BOX 671  
800 3001 AURORA, IL 60507

**9335 PARALLEL  
OUTER AISLE 3-RAIL**

### BILL OF MATERIALS

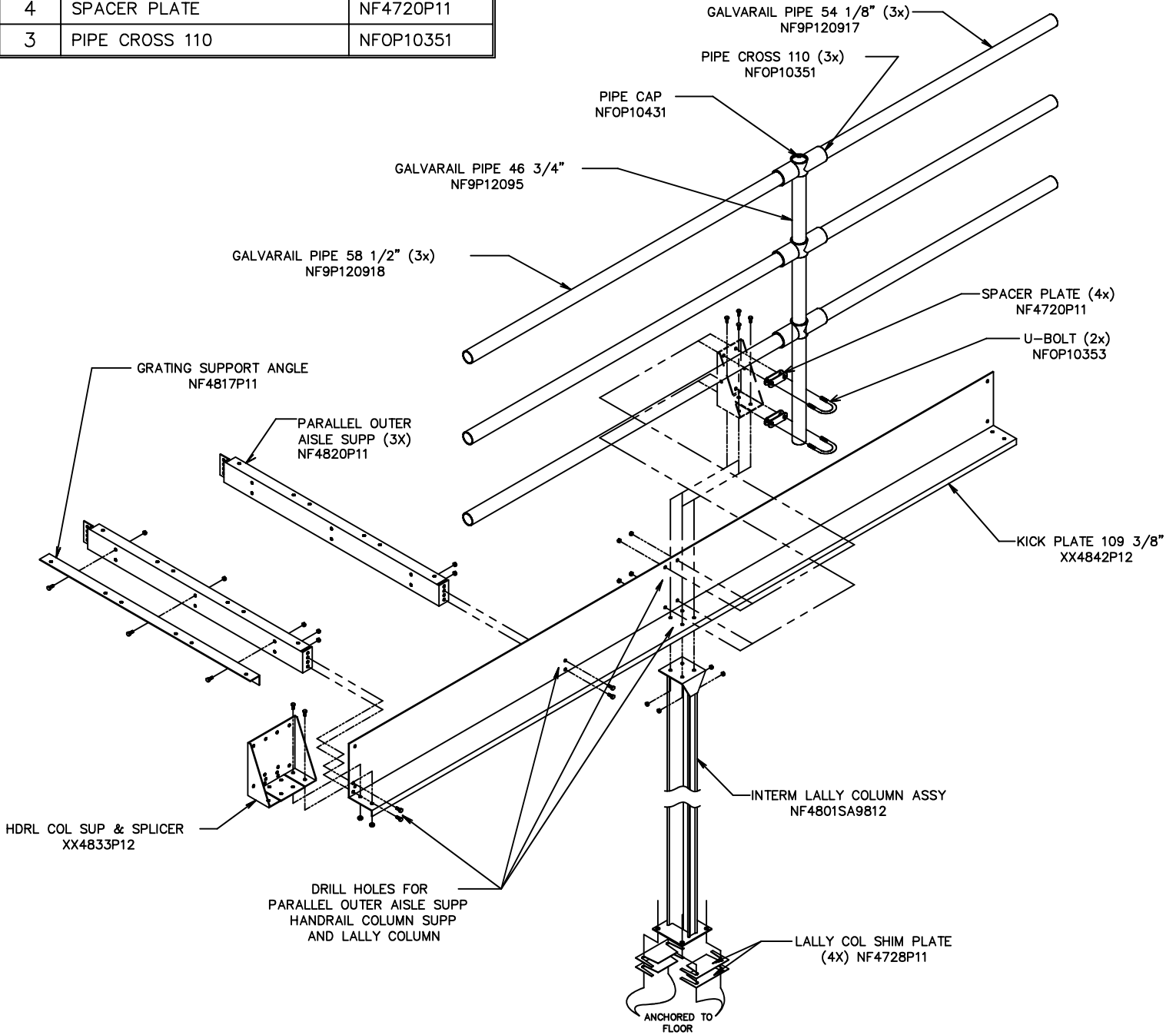
QTY	DESCRIPTION	XX9281-3RAIL
1	HDRL COL SUP & SPLICER	XX4833P12
1	KICK PLATE 109 3/8"	XX4842P12
3	GALVARAIL PIPE 54 1/8"	NF9P120917
3	GALVARAIL PIPE 58 1/2"	NF9P120918
1	GALVARAIL PIPE 46 3/4"	NF9P12095
2	5/16-18 X 2 3/8 "U" BOLT	NFOP10353
1	PIPE CAP	NFOP10431
4	SPACER PLATE	NF4720P11
3	PIPE CROSS 110	NFOP10351

### BILL OF MATERIALS

QTY	DESCRIPTION	XX9227-9812
4	LALLY COL BASE SHIM PLATE	NF7428P11
1	INTERM LALLY COLUMN ASSY	NF4801SA9812

### BILL OF MATERIALS

QTY	DESCRIPTION	XX9234
1	GRATING SUPPORT ANGLE	NF4817P11
3	PARALLEL OUTER AISLE SUPP	NF4820P11



SHEET 2 OF 2

## MISSING PARTS OR IN NEED OF ASSEMBLY ASSISTANCE?

Contact us direct for fast friendly service (800) 433-8488  
Int'l calls (630) 892-8941 | WEB: [WWW.LYONWORKSPACE.COM](http://WWW.LYONWORKSPACE.COM) | Fax (800) 367-6681

ASSEMBLY INSTRUCTIONS  
FOR 8000 SERIES TWO  
LEVEL SHELVING

**LYON** LYON WORKSPACE PRODUCTS  
P.O. BOX 671  
800 7001 AURORA, IL 60507  
**9335 PARALLEL  
OUTER AISLE 3-RAIL**