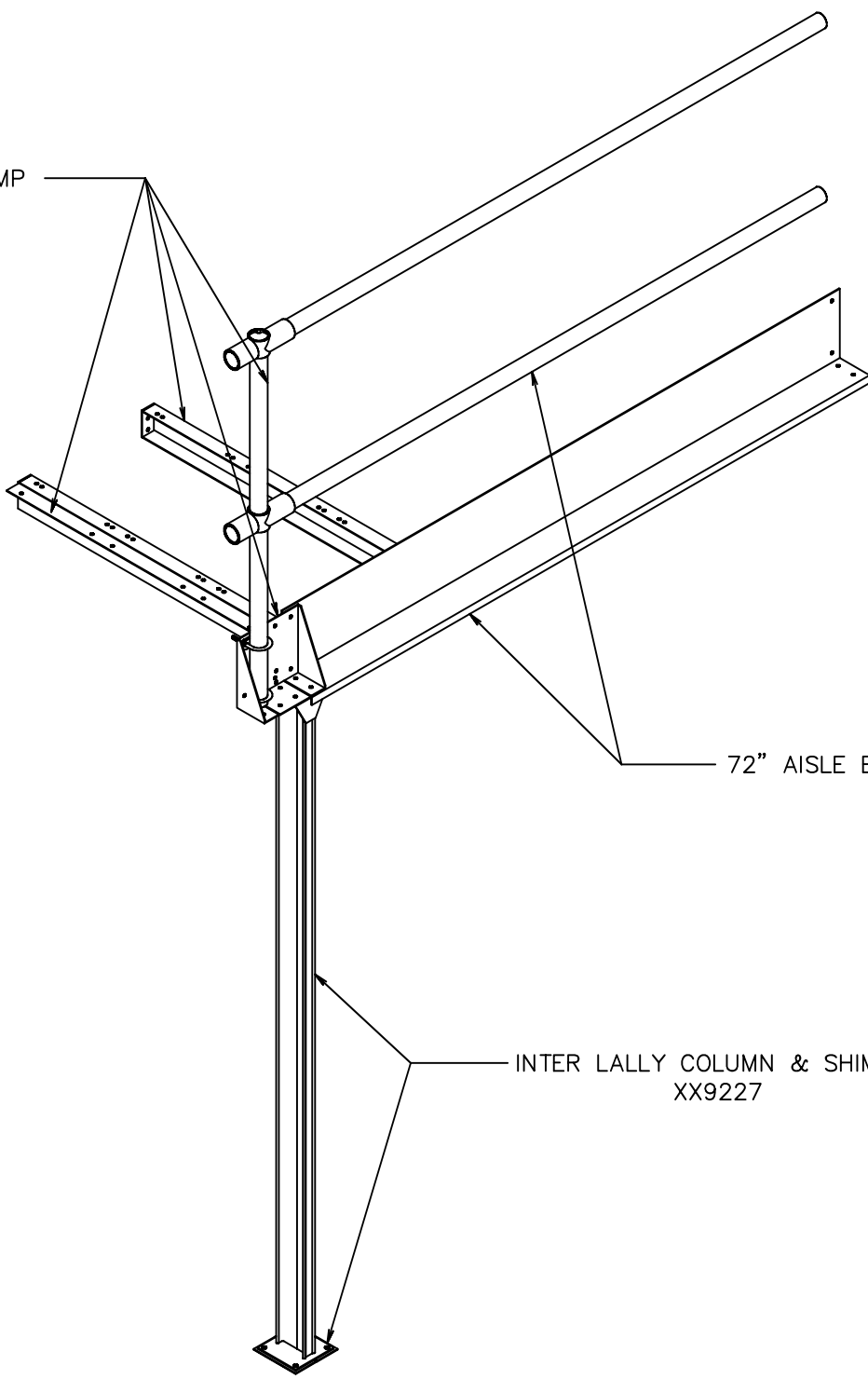


**BILL OF MATERIALS**

QTY	DESCRIPTION	XX9350
1	INTER LALLY COL & SHIMS	XX9227
1	72" AISLE EXTENSION COMP	XX9280
1	PERM EXTENSION COMP	XX9318

PERM EXTENSION COMP  
XX9318



72" AISLE EXTENSION COMP  
XX9280

INTER LALLY COLUMN & SHIMS  
XX9227

SHEET 1 OF 2

**MISSING PARTS OR IN NEED  
OF  
ASSEMBLY ASSISTANCE?**

Contact us direct for fast friendly service (800) 433-8488  
Int'l calls (630) 892-8941 | WEB: [WWW.LYONWORKSPACE.COM](http://WWW.LYONWORKSPACE.COM) | Fax (800) 367-6681

ASSEMBLY INSTRUCTIONS  
FOR 8000 SERIES TWO  
LEVEL SHELVING

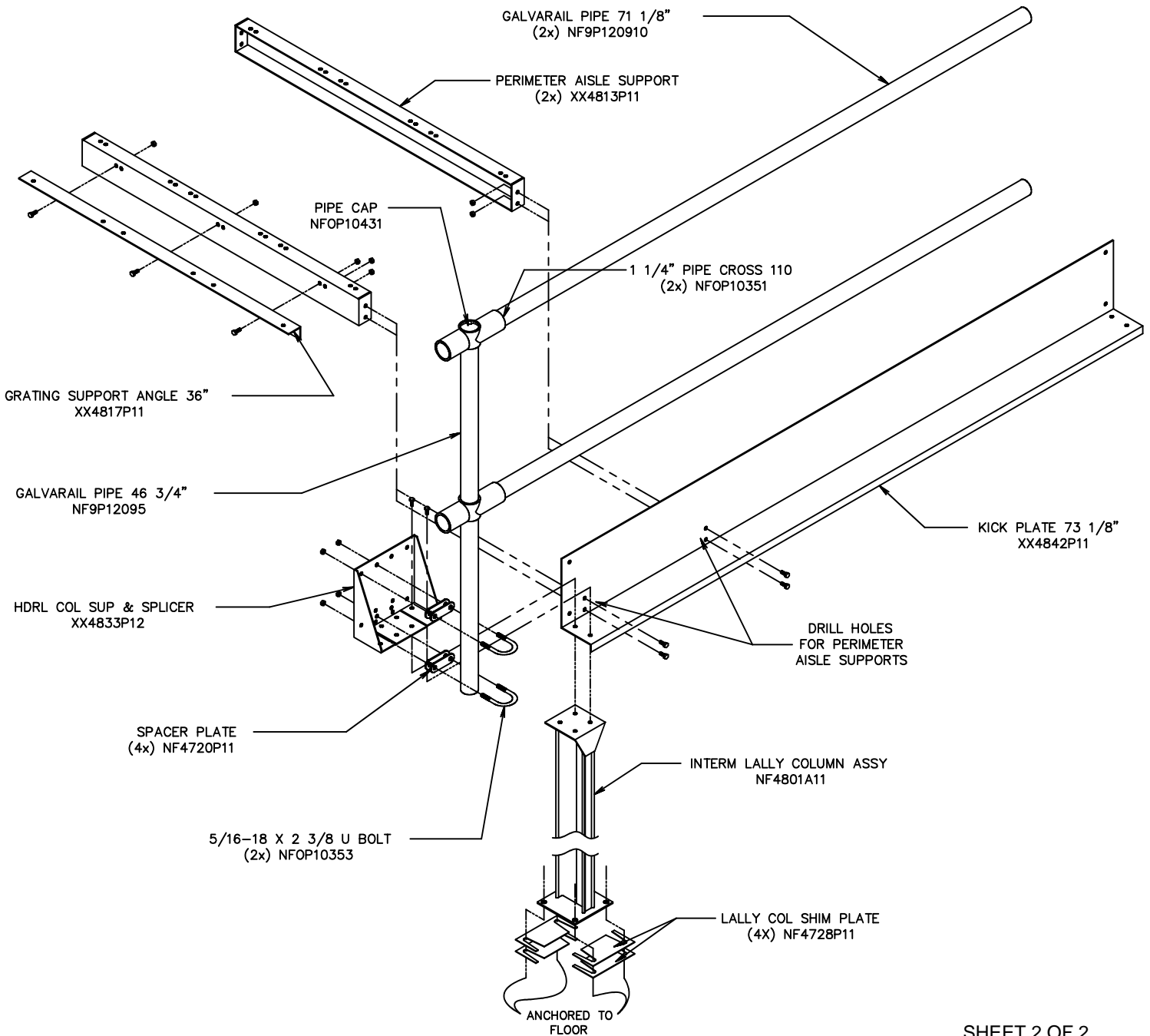
**LYON** LYON WORKSPACE PRODUCTS  
P.O. BOX 671  
800 8001 AURORA, IL 60507

**9350 PERIMETER AISLE  
COLUMN SUPPORT**

BILL OF MATERIALS		
QTY	DESCRIPTION	XX9227
4	LALLY COL BASE SHIM PLATE	NF4728P11
1	INTERM LALLY COLUMN ASSY	NF4801A11

BILL OF MATERIALS		
QTY	DESCRIPTION	XX9318
1	GALVARAIL PIPE 46 3/4"	NF9P12095
2	PERIMETER AISLE SUPPORT	XX4813P11
1	GRATING SUPPORT ANGLE 36"	XX4817P11
1	HDRL COL SUP & SPLICER	XX4833P12
2	1 1/4" PIPE CROSS 110	NFOP10351
2	5/16-18 X 2 3/8 "U" BOLT	NFOP10353
1	PIPE CAP	NFOP10431
4	SPACER PLATE	NF4720P11

BILL OF MATERIALS		
QTY	DESCRIPTION	XX9280
2	GALVARAIL PIPE 71 1/8"	NF9P120910
1	KICK PLATE 73 1/8"	XX4842P11



SHEET 2 OF 2

**MISSING PARTS OR IN NEED  
OF  
ASSEMBLY ASSISTANCE?**

Contact us direct for fast friendly service (800) 433-8488  
Int'l calls (630) 892-8941 | WEB: WWW.LYONWORKSPACE.COM | Fax (800) 367-6681

ASSEMBLY INSTRUCTIONS  
FOR 8000 SERIES TWO  
LEVEL SHELVING

**LYON**  LYON WORKSPACE PRODUCTS  
P.O. BOX 671  
AURORA, IL 60507  
**9350 PERIMETER AISLE  
COLUMN SUPPORT**