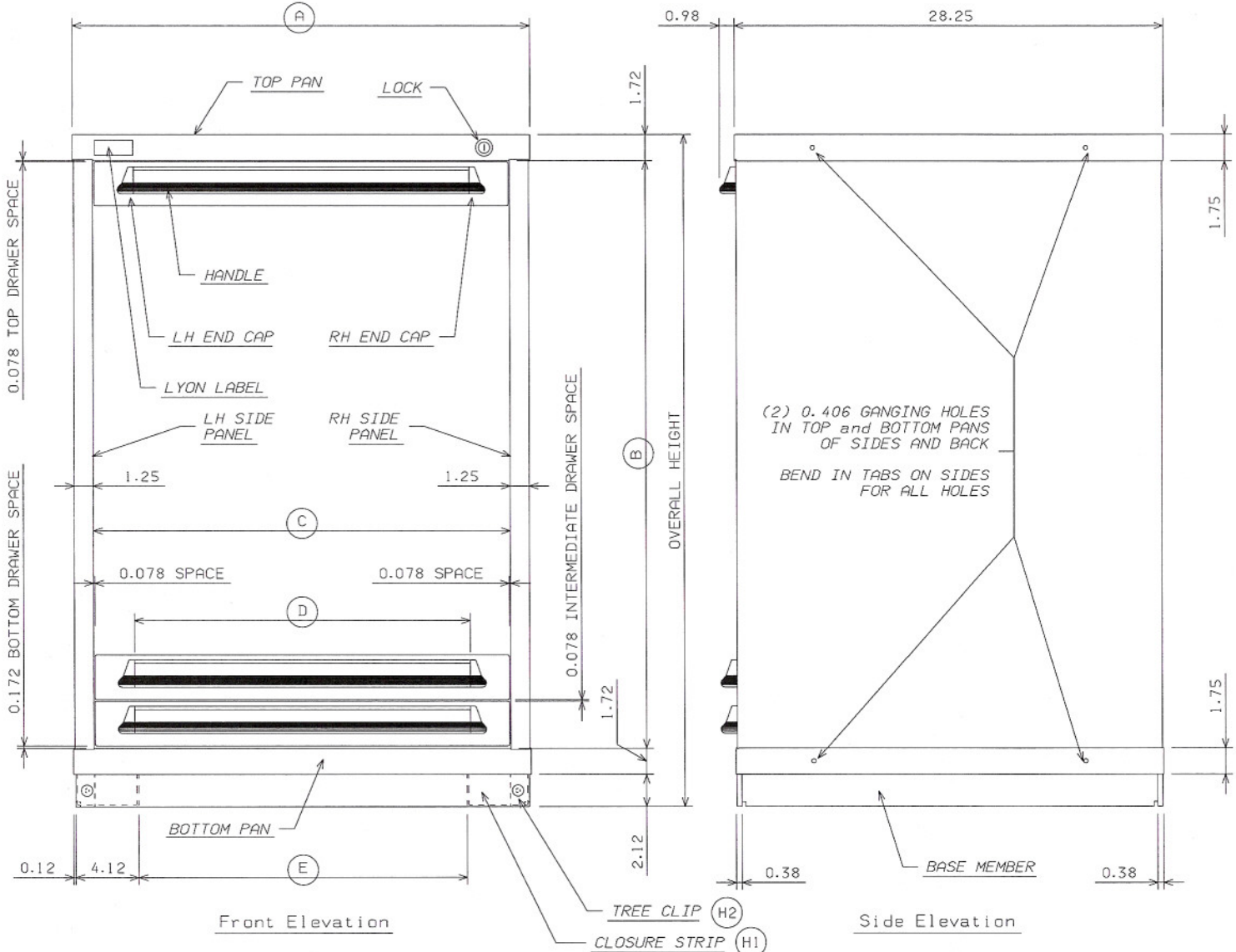


| 22-WIDE CABINET SERIES |                |       |       |       |       | 30-WIDE CABINET SERIES |                     |                |       |       |       | 36-WIDE CABINET SERIES |       |                     |                |       |       |       |       |       |
|------------------------|----------------|-------|-------|-------|-------|------------------------|---------------------|----------------|-------|-------|-------|------------------------|-------|---------------------|----------------|-------|-------|-------|-------|-------|
| HOUSING DESIGNATION    | OVERALL HEIGHT | (A)   | (B)   | (C)   | (D)   | (E)                    | HOUSING DESIGNATION | OVERALL HEIGHT | (A)   | (B)   | (C)   | (D)                    | (E)   | HOUSING DESIGNATION | OVERALL HEIGHT | (A)   | (B)   | (C)   | (D)   | (E)   |
| 270SL                  | 26.98          | 22.81 | 21.42 | 20.15 | 13.19 | 14.31                  | 270                 | 26.98          | 30.00 | 21.42 | 27.34 | 20.38                  | 21.50 | 270M                | 26.98          | 36.39 | 21.42 | 33.73 | 20.38 | 27.91 |
| 310SL                  | 30.14          |       | 24.58 |       |       |                        | 310                 | 30.14          |       | 24.58 |       |                        |       | 310M                | 30.14          |       | 24.58 |       |       |       |
| 350SL                  | 33.28          |       | 27.72 |       |       |                        | 350                 | 33.28          |       | 27.72 |       |                        |       | 350M                | 33.28          |       | 27.72 |       |       |       |
| 400SL                  | 37.22          |       | 31.66 |       |       |                        | 400                 | 37.22          |       | 31.66 |       |                        |       | 400M                | 37.22          |       | 31.66 |       |       |       |
| 490SL                  | 44.31          |       | 38.75 |       |       |                        | 490                 | 44.31          |       | 38.75 |       |                        |       | 490M                | 44.31          |       | 38.75 |       |       |       |
| 680SL                  | 59.27          |       | 53.70 |       |       |                        | 680                 | 59.27          |       | 53.70 |       |                        |       | 680M                | 59.27          |       | 53.70 |       |       |       |



|  |                                   |            |         |
|--|-----------------------------------|------------|---------|
| ADDED 36 WIDE                          | 0475                              | 08-28-02   | RE      |
| REL FOR USE                            | 0367                              | 08-28-99   | RE      |
| SYM                                    | REVISION                          | ECN        | DATE BY |
| NOTES:                                 |                                   |            |         |
| 1) ALL DIMENSIONS ARE INCHES           |                                   |            |         |
| 2) TOLERANCES (UNLESS OTHERWISE NOTED) |                                   |            |         |
| DECIMAL: .XX = ±.03                    |                                   |            |         |
| .XXX = ±.015                           |                                   |            |         |
| ANGULAR: = ±1°                         |                                   |            |         |
| MATERIAL                               |                                   |            |         |
| SEE DRAWING                            |                                   |            |         |
| RAW P/N                                | WEIGHT(LB)                        | FINISH:    |         |
| ---                                    | ---                               | ---        |         |
| DATE                                   | DRAWN BY                          | CHECKED BY |         |
| 07-02-98                               | RE                                | DV         |         |
| <b>LYON</b> LYON METAL PRODUCTS        |                                   |            |         |
| PO BOX 671 AURORA, IL 61507            |                                   |            |         |
| (800) 323-0082 FAX: (800) 367-6681     |                                   |            |         |
| DESCRIPTION                            |                                   |            |         |
| MDCII                                  | 22/30/36W CBT SPECS FORKLIFT BASE |            |         |
| SHEET                                  | DWG NUMBER                        | REV        |         |
| 1                                      | <b>SS0422</b>                     | 2          |         |

NOTICE: THIS IS A CONFIDENTIAL DISCLOSURE LOANED BY SYCMORE SYSTEMS FOR REFERENCE PURPOSES ONLY