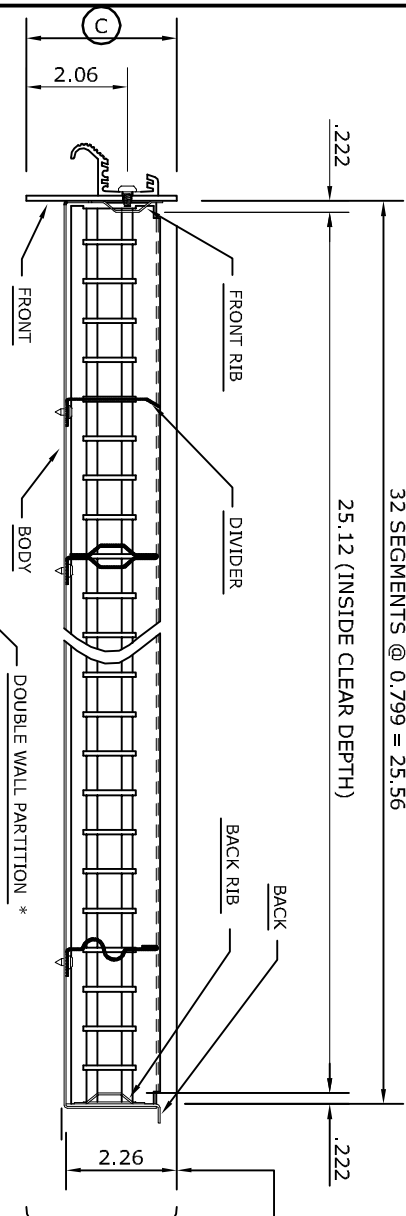


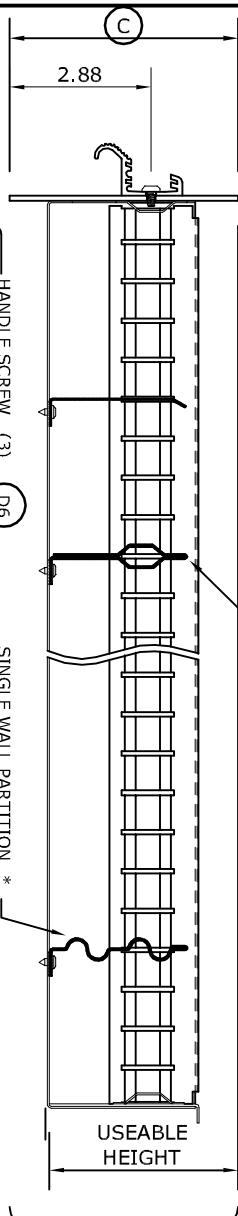
32 SEGMENTS @ 0.799 = 25.56

25.12 (INSIDE CLEAR DEPTH)

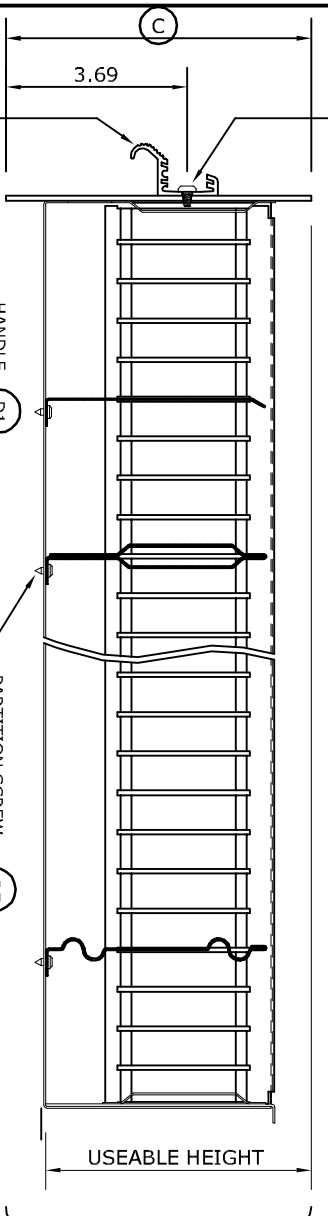


USEABLE HEIGHT

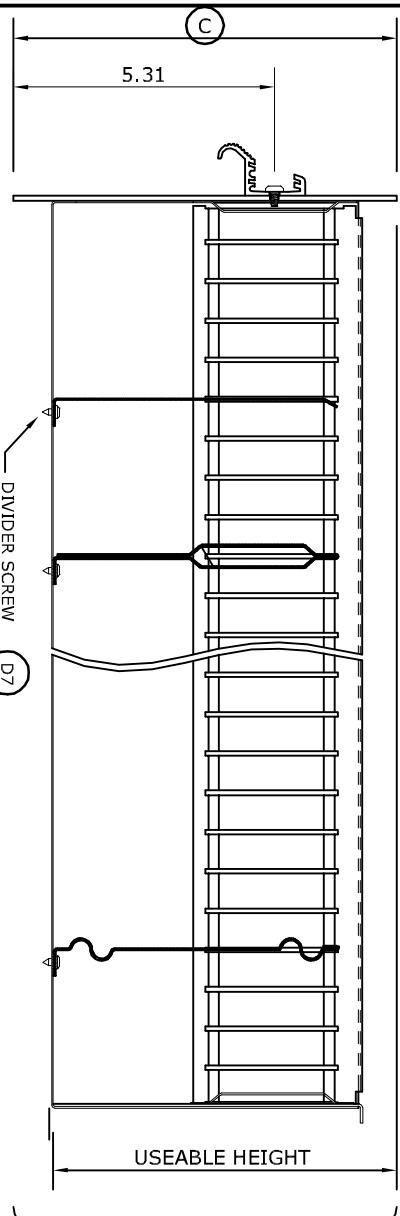
TYPICAL 4 and 5 SEGMENT DRAWER  
example: 250-40 and 250-50  
INSIDE CLEAR HEIGHT: 1.94  
DIVIDER HEIGHT: 1.88  
PARTITION HEIGHT: 1.88



TYPICAL 6 and 7 SEGMENT DRAWER  
example: 250-60 and 250-70  
INSIDE CLEAR HEIGHT: 3.06  
DIVIDER HEIGHT: 2.78  
PARTITION HEIGHT: 2.81



TYPICAL 8 and 9 SEGMENT DRAWER  
example: 250-80 and 250-90  
INSIDE CLEAR HEIGHT: 4.50  
DIVIDER HEIGHT: 4.47  
PARTITION HEIGHT: 4.50



TYPICAL 10 thru 18 SEGMENT DRAWER  
example: 250-100 thru 250-180  
INSIDE CLEAR HEIGHT: 6.31  
DIVIDER HEIGHT: 5.78  
PARTITION HEIGHT: 5.81

DRAWER HEIGHT DESIGNATION	USEABLE HEIGHT	(C)
4 SEGMENT	2.25	3.071
5 SEGMENT	3.00	3.859
6 SEGMENT	3.88	4.646
7 SEGMENT	4.62	5.433
8 SEGMENT	5.38	6.221
9 SEGMENT	6.25	7.008
10 SEGMENT	7.00	7.796
11 SEGMENT	7.75	8.583
12 SEGMENT	8.52	9.370
13 SEGMENT	9.38	10.158
14 SEGMENT	10.12	10.945
15 SEGMENT	10.88	11.733
16 SEGMENT	11.75	12.520
17 SEGMENT	12.50	13.307
18 SEGMENT	13.25	14.095

\* NOTE:

DOUBLE WALL PARTITIONS  
USED IN 22/36/45/60 WIDE DRAWER  
SIDE TO SIDE APPLICATIONS

SINGLE WALL PARTITIONS  
USED IN 30 WIDE DRAWER  
SIDE TO SIDE APPLICATIONS



P.O. Box 671  
AURORA, IL 60507-0671  
PHONE: 630-892-8941  
FAX: 800-367-6681

NOTICE: THIS IS A CONVENTIONAL DISC OPERATIONAL DRAWING BY LYON WORKSPACE FOR REFERENCE PURPOSES ONLY

DATE 07-19-12 DRAWN BY JR CHECKED BY DMV

DESCRIPTION

INSTALLATION  
DRAWER FRONT ELEVATIONS  
MDC

SHEET 1 DRAWING NUMBER S50517 REV 2

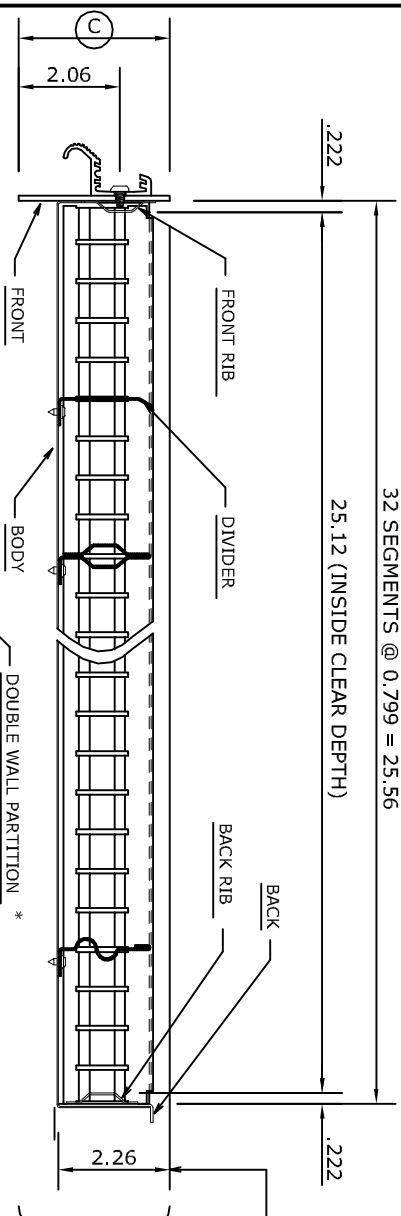
32 SEGMENTS @ 0.799 = 25.56

25.12 (INSIDE CLEAR DEPTH)

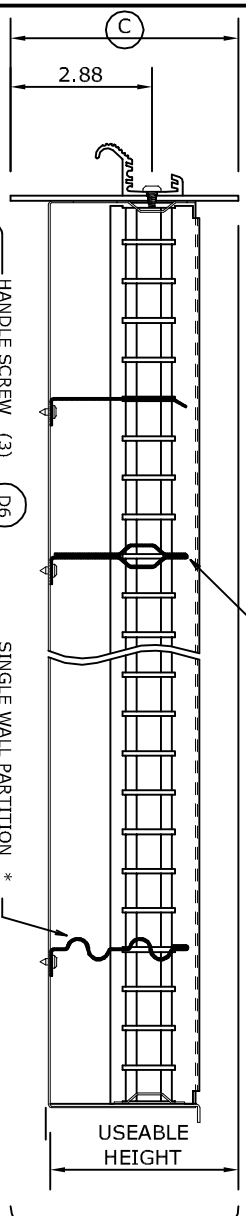
.222

.222

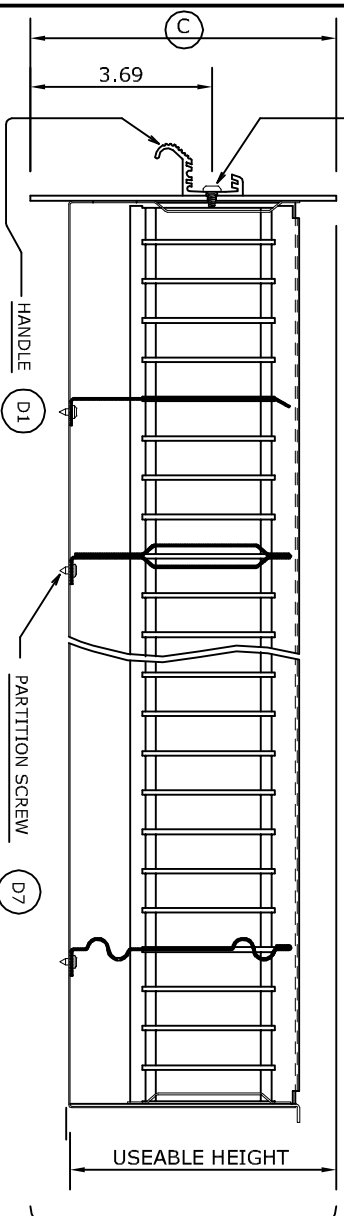
USEABLE HEIGHT



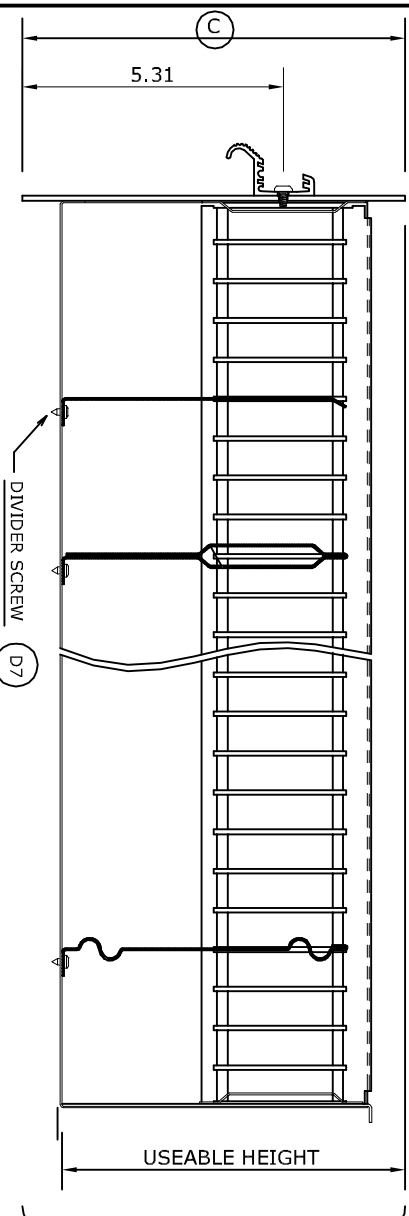
TYPICAL 4 and 5 SEGMENT DRAWER  
example: 250-40 and 250-50  
INSIDE CLEAR HEIGHT: 1.94  
DIVIDER HEIGHT: 1.88  
PARTITION HEIGHT: 1.88



TYPICAL 6 and 7 SEGMENT DRAWER  
example: 250-60 and 250-70  
INSIDE CLEAR HEIGHT: 3.06  
DIVIDER HEIGHT: 2.78  
PARTITION HEIGHT: 2.81



TYPICAL 8 and 9 SEGMENT DRAWER  
example: 250-80 and 250-90  
INSIDE CLEAR HEIGHT: 4.50  
DIVIDER HEIGHT: 4.47  
PARTITION HEIGHT: 4.50



TYPICAL 10 thru 18 SEGMENT DRAWER  
example: 250-100 thru 250-180  
INSIDE CLEAR HEIGHT: 6.31  
DIVIDER HEIGHT: 5.78  
PARTITION HEIGHT: 5.81

DRAWER HEIGHT/USEABLE DESIGNATION HEIGHT		(C)
4 SEGMENT	2.25	3.071
5 SEGMENT	3.00	3.859
6 SEGMENT	3.88	4.646
7 SEGMENT	4.62	5.433
8 SEGMENT	5.38	6.221
9 SEGMENT	6.25	7.008
10 SEGMENT	7.00	7.796
11 SEGMENT	7.75	8.583
12 SEGMENT	8.52	9.370
13 SEGMENT	9.38	10.158
14 SEGMENT	10.12	10.945
15 SEGMENT	10.88	11.733
16 SEGMENT	11.75	12.520
17 SEGMENT	12.50	13.307
18 SEGMENT	13.25	14.095

\* NOTE:

DOUBLE WALL PARTITIONS USED IN 22/36/45/60 WIDE DRAWER SIDE TO SIDE APPLICATIONS

SINGLE WALL PARTITIONS USED IN 30 WIDE DRAWER SIDE TO SIDE APPLICATIONS



P.O. Box 671  
AURORA, IL 60507-0671  
PHONE: 630-892-8941  
FAX: 800-367-6681

NOTICE: THIS IS A CONFIDENTIAL DISCLOSURE. LOANED BY LYON WORKSPACE FOR REFERENCE PURPOSES ONLY.

DATE: 07-19-12  
DRAWN BY: JR  
CHECKED BY: DMV

DESCRIPTION:

INSTALLATION  
DRAWER SIDE ELEVATIONS

MDC

SHEET: 2  
DRAWING NUMBER: SS0517  
REV: 2