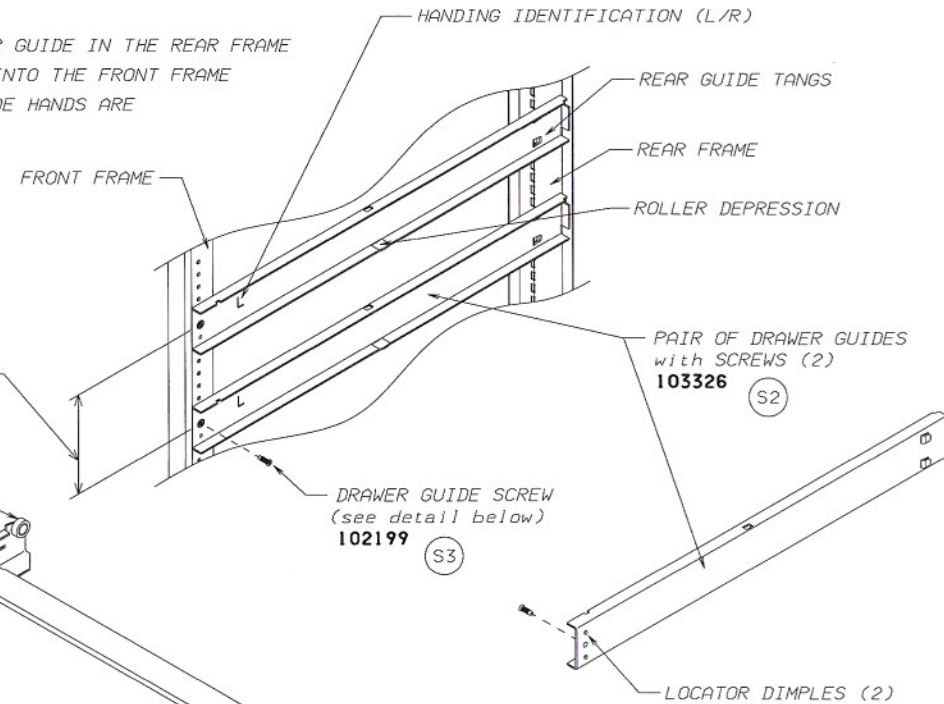


Guide Installation

- 1) INSERT THE REAR TANGS OF ONE (1) LEFT HAND AND ONE (1) RIGHT HAND DRAWER GUIDE IN THE REAR FRAME SLOTS (THIS MAY REQUIRE A TAP WITH A HAMMER). THEIR FRONT DIMPLES FIT INTO THE FRONT FRAME HOLES AND ARE ATTACHED WITH A 1/4-20 x 3/4 FLAT HEAD SCREW. DRAWER GUIDE HANDS ARE MARKED AND ROLLER DEPRESSIONS ARE ON THE BOTTOM WHEN PROPERLY INSTALLED.
- 2) THE SPACING IS DETERMINED BY THE HEIGHT OF THE DRAWER FRONT BELOW. THEREFORE, COUNT ONE (1) HOLE FOR EACH SEGMENT OF THE DRAWER FRONT BELOW TO LOCATE THE HOLES FOR THE NEXT PAIR OF GUIDES ABOVE.

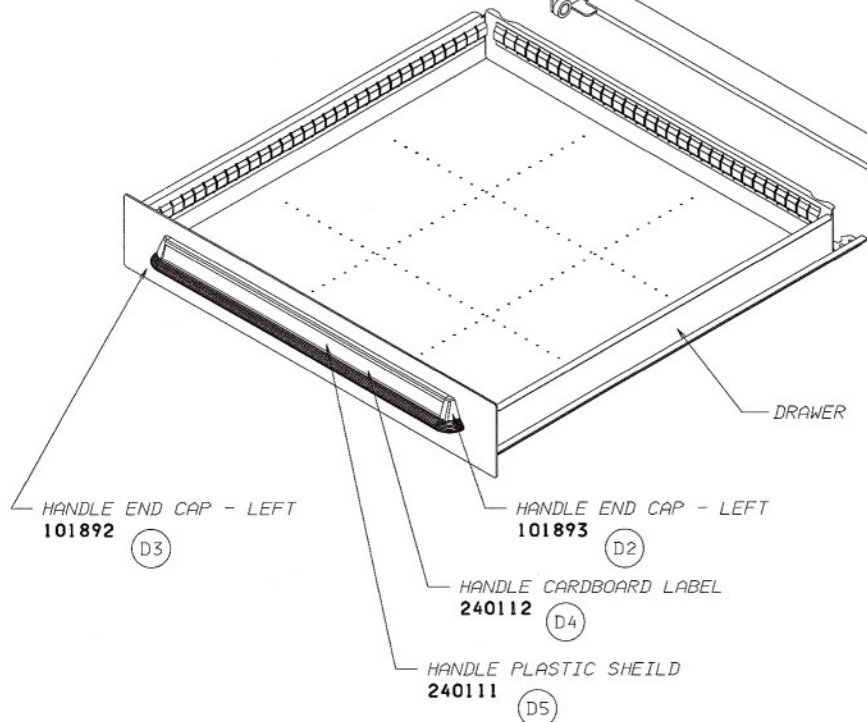
Drawer/Carrier Installation

- 1) INSERT THE CARRIER BETWEEN THE PAIR OF DRAWER GUIDES AND LIFT UP AT FRONT TO CLEAR THE STOP TABS.
- 2) INSERT THE DRAWER INTO THE CARRIER AND LIFT UP AT FRONT TO CLEAR THE STOP TABS.

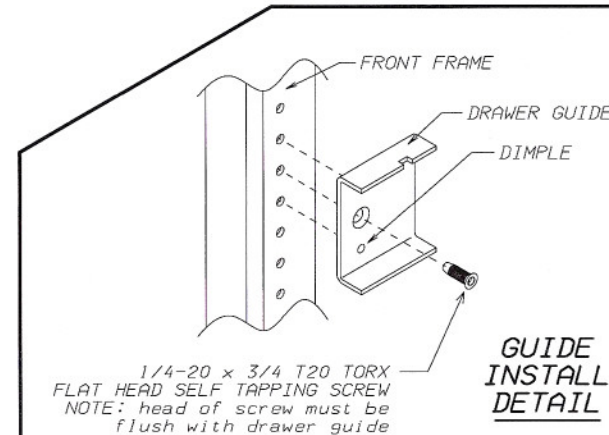


8 HOLES (SEGMENTS)
= 6 3/16" DRAWER FRONT
or 240-80 DRAWER

THIS END OF CARRIAGE ASSEMBLY
IS LOCATED AT REAR OF CABINET
(note upper roller bearing)



CARRIER (S1)
103293 (22-WIDE)
103294 (30-WIDE)
103295 (36-WIDE)
103296 (45-WIDE)
103297 (60-WIDE)



REVISOR	REVISED FOR 250/251 STYLE	0532	07-28-07	RE
DEL. DRW ADJ.	ADDED DRW/CARRIER INSTALL	0498	07-08-03	RE
REL. FOR USE		0367	07-28-99	RE
SYM	REVISION	ECN	DATE	BY

NOTES:
1) ALL DIMENSIONS ARE INCHES
2) TOLERANCES (UNLESS OTHERWISE NOTED)
DECIMAL: .XX = ±.03
.XXX = ±.015
ANGULAR: = ±1°

MATERIAL SEE DRAWING		
RAW P/N	WEIGHT(LB)	FINISH:
DATE	DRAWN BY	CHECKED BY
10-05-99	RE	DV
LYON LYON METAL PRODUCTS PO BOX 671 AURORA, IL 61507 (800) 323-0082 FAX: (800) 367-6681		
MDCII	DESCRIPTION DRW GUIDE ATTACHMENT / DRW CARRIER INSTALL	
SHEET	DWG NUMBER	REV
	SS0524	3

NOTICE: THIS IS A CONFIDENTIAL DISCLOSURE LOANED BY STOWARE SYSTEMS FOR REFERENCE PURPOSES ONLY