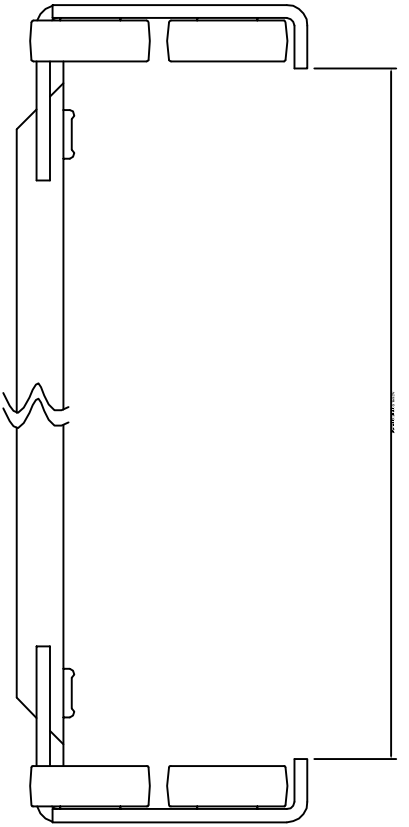


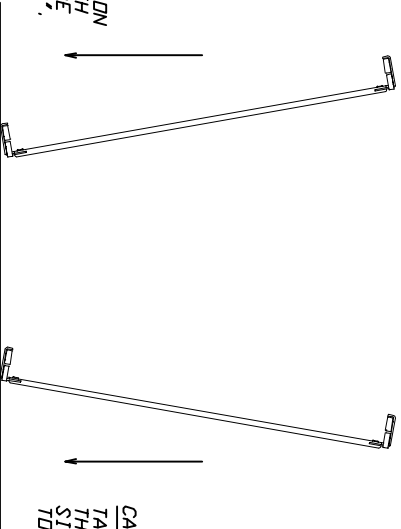
SIDE TO SIDE DIMENSION



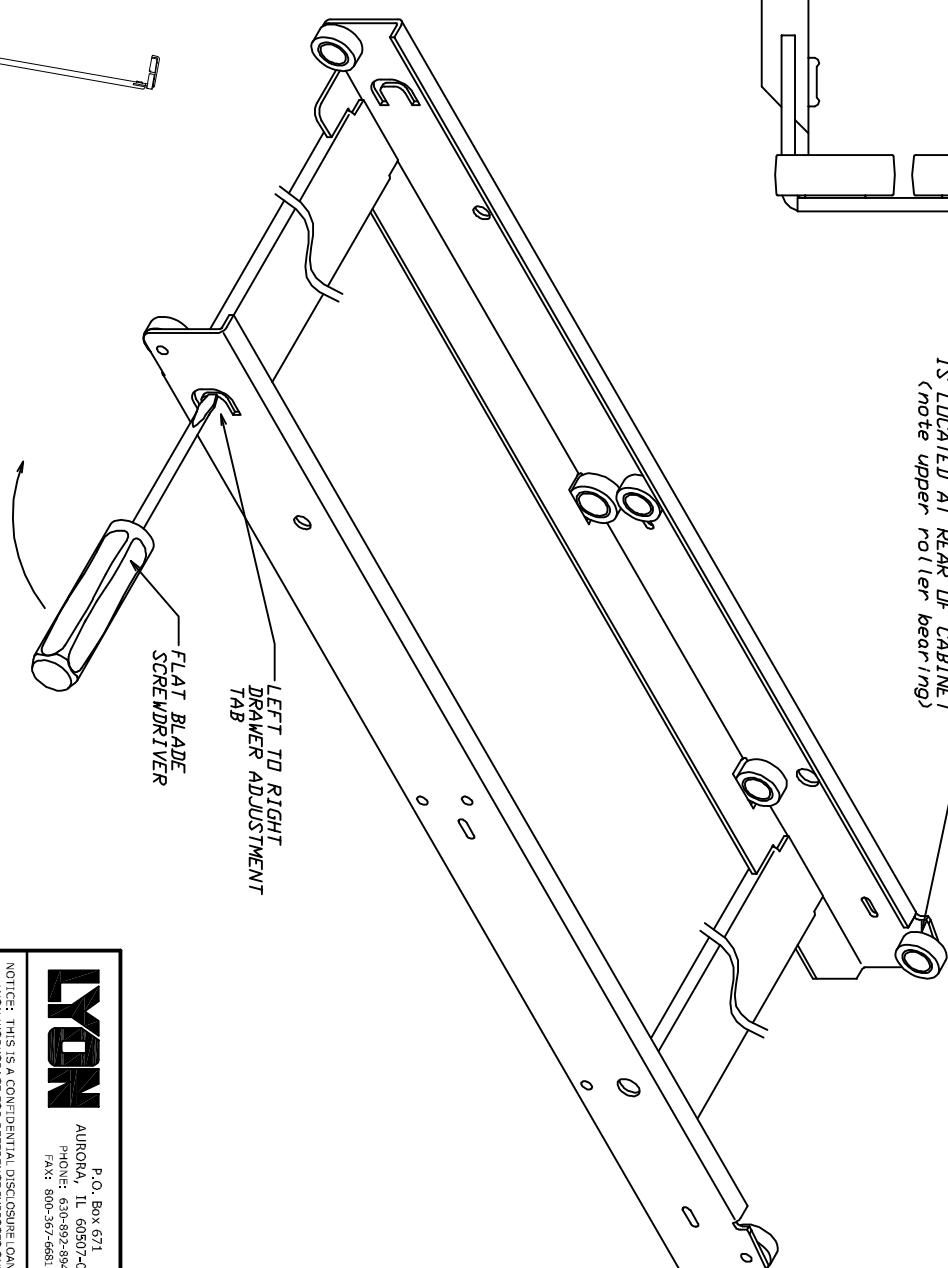
FRONT VIEW OF CARRIER ASSEMBLY

TO CENTER DRAWER IN CABINET OPENING WHEN DRAWER IS CLOSED, ADJUST CARRIAGE ASSEMBLY AS SHOWN BY USING A FLAT BLADE SCREWDRIVER AT THE FRONT OF THE CARRIAGE.
 BEND THE RH TAB OUTWARDS TO MOVE THE DRAWER TO THE LEFT. BEND THE LH TAB OUTWARDS TO MOVE THE DRAWER TO THE RIGHT.

CARRIER TIGHT IN GUIDES
 TAP THE CARRIER ASSEMBLY ON THE FLOOR AS SHOWN ON BOTH SIDES TO DECREASE THE SIDE TO SIDE DIMENSION BY 1/16".



CARRIER TIGHT ON DRAWER
 TAP THE CARRIER ASSEMBLY ON THE FLOOR AS SHOWN ON BOTH SIDES TO INCREASE THE SIDE TO SIDE DIMENSION BY 1/16".



THIS END OF CARRIAGE ASSEMBLY IS LOCATED AT REAR OF CABINET (note upper roller bearing)

WIDTH	SMALLEST DIMENSION	ACTUAL DIMENSION	LARGEST DIMENSION
22 WIDE	18-25/32	18-27/32	18-29/32
30 WIDE	25-31/32	26-1/32	26-3/32
36 WIDE	32-3/8	32-7/16	32-1/2
45 WIDE	40-3/8	40-7/16	40-1/2
60 WIDE	55-19/32	55-21/32	55-23/32

LYON

P.O. Box 671
 AURORA, IL 60507-0671
 PHONE: 630-892-8941
 FAX: 800-367-6681

NOTICE: THIS IS A CONFIDENTIAL DISCLOSURE, LOANED BY LYON WORKSPACE FOR REFERENCE PURPOSES ONLY.

DATE: 07-19-12
 DRAWN BY: JR
 CHECKED BY: DMV

DESCRIPTION

INSTALLATION
 CARRIER ADJUSTMENT
 MDC

SHEET	1	REV	2
DRAWING NUMBER	SS0763		