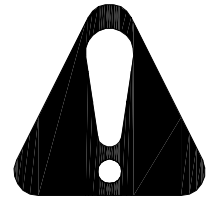


# CAUTION

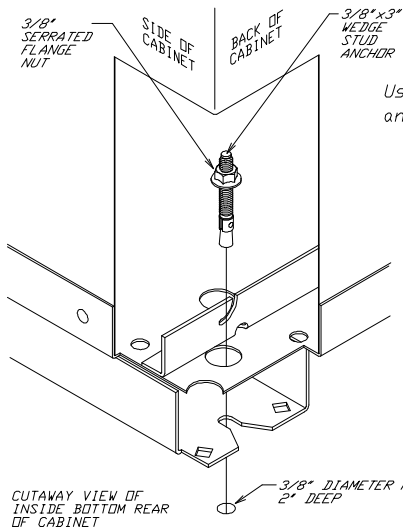


## STOP and READ

**BEFORE INSTALLING OR USING THIS CABINET.**

**ALL CABINETS OVER 36" IN HEIGHT, WITHOUT CASTERS, MUST BE SECURELY ANCHORED IN ACCORDANCE WITH THE FOLLOWING INSTRUCTIONS IN ORDER TO GUARD AGAINST ACCIDENTAL TIPPING.**

### SINGLE UNITS



Using the template on the back of this sheet, mark floor and drill two (2) pilot holes as specified in illustration.

Remove sufficient bottom drawers and carriers for accessibility to inside rear of cabinet.  
(Keep in matched sets)

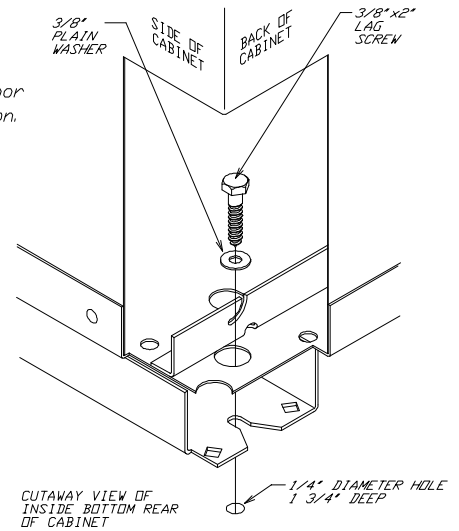
#### CONCRETE FLOOR

Thread nut onto anchor and tap into pilot hole with hammer until it bottoms out. Move cabinet into position and tighten nuts.

#### WOODEN FLOOR

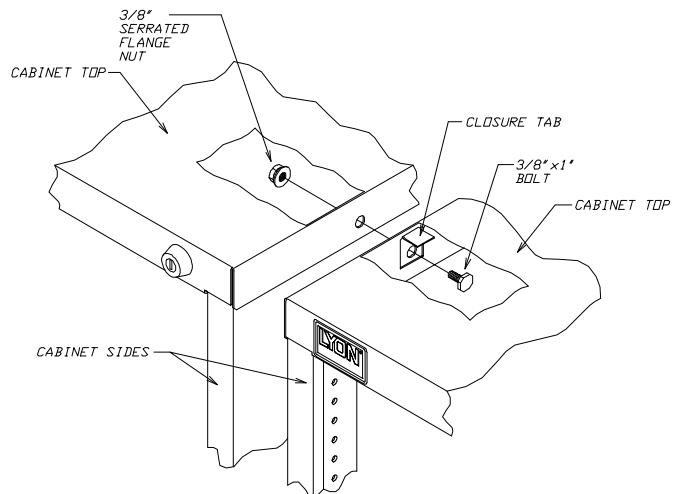
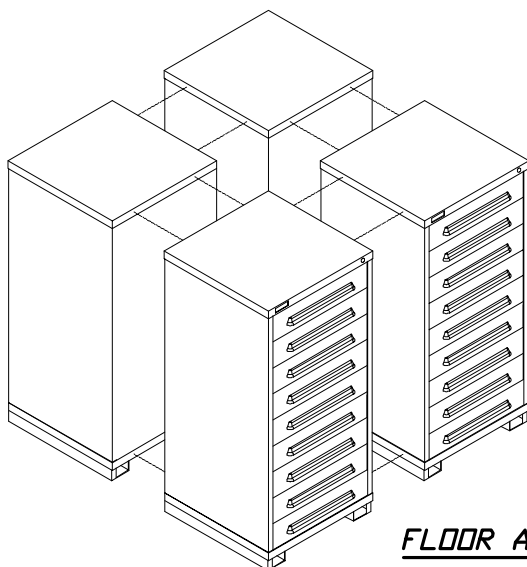
Move cabinet into position, insert lag screws with washers, and tighten.

Replace drawers and carriers into original positions.



### MULTIPLE UNITS

Remove sufficient top drawers and carriers for accessibility to inside top of cabinet. (Keep in matched sets)  
With a screwdriver, bend up the closure tabs of adjacent units, and attach with two (2) bolts and nuts.  
Replace drawers and carriers into original positions.



### FLOOR ANCHORING EXCEPTIONS

- \* Single row cabinets bolted side to side need only be floor anchored at each end cabinet.
- \* Cabinets bolted back to back do not require floor anchoring.

# DRILLING TEMPLATE

FOR CONCRETE FLOOR: DRILL (2)  
3/8" DIAMETER HOLES 2" DEEP.

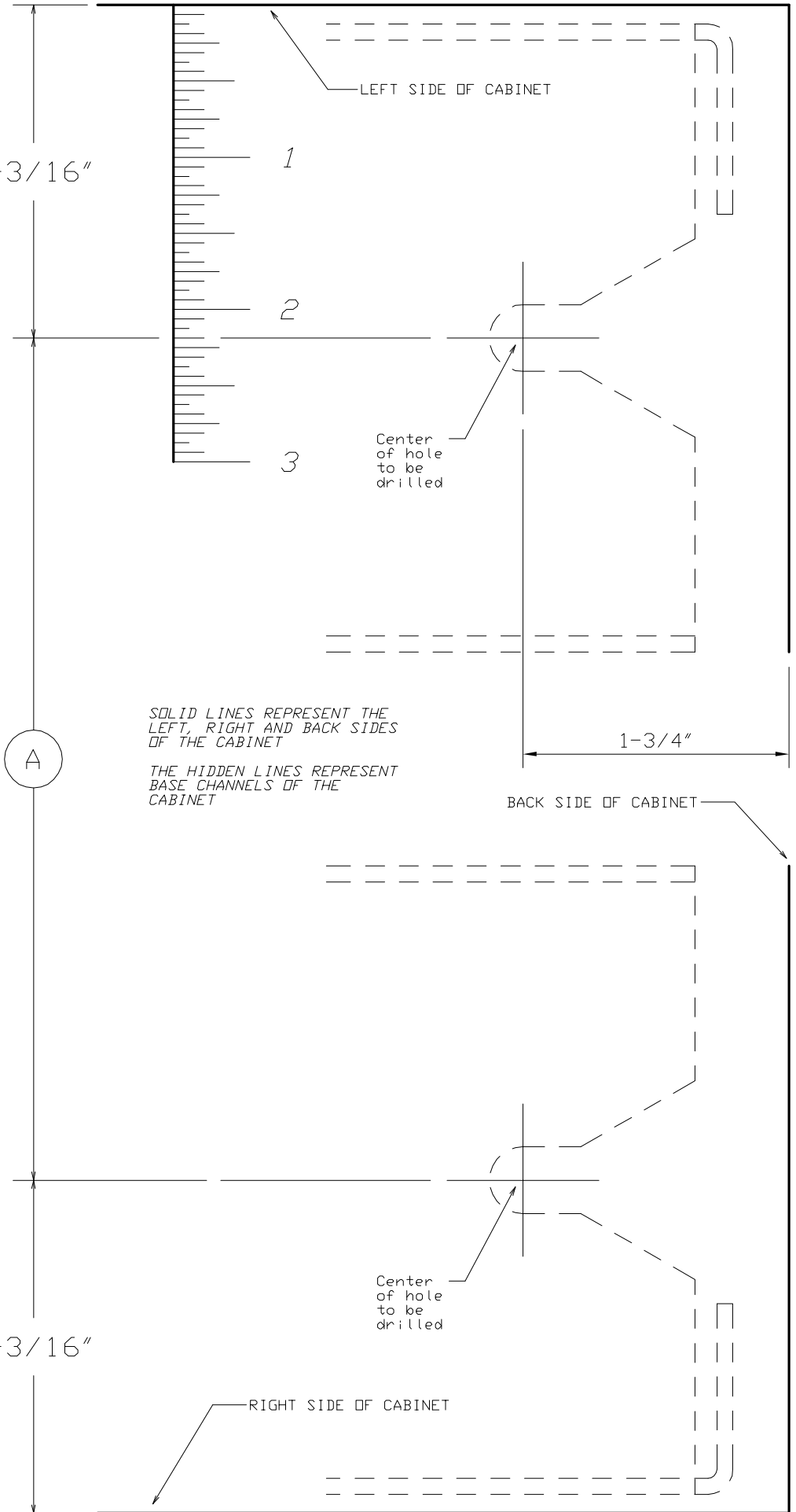
FOR WOODEN FLOOR: DRILL (2)  
1/4" DIAMETER HOLES 1 3/4" DEEP.

2-3/16"

NOMINAL CABINET WIDTH	ACTUAL CABINET WIDTH	A
23 WIDE	22-13/16"	18-7/16"
30 WIDE	30"	25-5/8"
36 WIDE	36-3/8"	32"
45 WIDE	44-3/8"	40"
60 WIDE	59-5/8"	55-1/4"

A

2-3/16"



SOLID LINES REPRESENT THE LEFT, RIGHT AND BACK SIDES OF THE CABINET

THE HIDDEN LINES REPRESENT THE BASE CHANNELS OF THE CABINET