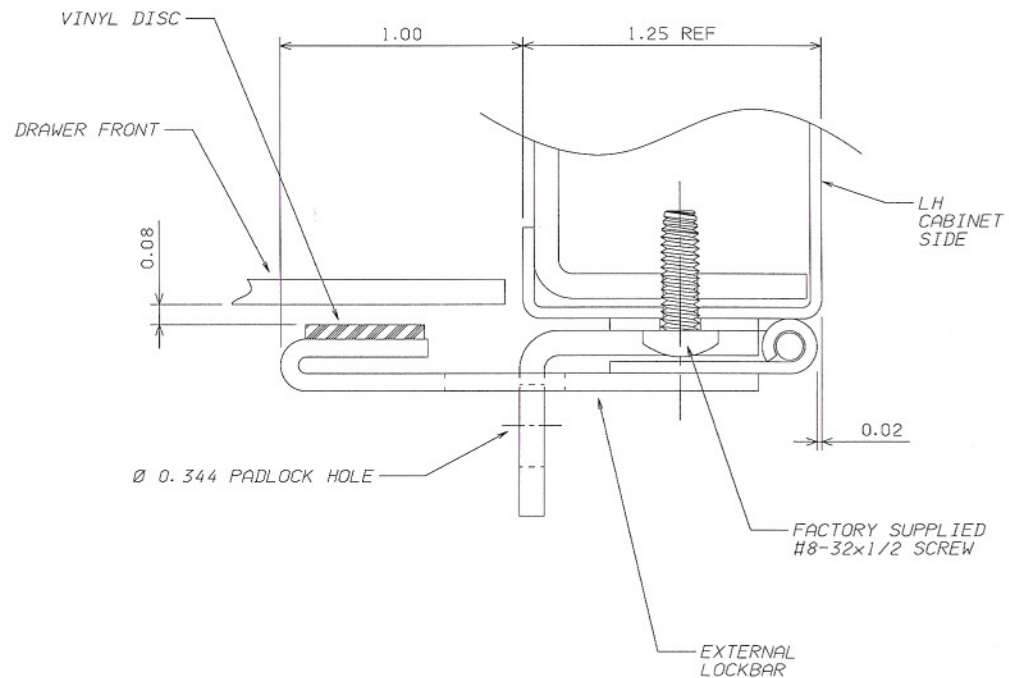


RIGHT HAND FRONT VIEW of CABINET



- 1) DRILL TOP AND BOTTOM HOLES INTO THE RIGHT FRONT SIDE OF HOUSING AS SHOWN USING A #27 DRILL (\emptyset 0.144).
- 2) FASTEN EXTERNAL LOCKBAR TO CABINET USING #8-32x1/2 PHILLIPS PAN HEAD TAPTITE THREAD FORMING SCREWS.
- 3) ADJUST EXTERNAL LOCKBAR FOR FIT, TIGHTEN SCREWS.
- 4) USING THE HINGE LEAF AS A GUIDE, DRILL REMAINING HOLES AND FASTEN SCREWS.

SYM	REL FOR PRODUCTION		11-15-02	RE
	REVISION	ECN	DATE	BY
NOTES:				
1) ALL DIMENSIONS ARE INCHES				
MATERIAL				

RAW P/N	WEIGHT (LB)	FINISH:		
---	---	---		
DATE	DRAWN BY	CHECKED BY		
11-15-02	RE	DV		
LYON		LYON METAL PRODUCTS		
		PO BOX 671 AURORA, IL 60507 (800) 325-0082 FAX: (800) 367-6681		
MDC	DESCRIPTION			
	INSTALLATION - EXTERNAL LOCKBAR			
SHEET	DWG NUMBER		REV	
	SS0865		1	

NOTICE: THIS IS A CONFIDENTIAL DISCLOSURE
LOANED BY SST FOR REFERENCE PURPOSES ONLY