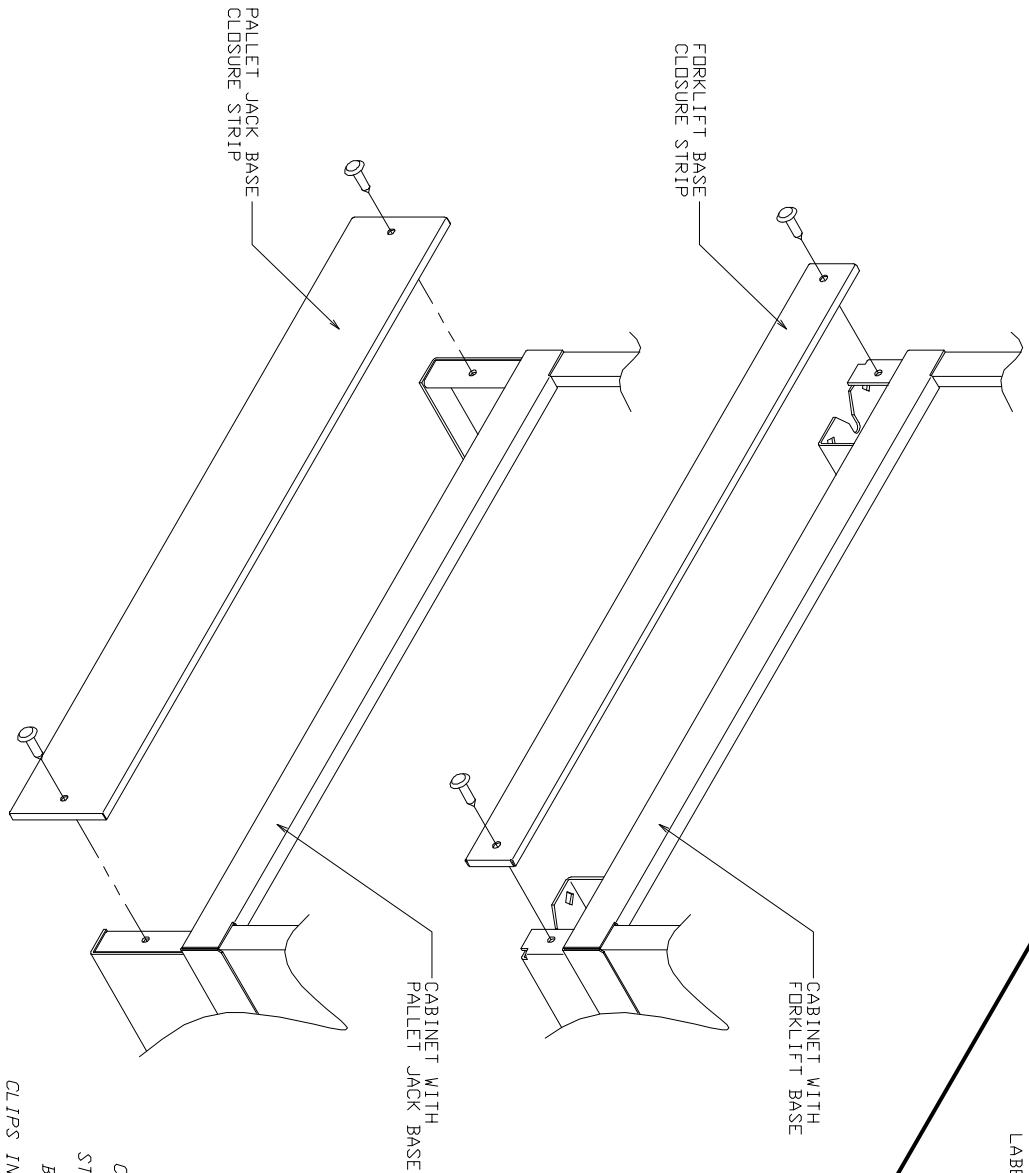
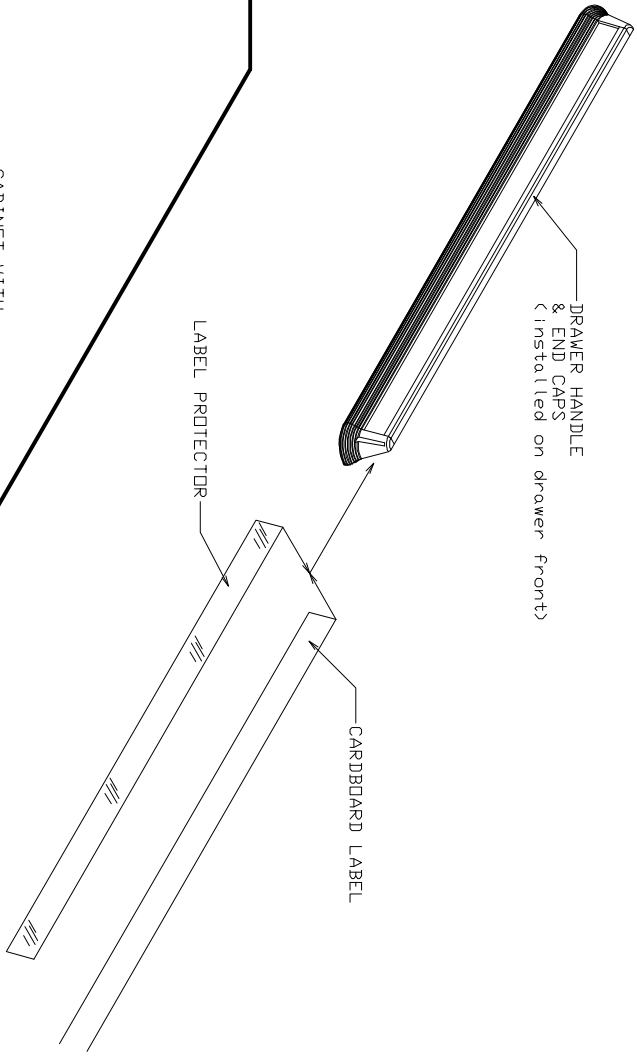


**DRAWER LABEL ASSEMBLY**

LABEL CONTENTS OF DRAWER ON CARDBOARD LABEL. PLACE A LABEL PROTECTOR OVER THE CARDBOARD LABEL, AND INSERT BOTH INTO SLOT OF RIGHT HAND END CAP AS SHOWN. LABEL AND PROTECTOR WILL "DROP" INTO PLACE WHEN FULLY INSERTED. TO REMOVE, PUSH LABEL AND PROTECTOR UP SLIGHTLY BEFORE SLIDING TO THE RIGHT. IF INSTALLING ON SLIMLINE CABINET, CUT LABEL AND PROTECTOR TO A LENGTH OF 13-3/8" BEFORE INSERTING INTO DRAWER HANDLE.



**CLOSURE ASSEMBLY**

PRESS TWO (2) BLACK TREE CLIPS INTO HOLES ON CLOSURE STRIP. ATTACH THIS ASSEMBLY BY PRESSING END OF THE TREE CLIPS INTO HOLES ON BASE CHANNELS.

**LYON**  
 P.O. Box 671  
 AURORA, IL 60507-0671  
 PHONE: 630-892-2841  
 FAX: 800-287-4681

NOTICE: THIS IS A CONFIDENTIAL DISCLOSURE LOANED BY LYON WORKSPACE FOR REFERENCE PURPOSES ONLY  
 DATE: 01-28-12  
 DRAWN BY: JR  
 CHECKED BY: DMV

DESCRIPTION  
 INSTALLATION  
 CLOSURE STRIP/DRAW LABEL  
 MDC

SHEET	DRAWING NUMBER	REV
-	SS1324	1