

LEFT SIDE OF CABINET

RIGHT SIDE OF CABINET

SCREW DOOR ASSEMBLY TO CABINET HOUSING USING FOUR (4) 1/4-20x1/2 TORX PAN HEAD SELF-TAPPING SCREWS. 9SP0230/103383.

\* (WHEN ASSEMBLING A 49 or 68 SEGMENT DOOR, ATTACH WITH SIX (6) SCREWS.)

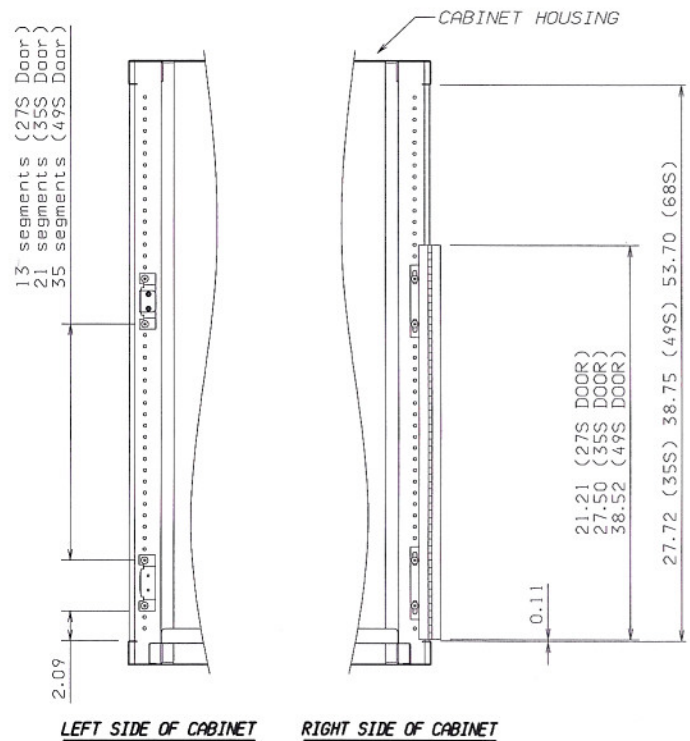
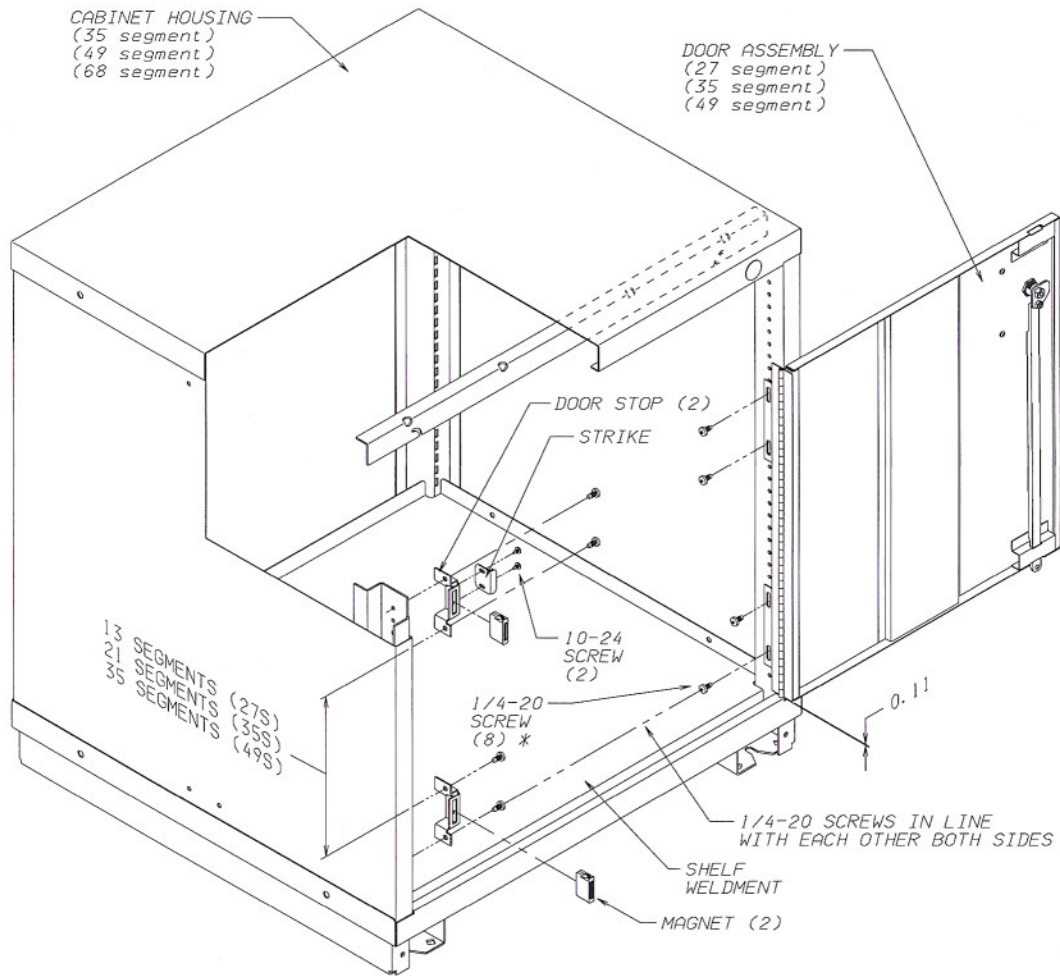
ASSEMBLE DOOR STOPS AT LOCATIONS SHOWN USING FOUR (4) 1/4-20x1/2 TORX PAN HEAD SELF-TAPPING SCREWS. 9SP0230/103383.

INSERT MAGNETS INTO SLOTS OF DOOR STOPS.

ATTACH STRIKE TO TOP DOOR STOP USING #10-24x5/16 SELF-TAPPING SCREWS. 9SP0118/102200.

ADJUST DOOR FOR FIT, TIGHTEN SCREWS.

NOTICE: THIS IS A CONFIDENTIAL DISCLOSURE LOANED BY SSI FOR REFERENCE PURPOSES ONLY	REL FOR PROD	0565	06-23-08	RE	
	SYM	REVISION	ECN	DATE	BY
	NOTES:				
	1) ALL DIMENSIONS ARE INCHES				
	MATERIAL				
	---				
	RAW P/N	WEIGHT(LB)	FINISH:		
	103610	-	-		
	DATE	DRAWN BY	CHECKED BY		
	06-23-08	RE	DV		
<b>LYON</b> LYON METAL PRODUCTS PO BOX 671 AURORA, IL 60507 (800) 323-0082 FAX: (800) 367-6681					
MDCII	DESCRIPTION				
<b>SHING DOOR INSTALL STD 22/30/36V</b>					
SHEET	DWG NUMBER			REV	
1	<b>SS1361</b>			1	



SCREW DOOR ASSEMBLY TO CABINET HOUSING USING FOUR (4) 1/4-20x1/2 TORX PAN HEAD SELF-TAPPING SCREWS. 9SP0230/103383.  
 \* (WHEN ASSEMBLING A 49 SEGMENT DOOR, ATTACH WITH SIX (6) SCREWS.)

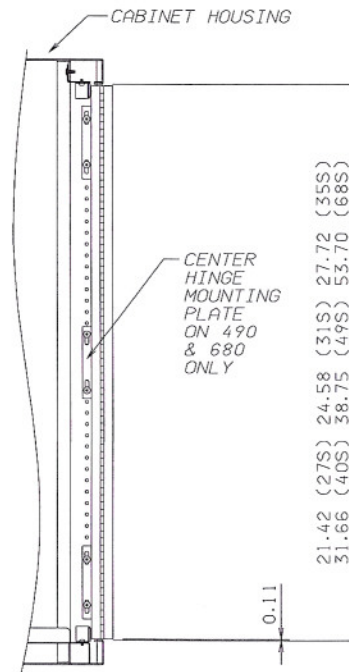
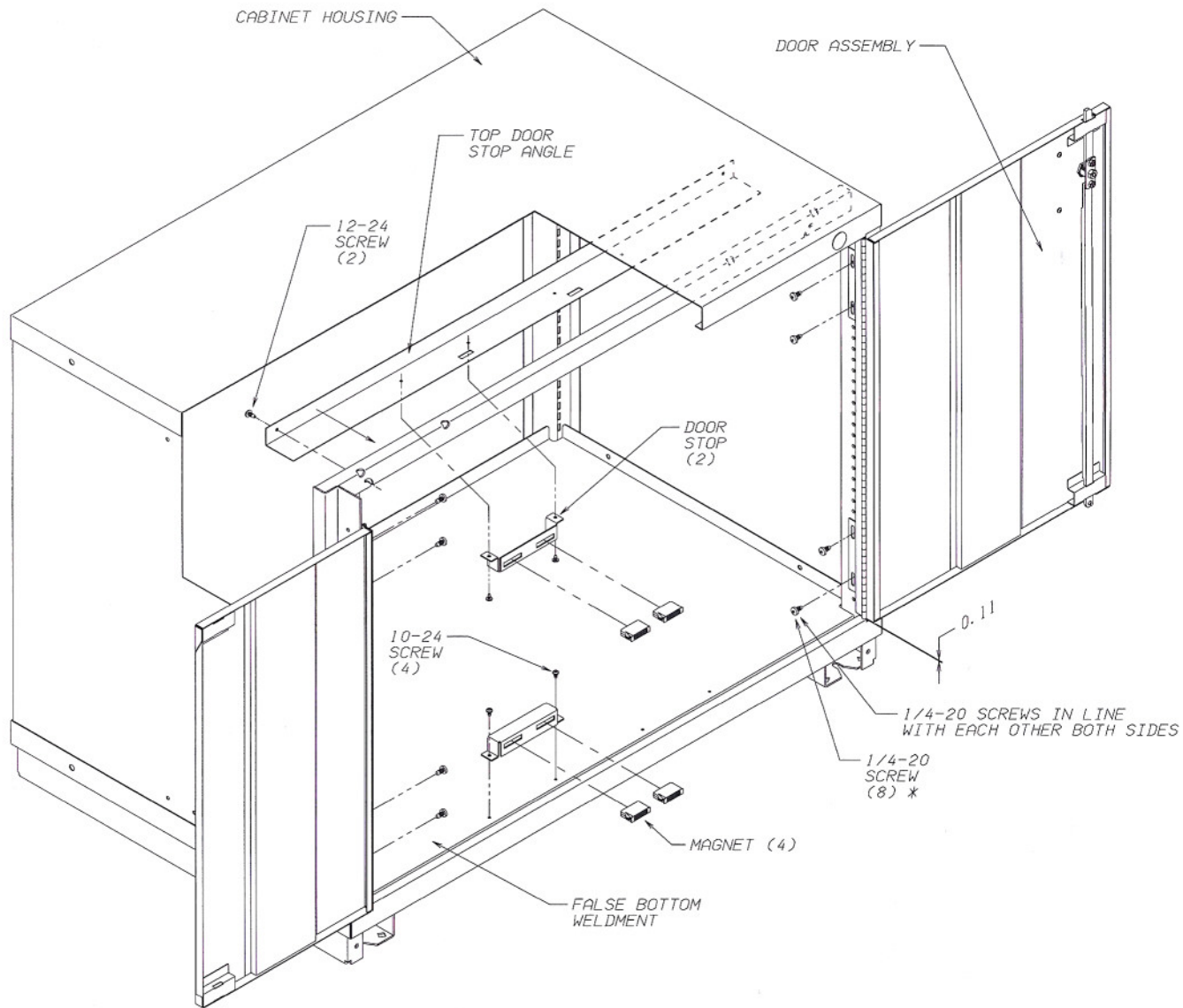
ASSEMBLE DOOR STOPS AT LOCATIONS SHOWN USING FOUR (4) 1/4-20x1/2 TORX PAN HEAD SELF-TAPPING SCREWS. 9SP0230/103383.

INSERT MAGNETS INTO SLOTS OF DOOR STOPS.

ATTACH STRIKE TO TOP DOOR STOP USING #10-24x5/16 SELF-TAPPING SCREWS. 9SP0118/102200.

ADJUST DOOR FOR FIT, TIGHTEN SCREWS.

NOTICE: THIS IS A CONFIDENTIAL DISCLOSURE LOANED BY SSI FOR REFERENCE PURPOSES ONLY	REL FOR PRODUCTION	0565	06-13-08	RE	
	SYM	REVISION	ECN	DATE	BY
	NOTES:				
	1) ALL DIMENSIONS ARE INCHES				
	MATERIAL				
	---				
	RAW P/N	WEIGHT(LB)	FINISH:		
	103610	-	-		
	DATE	DRAWN BY	CHECKED BY		
	06-23-08	RE	DV		
<b>LYON</b>		LYON METAL PRODUCTS			
		PO BOX 671 AURORA, IL 60507			
		(800) 325-0082 FAX: (800) 367-6681			
MDCII	DESCRIPTION				
	SHING DOOR INSTALL COMBO 22/30/36W				
SHEET	DWG NUMBER			REV	
2	SS1361			1	



**RIGHT SIDE OF CABINET**  
(LEFT SIDE IS A MIRROR IMAGE)

SCREW DOOR ASSEMBLIES TO CABINET HOUSING USING EIGHT (8) 1/4-20x1/2 TORX PAN HEAD SELF-TAPPING SCREWS. 9SP0230/103383.

\* (WHEN ASSEMBLING 49 or 68 SEGMENT DOORS, ATTACH WITH TWELVE (12) SCREWS.)

ASSEMBLE TOP DOOR STOP ANGLE TO CABINET HOUSING AS SHOWN USING TWO (2) 12-24x1/4 PHILLIPS PAN HEAD SELF-TAPPING SCREWS.

OSP00059/101689.

ASSEMBLE DOOR STOPS AT LOCATIONS SHOWN USING FOUR (4) 1/4-20x1/2 TORX PAN HEAD SELF-TAPPING SCREWS. 9SP0230/103383.

45 WIDE CABINETS WILL UTILIZE THE FAR LEFT HOLES AND 60 WIDE THE FAR RIGHT. INSERT MAGNETS INTO SLOTS OF DOOR STOPS.

ADJUST DOOR FOR FIT, TIGHTEN SCREWS.

NOTICE: THIS IS A CONFIDENTIAL DISCLOSURE LOANED BY SSI FOR REFERENCE PURPOSES ONLY	REL FOR PRODUCTION	0565	06-23-08	RE	
	SYM	REVISION	ECN	DATE	
	NOTES:				
	1) ALL DIMENSIONS ARE INCHES				
	MATERIAL				
	---				
	RAW P/N	WEIGHT(LB)	FINISH:		
	103611	-	-		
	DATE	DRAWN BY	CHECKED BY		
	06-23-08	RE	DV		
<b>LYON</b>		LYON METAL PRODUCTS			
		PO BOX 671 AURORA, IL 60507			
		(800) 323-0082 FAX: (800) 367-6681			
MDCII	DESCRIPTION				
	SWING DOOR INSTALL 45/60W				
SHEET	DWG NUMBER			REV	
	SS1426			1	