

**CABINET TOP DRILLING**

Cabinet top drilling is only required when attaching a steel top to the cabinet. For wood style tops, use knockouts in lieu of drilling. Remove sufficient top drawers and carriers from the cabinet, marking specific locations for reinstallation. Drill two (2) 5/16" diameter holes in the locations as shown below.

**WOOD, SHOP TOP, LAMINATE, STAINLESS STEEL TOP ATTACHMENT**

Drill four (4) 13/64" diameter 1" deep holes on the underside of the Wood Top as shown. Align the holes in the top of the Cabinet and Panel Leg with the holes in the Wood Top. Attach with the 1/4" x 1" Lag Screws and 1/4" Flat Washers. (Lubricate the screw threads prior to assembly). Replace drawers and carriers into specific locations and check for proper drawer operation.

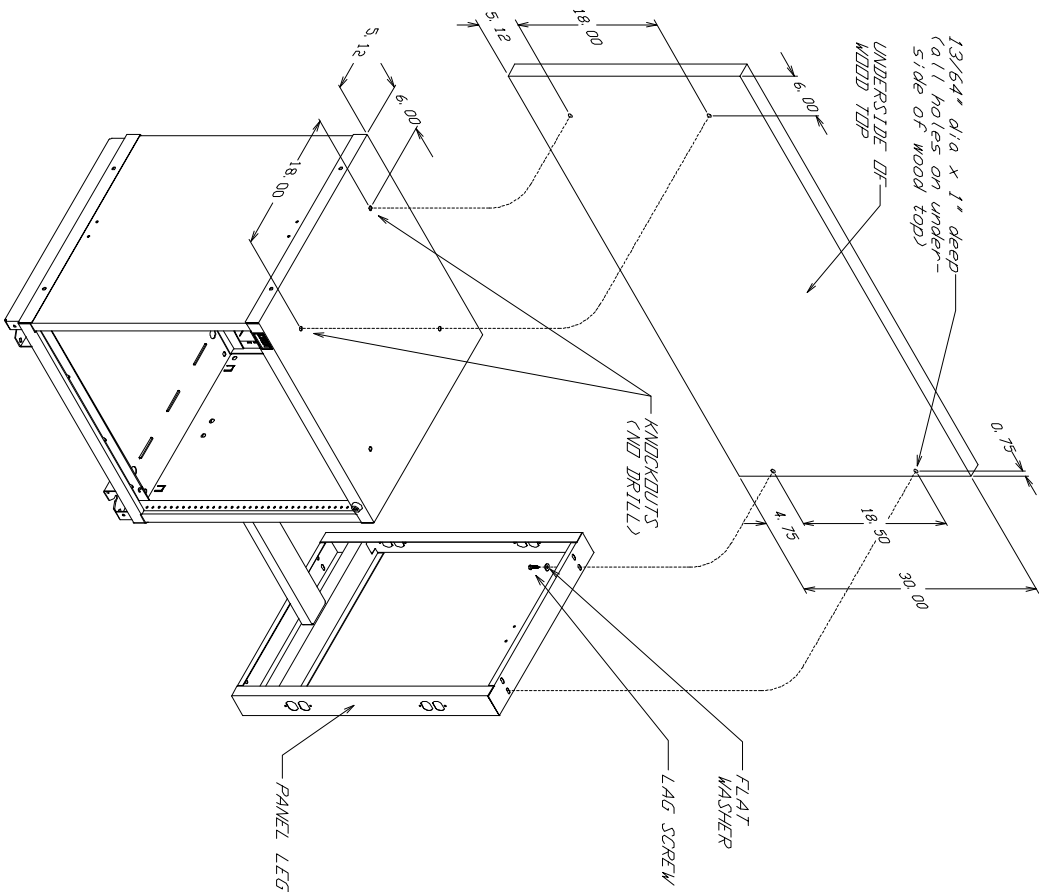
**SUPPLIED HARDWARE (for WOOD TOP)**



1/4 x 1" HEX HEAD LAG SCREW



1/4" FLAT WASHER



**ONE WOOD TOP TO ONE CABINET AND PANEL LEG**

**STEEL TOP ATTACHMENT**

Align the holes in the top of the Cabinet and Panel Leg with the holes in the Steel Top. Attach with the 1/4-20 x 1" Thread Cutting Screws and #12 Countersunk Washers. Replace drawers and carriers into specific locations and check for proper drawer operation.

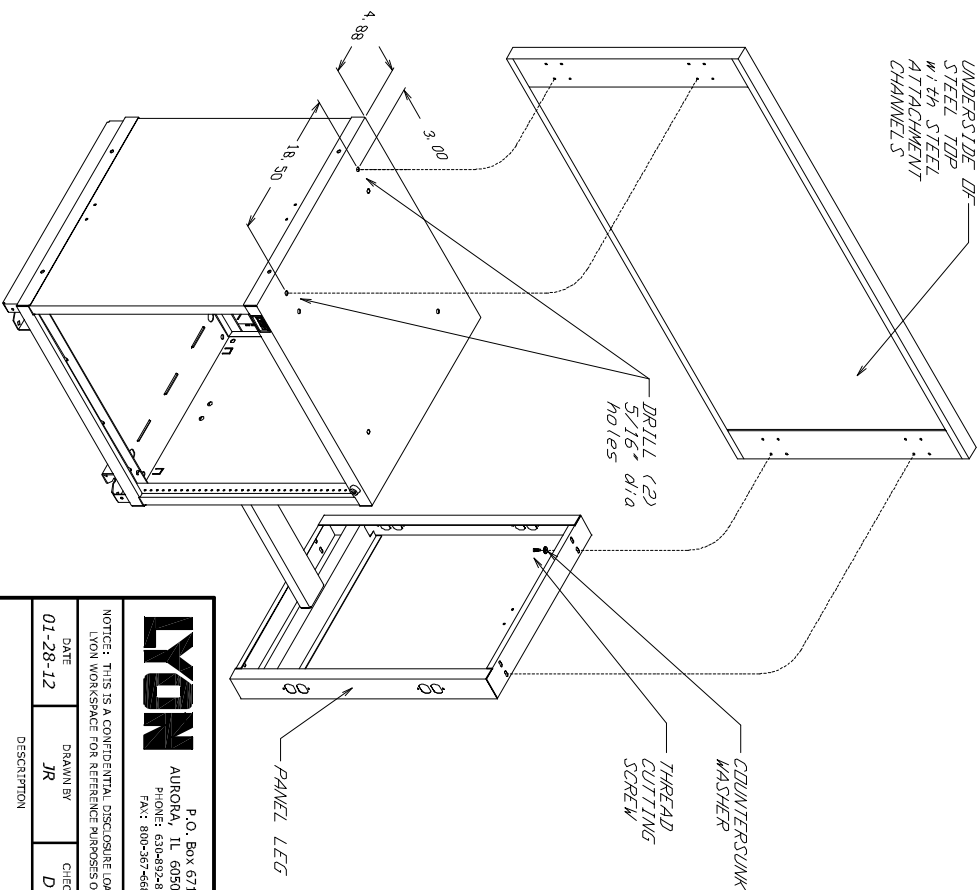
**SUPPLIED HARDWARE (for STEEL TOP)**



1/4-20 x 3/4" TORX FLAT HEAD THREAD CUTTING SCREW



#12 COUNTERSUNK WASHER



**ONE STEEL TOP TO ONE CABINET AND PANEL LEG**

**LYON**

P.O. Box 671  
AURORA, IL 60507-0671  
PHONE: 630-892-8941  
FAX: 800-367-6681

NOTICE: THIS IS A CONFIDENTIAL DISCLOSURE LOANED BY LYON WORKSPACE FOR REFERENCE PURPOSES ONLY

DATE: 01-28-12  
DRAWN BY: JR  
CHECKED BY: DMV

DESCRIPTION

INSTALLATION  
30D TOP to CBT & PANEL LEG  
MDC

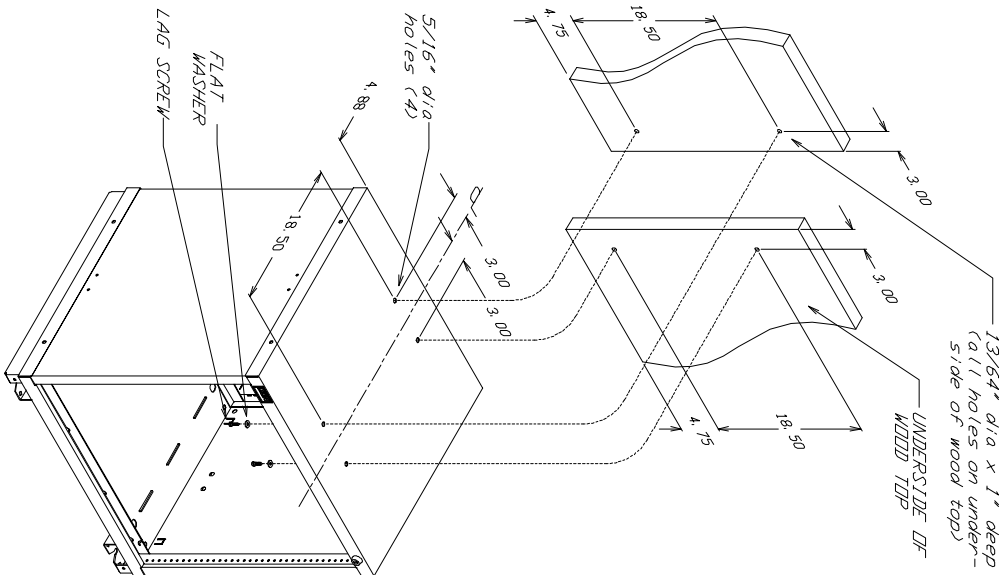
| SHEET | DRAWING NUMBER | REV |
|-------|----------------|-----|
| 1     | SS1436         | 1   |

### CABINET TOP DRILLING

Regardless of the type of Top you will be attaching to the Cabinet, the drill pattern will be the same. Remove sufficient top drawers and carriers from the Cabinet, marking specific locations for reinstallation. Drill four (4) 5/16" diameter holes in the locations as shown below.

### WOOD TOP ATTACHMENT

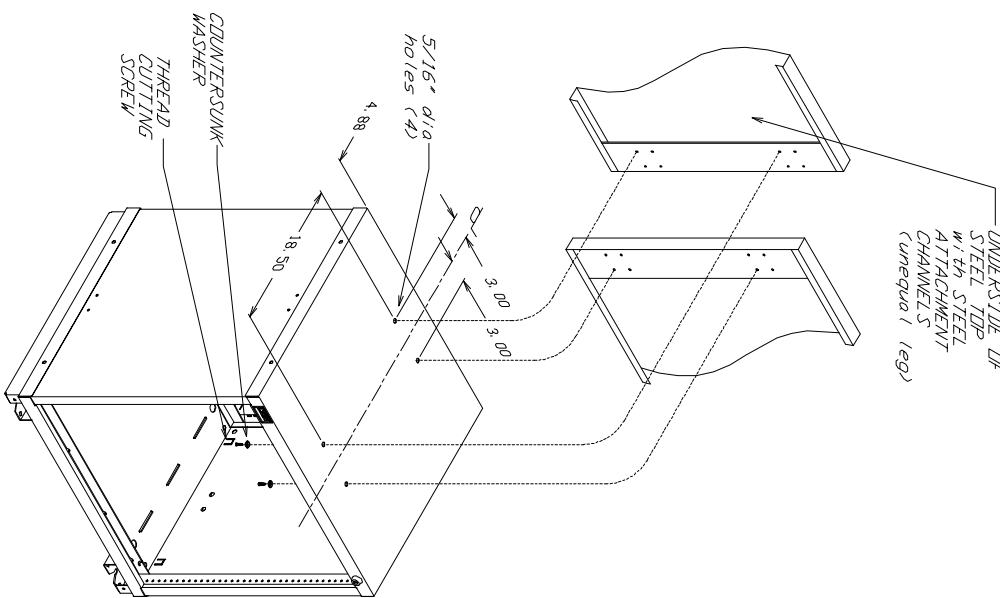
Drill two (2) 13/64" diameter 1" deep holes on each underside of the Wood Tops as shown. Align the holes in the top of the Cabinet with the holes in the Wood Tops. Attach with the 1/4" x 1" Lag Screws and 1/4" Flat Washers. (Lubricate the screw threads prior to assembly). Replace drawers and carriers into specific locations and check for proper drawer operation.



**TWO WOOD TOPS TO ONE CABINET**

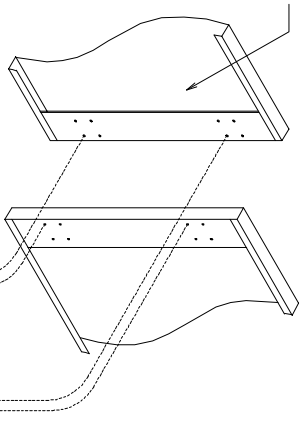
### STEEL TOP ATTACHMENT

Align the holes in the top of the Cabinet with the holes in the Steel Tops. Attach with the 1/4"-20 x 1" Thread Cutting Screws and #12 Countersunk Washers. Replace drawers and carriers into specific locations and check for proper drawer operation.



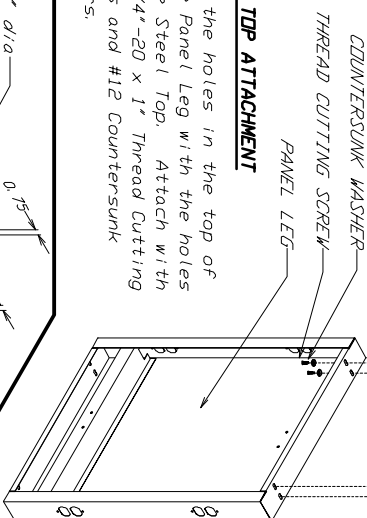
**TWO STEEL TOPS TO ONE CABINET**

UNDERSIDE OF STEEL TOP WITH STEEL ATTACHMENT CHANNELS (unequal leg)



### STEEL TOP ATTACHMENT

Align the holes in the top of the Panel Leg with the holes in the Steel Top. Attach with the 1/4"-20 x 1" Thread Cutting Screws and #12 Countersunk Washers.



### WOOD TOP ATTACHMENT

Drill two (2) 13/64" diameter 1" deep holes on each underside of the Wood Tops as shown. Align the holes on the top of the Cabinet with the holes in the Wood Tops. Attach with the 1/4" x 1" Lag Screws and 1/4" Flat Washers. (Lubricate the screw threads prior to assembly).

