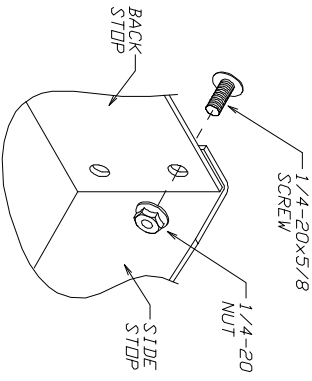
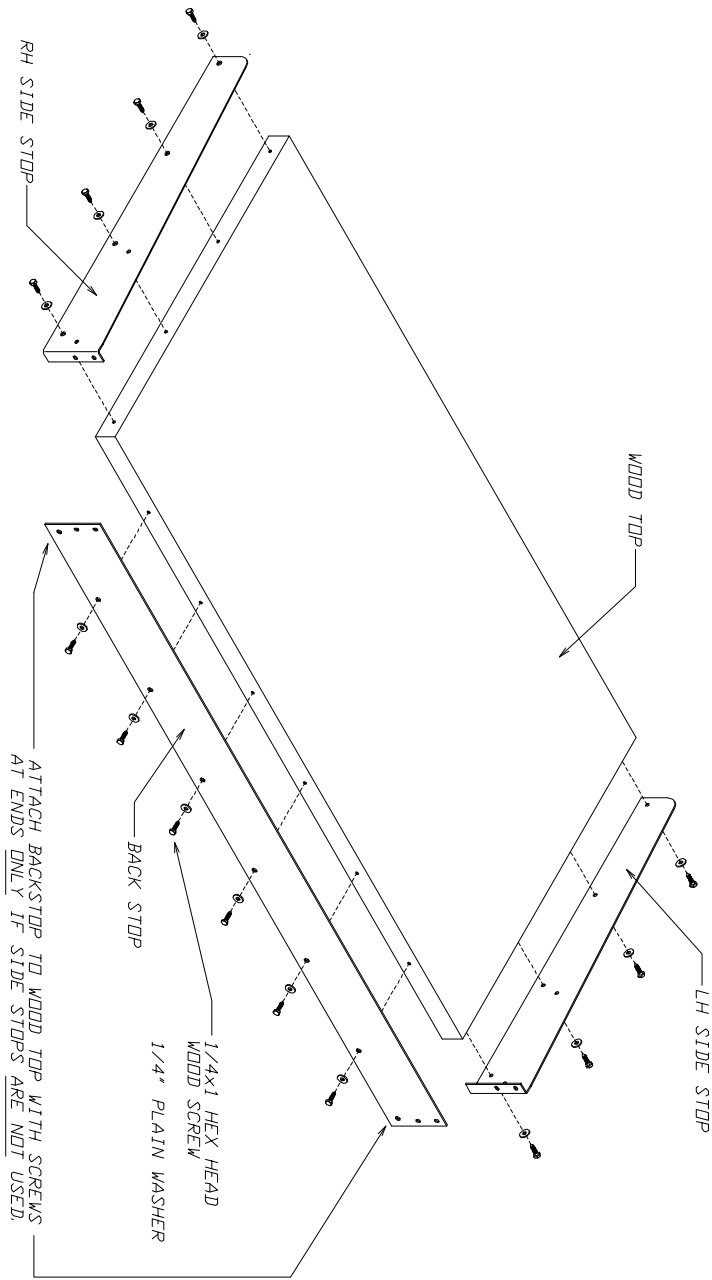
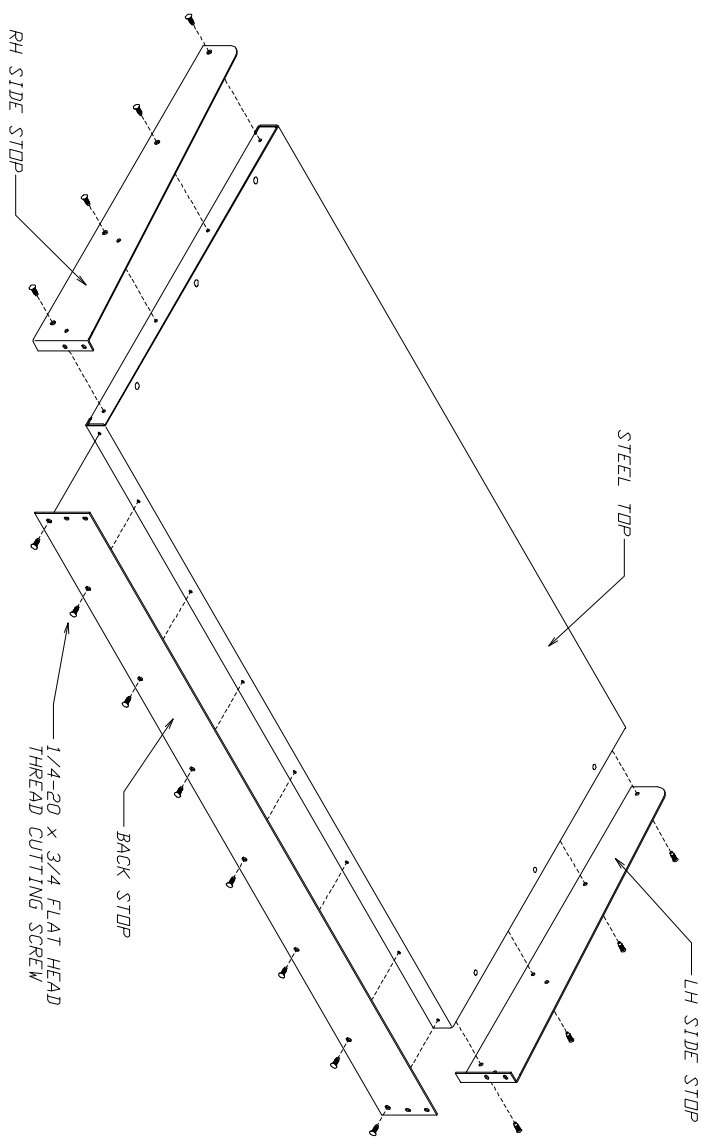


STEEL TOP INSTALL

- 1) ATTACH BACKSTOP TO TOP PAN WITH SUPPLIED THREAD CUTTING SCREWS AS SHOWN. BE SURE THAT THE COUNTERSINK ON THE BACKSTOP IS FACING OUTWARDS.
- 2) ATTACH SIDE STOPS AS SHOWN IN THE SAME MANNER. BE SURE THE FORM IS BEHIND THE BACKSTOP.
- 3) CONNECT THE BACKSTOP TO THE SIDE STOPS AS SHOWN WITH #1/4-20 SCREWS AND NUTS.

WOOD TOP INSTALL

- 1) LINE UP BOTTOM OF BACK STOP AND SIDE STOPS WITH THE BOTTOM EDGE OF THE TOP. USING THE HOLES IN THE BACKSTOP AND SIDE STOPS AS A GUIDE, DRILL 13/64" DIAMETER x 1" DEEP HOLES INTO THE TOP, LAG SCREWS AND WASHERS.
- 2) ATTACH THE BACKSTOP AND SIDE STOPS USING 1/4" LAG SCREWS AND WASHERS.
- 3) CONNECT THE BACKSTOP TO THE SIDE STOPS AS SHOWN WITH #1/4-20 SCREWS AND NUTS.



ATTACHMENT OF BACK TO SIDE STOP

<p>LYON P.O. Box 671 AURORA, IL 60507-0671 PHONE: 630-892-8841 FAX: 800-567-6681</p>	
<p>NOTICE: THIS IS A CONFIDENTIAL DISCLOSEURE LOANED BY LYON WORKSPACE FOR REFERENCE PURPOSES ONLY</p>	<p>DATE: 01-28-12 DRAWN BY: JR CHECKED BY: DMV</p>
<p>DESCRIPTION: INSTALLATION 60/72W 30D SIDE/BACK STOP MDC</p>	
<p>SHEET: - DRAWING NUMBER: SS1439</p>	<p>REV: 1</p>