

ASSEMBLY INSTRUCTIONS

ASSEMBLE LEGS AS SHOWN TO TOP PAN USING 1/4-20x9/16 CARRIAGE SCREWS AND 1/4-20 FLANGED NUTS. THE TOP PAN WILL BE ON THE "OUTSIDE" OF THE LEGS.

ASSEMBLE SUPPORT PANEL AS SHOWN USING 1/4-20x9/16 CARRIAGE SCREWS AND 1/4-20 FLANGED NUTS. THE SUPPORT PANEL WILL BE ON THE "INSIDE" OF THE LEGS.

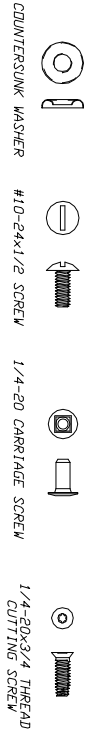
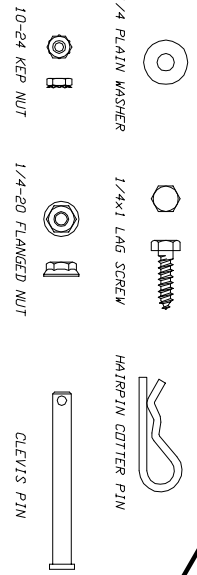
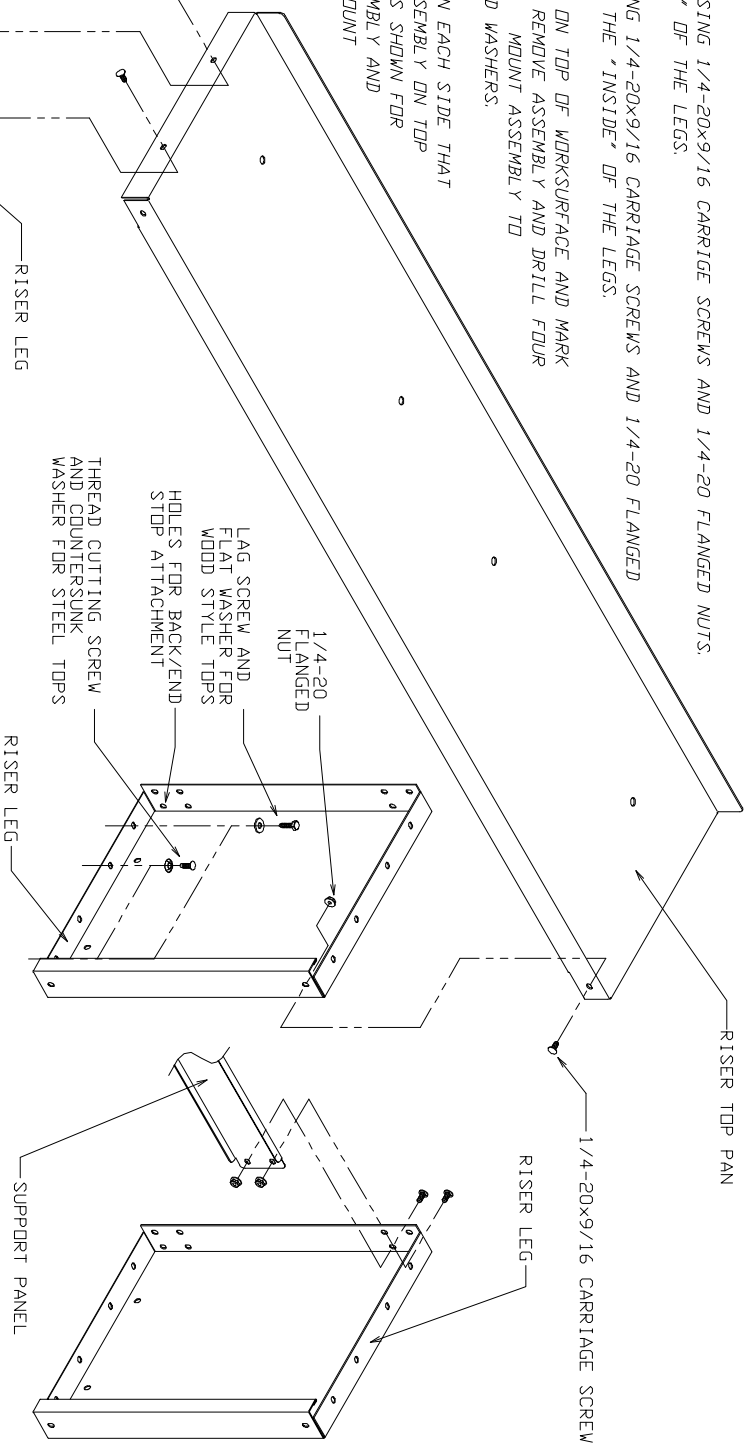
FOR WOOD STYLE TOPS, PLACE ASSEMBLY ON TOP OF WORKSURFACE AND MARK LOCATIONS AS SHOWN FOR LAG SCREWS. REMOVE ASSEMBLY AND DRILL FOUR 13/64" DIAMETER HOLES ONE INCH DEEP. MOUNT ASSEMBLY TO WORKSURFACE WITH 1/4" LAG SCREWS AND WASHERS.

FOR STEEL TOPS, REMOVE REAR SCREW ON EACH SIDE THAT HOLDS END STOPS ONTO TOP. PLACE ASSEMBLY ON TOP OF WORKSURFACE AND MARK LOCATIONS AS SHOWN FOR THREAD CUTTING SCREWS. REMOVE ASSEMBLY AND DRILL TWO 0.221" DIAMETER HOLES. MOUNT ASSEMBLY TO WORKSURFACE WITH 1/4-20x3/4 THREAD CUTTING SCREWS AND COUNTERSUNK WASHERS.

NOTE: IF BACK AND SIDE STOPS ARE USED, THE LEGS CAN BE ATTACHED USING HOLES IN LEGS.

LIGHT FIXTURE

IF ASSEMBLING OPTIONAL LIGHT FIXTURE, ATTACH TO UNDERSIDE OF TOP PAN (NOT SHOWN). REMOVE LENS COVER AND BALAST COVER, ATTACH TWO LIGHT SUPPORT BRACKETS USING 10-24x1/2 SCREWS AND 10-24 HEX KEEP NUTS AS SHOWN. LOCATE LIGHT FIXTURE TO UNDER-SIDE AND ATTACH USING TWO CLEVIS PINS AND HAIRPIN COTTER PINS. THE SUPPORT BRACKETS WILL FIT AROUND THE REINFORCEMENT AND ARE HELD IN PLACE BY INSERTING THE CLEVIS PINS THROUGH THE HOLES IN BOTH THE REINFORCEMENT AND SUPPORT BRACKETS.



OPTIONAL LIGHT FIXTURE MOUNTED TO UNDERSIDE OF RISER TOP PAN (NOT SHOWN)

LYON
 P.O. Box 671
 AURORA, IL 60507-0671
 PHONE: 630-892-8841
 FAX: 800-867-4681

NOTICE: THIS IS A CONFIDENTIAL DISCLOSURE LOANED BY LYON WORKSPACE FOR REFERENCE PURPOSES ONLY
 DATE: 02-04-12
 DRAWN BY: JR
 CHECKED BY: DWV

DESCRIPTION
INSTALLATION
 RISER
 MDC

SHEET	-	REV	1
DRAWING NUMBER	SS1627		