

Color Selection

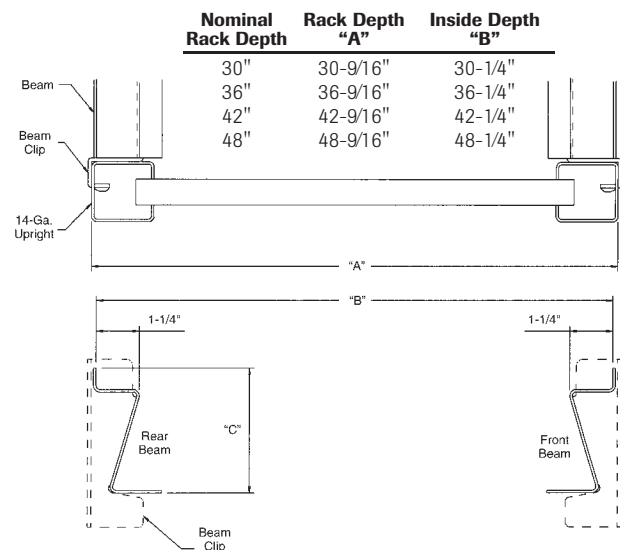
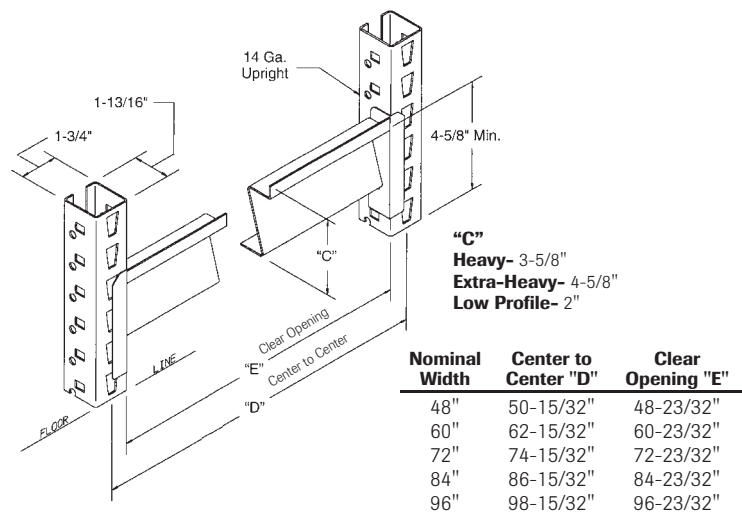
In Stock
DD Dove Gray

Also Available
PP Putty
BB Wedgewood Blue

HOW TO ORDER A CUSTOM BULK STORAGE RACK

LYON
Workspace Products

1 DIMENSIONS FOR BULK STORAGE RACKS



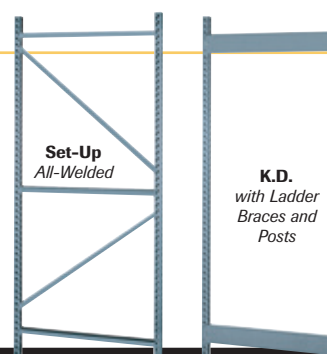
Step 1 - Select Upright Assembly

Choose **All-Welded** or **K.D.** (knocked down)

Welded Upright has tubular bracing, mig-welded to post, provides fast and less labor intensive installation.

K.D. Upright includes: two posts and two or more bolt on ladder braces. This option provides the most compact shipping footprint.

- Upright: 1-3/4" x 1-13/16"
- 14-gauge
- Adjustment on 1-1/2" centers
- 10,000 capacity per upright



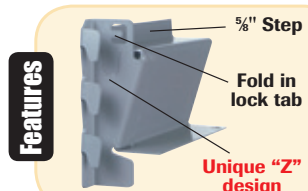
Depth	60" High		72" High		84" High		96" High		120" High		144" High	
	Set-Up Cat. No.	K.D. Cat. No.	Set-Up Cat. No.	K.D. Cat. No.	Set-Up Cat. No.	K.D. Cat. No.	Set-Up Cat. No.	K.D. Cat. No.	Set-Up Cat. No.	K.D. Cat. No.	Set-Up Cat. No.	K.D. Cat. No.
30"	64302	63302	64303	63303	64304	63304	64305	63305	64307	63307	64309	63309
36"	64362	63362	64363	63363	64364	63364	64365	63365	64367	63367	64369	63369
42"	64422	63422	64423	63423	64424	63424	64425	63425	64427	63427	64429	63429
48"	64482	63482	64483	63483	64484	63484	64485	63485	64487	63487	64489	63489

Step 2 - Select Beams

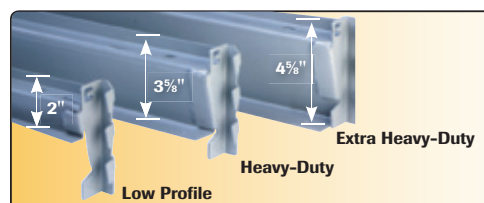
Unique "Z" beam design increases strength and load capacity, resists tipping and eliminates wasted space, front-to-back. Beam clips are mig-welded for added strength. Fold in lock tab easily engages for security against displacement.

• **Heavy- and Extra Heavy-Duty Beams** provide a full-range of function for commercial applications. Thicker height design offers a significant increase in capacity loads.

• **Low-Profile Beams** offer light weight, high-density alternative for commercial applications. Narrow height design increases vertical storage capacity.

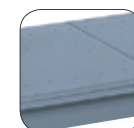


Nominal Width	Heavy-Duty		Extra-Heavy Duty		Low Profile	
	Cat. No.	Capacity	Cat. No.	Capacity	Cat. No.	Capacity
48"	62148	3,300 lbs.	62248	4,000 lbs.	62048	665 lbs.
60"	62160	2,600 lbs.	62260	4,000 lbs.	62060	530 lbs.
72"	62172	1,900 lbs.	62272	3,300 lbs.	62072	440 lbs.
84"	62184	1,775 lbs.	62284	3,300 lbs.	62084	380 lbs.
96"	62196	1,650 lbs.	62296	3,300 lbs.	62096	330 lbs.

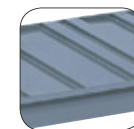


Step 3 - Select Decking

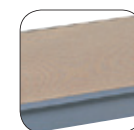
Two to three panels per level are required based on beam width (see chart).



Solid Decking - Features Lyon Heavy-Duty Industrial Shelves for a smooth uninterrupted decking surface.

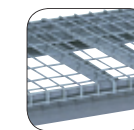


Ribbed Decking - Versatile 20-gauge ribbed decking. Ribs allow for space to grab packages easily and prevent pinched fingers. 1-1/4".

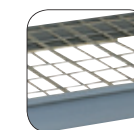


Particle Board Decking - Durable, 5/8" thick particle board decking.

Wire Decking - This deck is the best choice when air circulation and light penetration are required. Also allows water to flow in the event a sprinkler system is activated. Available in Frost Gray (add prefix FF to the Cat. No.) Choose heavy-duty waterfall or light-duty flat wire decking:



Heavy-Duty Waterfall Decking - Featuring 4" x 2" wire mesh with heavy gauge welded channels for added strength and a 1-1/4" waterfall along both front and rear edge, or



Light Duty Flat Wire Decking - Featuring 4" x 2" wire mesh with 5-gauge welded reinforcement wires.

Beam Width	Quantity of Decking Panels Required
48"	2-24" wide
60"	1-24" wide + 1-36" wide
72"	2-36" Wide
84"	2-24" wide + 1-36" wide
96"	1-24" wide + 2-36" wide

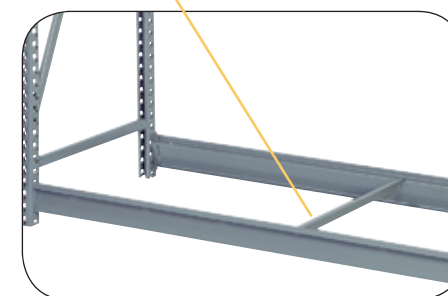
Width	Depth	Ribbed Decking		H. D. Wire Decking		Wire Decking		Solid Decking		Particle Board	
		Cat. No.	Capacity	Cat. No.	Capacity	Cat. No.	Capacity	Cat. No.	Capacity	Cat. No.	Capacity
24"	24"	65224	1,400 lbs.	65454	1,200 lbs.	65454FW	750 lbs.	*	*	*	*
24"	30"	65230	1,200 lbs.	65456	1,100 lbs.	*	*	*	*	*	*
24"	36"	65236	1,000 lbs.	65458	1,200 lbs.	65458FW	920 lbs.	8562H	800 lbs.	72508	750 lbs.
24"	42"	65242	800 lbs.	65460	1,000 lbs.	*	*	8567X	880 lbs.	8567X	750 lbs.
24"	48"	65248	600 lbs.	65462	1,000 lbs.	65462FW	340 lbs.	8302X	750 lbs.	8302X	750 lbs.
36"	24"	65324	1,800 lbs.	65472	1,200 lbs.	65472FW	460 lbs.	8562H	800 lbs.	8562H	1,000 lbs.
36"	30"	65330	1,600 lbs.	65474	1,100 lbs.	*	*	8585H	740 lbs.	8585H	1,000 lbs.
36"	36"	65336	1,400 lbs.	65476	1,200 lbs.	65476FW	545 lbs.	8586X	850 lbs.	8586X	1,000 lbs.
36"	42"	65342	1,100 lbs.	65478	1,000 lbs.	*	*	8589X	820 lbs.	8589X	1,000 lbs.
36"	48"	65348	900 lbs.	65480	1,000 lbs.	65480FW	385 lbs.	8592X	640 lbs.	8592X	1,000 lbs.

*Items available through manufactured schedule.

Step 4 - Select Front-to-Back Supports

One to four supports per level are required based on beam width and type of decking (see chart).

Used to minimize beam rotation under heavy loads. Also serves as a plywood support. No hardware or tools needed.

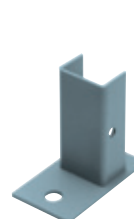


Rack Depth	Front-to-Back Supports Cat. No.
30"	65830
36"	65836
42"	65842
48"	65848

Minimum required when used with:

Beam Width	Plywood/ Particle Board	Solid/Ribbed/ Flat Wire/ No Deck
48"	2	1
60"	2	1
72"	3	2
84"	3	2
96"	4	2

Step 5 - Select Accessories



Anchoring Foot
To anchor upright assembly to floor. Dove Gray only. 1 foot per each post.
No. 65130

Wedge Anchor
3/8" dia x 3", 1 per post. 1 anchor per each foot.
No. 8861



Back-To-Wall Support
Bolts to upright member and wall to maintain shelving stability.
Overall Extension: 12" x 17-1/4".
No. 65145



Back-To-Back Support
Ties bulk storage rack back to back, maintains stability and spacing without interfering with storage space.
Overall Extension: 12" x 17-1/2".
No. 65140

Capacities shown are maximum safe evenly distributed static loads per pair of beams with front-to-back support. Upright capacities are based on beam centers no greater than 36".

POPULAR PRE-ENGINEERED RACKS

Pre-Engineered Bulk Storage Racks

Designed for the hand-loading of intermediate weight bulky items. In addition to storing packaged merchandise, it can be used for display racking. Heavy-duty 14-gauge steel beams included.

Color Selection

- In Stock**
- DD** Dove Gray
- Also Available**
- PP** Putty
- BB** Wedgewood Blue



Starter with No Decking
Front-To-Back supports per level:
60"w-1, 96"w-2

Starter with Solid Decking
Front-To-Back supports per level:
60"w-1, 96"w-2

Starter with Ribbed Decking
Front-To-Back supports per level:
60"w-1, 96"w-2



Starter with Waterfall H. D. Wire Decking
Front-To-Back supports per level:
60"w-1, 96"w-2



Starter with Particle Board
Front-To-Back supports per level:
60"w-2, 96"w-4

72" Wide Racks

96" Wide Racks

Levels	Height	Depth	Type	72" Wide Racks					96" Wide Racks				
				No Deck	Solid	Ribbed	H.D. Wire	Particle	No Deck	Solid	Ribbed	H.D. Wire	Particle
3	72"	36"	Starter	67313S	67313SD	67313SR	67313SW	67313SP	67513S	67513SD	67513SR	67513SW	67513SP
			Add-on	67313	67313D	67313R	67313W	67313P	67513	67513D	67513R	67513W	67513P
		48"	Starter	67315S	67315SD	67315SR	67315SW	67315SP	67515S	67515SD	67515SR	67515SW	67515SP
			Add-on	67315	67315D	67315R	67315W	67315P	67515	67515D	67515R	67515W	67515P
4	96"	36"	Starter	67333S	67333SD	67333SR	67333SW	67333SP	67533S	67533SD	67533SR	67533SW	67533SP
			Add-on	67333	67333D	67333R	67333W	67333P	67533	67533D	67533R	67533W	67533P
		48"	Starter	67335S	67335SD	67335SR	67335SW	67335SP	67535S	67535SD	67535SR	67535SW	67535SP
			Add-on	67335	67335D	67335R	67335W	67335P	67535	67535D	67535R	67535W	67535P

NOTE: In the interest of safety, Lyon strongly recommends that racks that are 72" or higher be floor and/or wall anchored. See page 3 for important anchoring accessories.

Integrated Storage Solutions-

Bulk Storage Rack + 8000 Series Shelving

Easily integrate 8000 Series tee post shelving with Bulk Storage Rack!

Make the transition from tee post shelving to bulk rack within one continuous uninterrupted run using the adjustable integration clip. Refer to the Lyon Full Line Catalog for more product offerings and sizes.



BULK STORAGE RACK

The ideal storage solution for oversized and bulky items

THE STORAGE SOLUTION

Bulk Storage Rack is the storage solution between the conventional light-duty shelving and heavy-duty pallet rack; can be configured in a multitude of heights, depths, and widths allowing for both front and back side accessibility of the rack.

- Quick and easy to assemble with simple tools
- BSR (Bulk Storage Rack) uprights are either all-welded (set-up) or with ladder braces and posts (knock-down)
- BSR beams are offered in three profiles with varying weight capacities
- "Z" beam shape design increases strength and capacity of member
- All mig-welded construction
- Integral 3 prong beam connector allowing beams to secure to post without hardware
- Use integration clips to connect 8000 Series Shelving and BSR storage



STORAGE SOLUTIONS.



1-800-323-0082
lyonworkspace.com