

Designed for the hand-loading of intermediate weight bulky items. In addition to storing cartoned merchandise, it can be used for display racking. Heavy-duty 14-gauge steel beams included. For specifications on individual components, see pages 64-67.



Starter with No Decking
Front-To-Back supports per level:
60"w-1, 72", 84", 96"w-2



Starter with Solid Decking
Front-To-Back supports per level:
60"w-1, 72", 84", 96"w-2



Starter with Ribbed Decking
Front-To-Back supports per level:
60"w-1, 72", 84", 96"w-2

Color Selection

In Stock

DD Dove Gray

Also Available

PP Putty

Levels	Height	Depth	Type	60" Wide Racks					72" Wide Racks				
				No Deck	Solid	Ribbed	H.D. Wire	Particle	No Deck	Solid	Ribbed	H.D. Wire	Particle
3	60"	24"	Starter	67201S	N/A	67201SR	67201SW	67201SP	67301S	67301SD	67301SR	67301SW	67301SP
			Add-on	67201	N/A	67201R	67201W	67201P	67301	67301D	67301R	67301W	67301P
		30"	Starter	67202S	67202SD	67202SR	67202SW	N/A	67302S	N/A	67302SR	67302SW	N/A
			Add-on	67202	67202D	67202R	67202W	N/A	67302	N/A	67302R	67302W	N/A
		36"	Starter	67203S	67203SD	67203SR	67203SW	67203SP	67303S	67303SD	67303SR	67303SW	67303SP
			Add-on	67203	67203D	67203R	67203W	67203P	67303	67303D	67303R	67303W	67303P
		48"	Starter	67205S	67205SD	67205SR	67205SW	67205SP	67305S	67305SD	67305SR	67305SW	67305SP
			Add-on	67205	67205D	67205R	67205W	67205P	67305	67305D	67305R	67305W	67305P
3	72"	24"	Starter	67211S	N/A	67211SR	67211SW	67211SP	67311S	67311SD	67311SR	67311SW	67311SP
			Add-on	67211	N/A	67211R	67211W	67211P	67311	67311D	67311R	67311W	67311P
		30"	Starter	67212S	67212SD	67212SR	67212SW	N/A	67312S	N/A	67312SR	67312SW	N/A
			Add-on	67212	67212D	67212R	67212W	N/A	67312	N/A	67312R	67312W	N/A
		36"	Starter	67213S	67213SD	67213SR	67213SW	67213SP	67313S	67313SD	67313SR	67313SW	67313SP
			Add-on	67213	67213D	67213R	67213W	67213P	67313	67313D	67313R	67313W	67313P
		48"	Starter	67215S	67215SD	67215SR	67215SW	67215SP	67315S	67315SD	67315SR	67315SW	67315SP
			Add-on	67215	67215D	67215R	67215W	67215P	67315	67315D	67315R	67315W	67315P
3	84"	24"	Starter	67221S	N/A	67221SR	67221SW	67221SP	67321S	67321SD	67321SR	67321SW	67321SP
			Add-on	67221	N/A	67221R	67221W	67221P	67321	67321D	67321R	67321W	67321P
		30"	Starter	67222S	67222SD	67222SR	67222SW	N/A	67322S	N/A	67322SR	67322SW	N/A
			Add-on	67222	67222D	67222R	67222W	N/A	67322	N/A	67322R	67322W	N/A
		36"	Starter	67223S	67223SD	67223SR	67223SW	67223SP	67323S	67323SD	67323SR	67323SW	67323SP
			Add-on	67223	67223D	67223R	67223W	67223P	67323	67323D	67323R	67323W	67323P
		48"	Starter	67225S	67225SD	67225SR	67225SW	67225SP	67325S	67325SD	67325SR	67325SW	67325SP
			Add-on	67225	67225D	67225R	67225W	67225P	67325	67325D	67325R	67325W	67325P
4	96"	24"	Starter	67231S	N/A	67231SR	67231SW	67231SP	67331S	67331SD	67331SR	67331SW	67331SP
			Add-on	67231	N/A	67231R	67231W	67231P	67331	67331D	67331R	67331W	67331P
		30"	Starter	67232S	67232SD	67232SR	67232SW	N/A	67332S	N/A	67332SR	67332SW	N/A
			Add-on	67232	67232D	67232R	67232W	N/A	67332	N/A	67332R	67332W	N/A
		36"	Starter	67233S	67233SD	67233SR	67233SW	67233SP	67333S	67333SD	67333SR	67333SW	67333SP
			Add-on	67233	67233D	67233R	67233W	67233P	67333	67333D	67333R	67333W	67333P
		48"	Starter	67235S	67235SD	67235SR	67235SW	67235SP	67335S	67335SD	67335SR	67335SW	67335SP
			Add-on	67235	67235D	67235R	67235W	67235P	67335	67335D	67335R	67335W	67335P

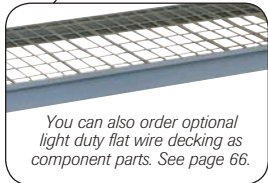
NOTE: In the interest of safety, Lyon strongly recommends that racks that are 72" or higher be floor and/or wall anchored. See page 72 for important anchoring information.



Starter with Waterfall H. D. Wire Decking
Front-To-Back supports per level:
60"w-1, 72", 84", 96"w-2



Starter with Particle Board
Front-To-Back supports per level:
60"w-2, 72"w-3, 96"w-4



You can also order optional light duty flat wire decking as component parts. See page 66.



Bulk Storage Racks integrates seamlessly with 8000 Series shelving for a complete storage system.



8000 Series/BSR Integration Clip
No. 65160

Levels	Height	Depth	Type	84" Wide Racks					96" Wide Racks				
				No Deck	Solid	Ribbed	H.D. Wire	Particle	No Deck	Solid	Ribbed	H.D. Wire	Particle
3	60"	24"	Starter	67401S	67401SD	67401SR	67401SW	N/A	67501S	67501SD	67501SR	67501SW	67501SP
			Add-on	67401	67401D	67401R	67401W	N/A	67501	67501D	67501R	67501W	67501P
		30"	Starter	67402S	N/A	67402SR	67402SW	N/A	67502S	N/A	67502SR	67502SW	N/A
			Add-on	67402	N/A	67402R	67402W	N/A	67502	N/A	67502R	67502W	N/A
		36"	Starter	67403S	67403SD	67403SR	67403SW	N/A	67503S	67503SD	67503SR	67503SW	67503SP
			Add-on	67403	67403D	67403R	67403W	N/A	67503	67503D	67503R	67503W	67503P
		48"	Starter	67405S	67405SD	67405SR	67405SW	N/A	67505S	67505SD	67505SR	67505SW	67505SP
			Add-on	67405	67405D	67405R	67405W	N/A	67505	67505D	67505R	67505W	67505P
3	72"	24"	Starter	67411S	67411SD	67411SR	67411SW	N/A	67511S	67511SD	67511SR	67511SW	67511SP
			Add-on	67411	67411D	67411R	67411W	N/A	67511	67511D	67511R	67511W	67511P
		30"	Starter	67412S	N/A	67412SR	67412SW	N/A	67512S	N/A	67512SR	67512SW	N/A
			Add-on	67412	N/A	67412R	67412W	N/A	67512	N/A	67512R	67512W	N/A
		36"	Starter	67413S	67413SD	67413SR	67413SW	N/A	67513S	67513SD	67513SR	67513SW	67513SP
			Add-on	67413	67413D	67413R	67413W	N/A	67513	67513D	67513R	67513W	67513P
		48"	Starter	67415S	67415SD	67415SR	67415SW	N/A	67515S	67515SD	67515SR	67515SW	67515SP
			Add-on	67415	67415D	67415R	67415W	N/A	67515	67515D	67515R	67515W	67515P
3	84"	24"	Starter	67421S	67421SD	67421SR	67421SW	N/A	67521S	67521SD	67521SR	67521SW	67521SP
			Add-on	67421	67421D	67421R	67421W	N/A	67521	67521D	67521R	67521W	67521P
		30"	Starter	67422S	N/A	67422SR	67422SW	N/A	67522S	N/A	67522SR	67522SW	N/A
			Add-on	67422	N/A	67422R	67422W	N/A	67522	N/A	67522R	67522W	N/A
		36"	Starter	67423S	67423SD	67423SR	67423SW	N/A	67523S	67523SD	67523SR	67523SW	67523SP
			Add-on	67423	67423D	67423R	67423W	N/A	67523	67523D	67523R	67523W	67523P
		48"	Starter	67425S	67425SD	67425SR	67425SW	N/A	67525S	67525SD	67525SR	67525SW	67525SP
			Add-on	67425	67425D	67425R	67425W	N/A	67525	67525D	67525R	67525W	67525P
4	96"	24"	Starter	67431S	67431SD	67431SR	67431SW	N/A	67531S	67531SD	67531SR	67531SW	67531SP
			Add-on	67431	67431D	67431R	67431W	N/A	67531	67531D	67531R	67531W	67531P
		30"	Starter	67432S	N/A	67432SR	67432SW	N/A	67532S	N/A	67532SR	67532SW	N/A
			Add-on	67432	N/A	67432R	67432W	N/A	67532	N/A	67532R	67532W	N/A
		36"	Starter	67433S	67433SD	67433SR	67433SW	N/A	67533S	67533SD	67533SR	67533SW	67533SP
			Add-on	67433	67433D	67433R	67433W	N/A	67533	67533D	67533R	67533W	67533P
		48"	Starter	67435S	67435SD	67435SR	67435SW	N/A	67535S	67535SD	67535SR	67535SW	67535SP
			Add-on	67435	67435D	67435R	67435W	N/A	67535	67535D	67535R	67535W	67535P

NOTE: In the interest of safety, Lyon strongly recommends that racks that are 72" or higher be floor and/or wall anchored. See page 72 for important anchoring information.



Step 1

Select Upright Assembly (see page 65)

Select Uprights by size in either fully welded set-up or knocked down

Step 2

Select Beam (see page 65)

Select Beam based on width of opening and weight capacity needed:

- Heavy and Extra Heavy-Duty "Z" Beams
- Low-Profile Beams

Step 3

Select Decking (see page 66)

Select Decking based on size and style desired:

- Solid Decking
- Particle Board Decking
- Ribbed Decking
- Wire Decking

Step 4

Select Front-to-Back Supports (see page 67)

Select Front-To-Back Support based on depth of upright and decking

Step 5

Select Accessories (see page 67)



Color Selection

In Stock

DD Dove Gray

Also Available

PP Putty



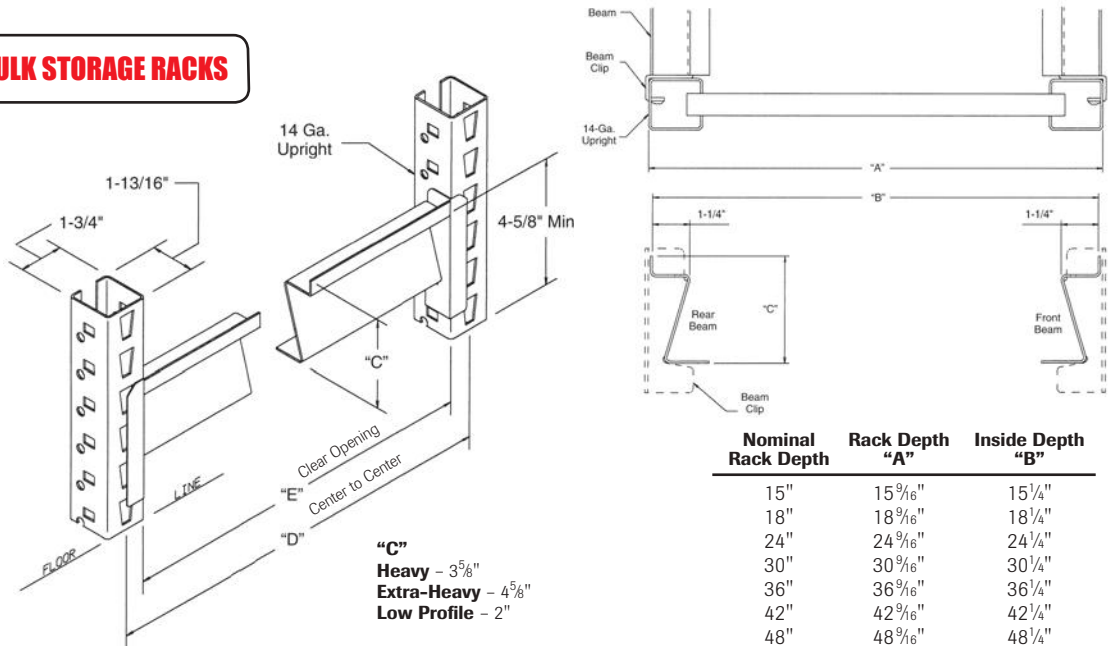
DIMENSIONS FOR BULK STORAGE RACKS

When figuring floor space for Lyon bulk storage racks, first add 4 7/8" to nominal beam length for width of single section.

Next, add 2 15/32" to nominal beam length for each additional section.

Then, add 9/16" to nominal depth of upright assembly.

Also, racks must be level and plumb and installed per assembly instruction #10206-AA.



- "C"**
- Heavy - 3 5/8"
 - Extra-Heavy - 4 5/8"
 - Low Profile - 2"

Nominal Rack Depth	Rack Depth "A"	Inside Depth "B"
15"	15 9/16"	15 1/4"
18"	18 9/16"	18 1/4"
24"	24 9/16"	24 1/4"
30"	30 9/16"	30 1/4"
36"	36 9/16"	36 1/4"
42"	42 9/16"	42 1/4"
48"	48 9/16"	48 1/4"

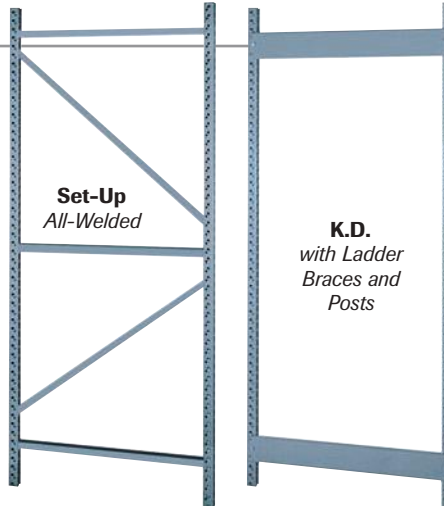
Capacities shown are maximum safe evenly distributed static loads per pair of beams with front-to-back support. Upright capacities are based on beam centers no greater than 36".

Step 1

Select Upright Assembly

Choose All-Welded or K.D.

- Welded Upright has tubular bracing, mig-welded to post
- K.D. (knocked down) Upright includes two posts and two or more bolt on ladder braces
 - Upright: 1³/₄" x 1¹³/₁₆"
 - 14-gauge
 - Adjustment on 1¹/₂" centers
- 10,000 lb. capacity per section (All-Welded or K.D.)



K.D. Ladder Braces Only

Use as replacement, or as a component

K.D. Upright Posts Only

Height	Cat. No.
60"	63602
72"	63603
84"	63604
96"	63605
120"	63607
144"	63609

Depth	Cat. No.
15"	635152
18"	635182
24"	635242
30"	635302
36"	635362
42"	635422
48"	635482

Depth	60" High		72" High		84" High		96" High		120" High		144" High	
	Set-Up Cat. No.	K.D. Cat. No.	Set-Up Cat. No.	K.D. Cat. No.	Set-Up Cat. No.	K.D. Cat. No.	Set-Up Cat. No.	K.D. Cat. No.	Set-Up Cat. No.	K.D. Cat. No.	Set-Up Cat. No.	K.D. Cat. No.
15"	N/A	63152	N/A	63153	N/A	63154	N/A	63155	N/A	63157	N/A	63159
18"	N/A	63182	N/A	63183	N/A	63184	N/A	63185	N/A	63187	N/A	63189
24"	64242	63242	64243	63243	64244	63244	64245	63245	64247	63247	64249	63249
30"	64302	63302	64303	63303	64304	63304	64305	63305	64307	63307	64309	63309
36"	64362	63362	64363	63363	64364	63364	64365	63365	64367	63367	64369	63369
42"	64422	63422	64423	63423	64424	63424	64425	63425	64427	63427	64429	63429
48"	64482	63482	64483	63483	64484	63484	64485	63485	64487	63487	64489	63489

Step 2

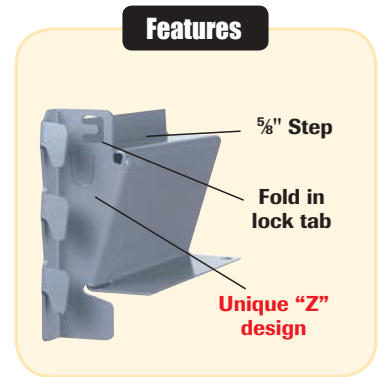
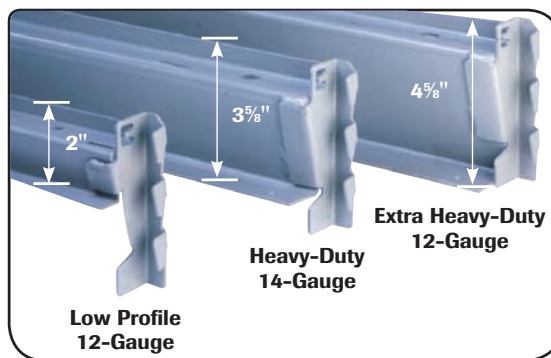
Select Beams

• Heavy and Extra Heavy-Duty "Z" Beams

Unique "Z" beam design increases strength and load capacity, resists tipping and eliminates wasted space, front-to-back. Beam clips are mig-welded for added strength. Fold in lock tab easily engages for security against displacement.

• Low-Profile Beams

Offer light weight, high-density alternative for commercial applications. Narrow height design increases vertical storage capacity.



Note: The catalog numbers in the chart below are sold as 2 packs

Nominal Width	Actual Width	"D"	"E"	Heavy-Duty 14-Gauge		Extra-Heavy Duty 12-Gauge		Low Profile 12-Gauge	
				Cat. No.	Capacity	Cat. No.	Capacity	Cat. No.	Capacity
48"	48 ¹ / ₂ "	50 ¹⁵ / ₃₂ "	48 ²³ / ₃₂ "	62148	3,300 lbs.	*	*	62048	665 lbs.
60"	60 ¹ / ₂ "	62 ¹⁵ / ₃₂ "	60 ²³ / ₃₂ "	62160	2,600 lbs.	*	*	62060	530 lbs.
72"	72 ¹ / ₂ "	74 ¹⁵ / ₃₂ "	72 ²³ / ₃₂ "	62172	1,900 lbs.	62272	3,300 lbs.	62072	440 lbs.
84"	84 ¹ / ₂ "	86 ¹⁵ / ₃₂ "	84 ²³ / ₃₂ "	62184	1,775 lbs.	*	*	62084	380 lbs.
96"	96 ¹ / ₂ "	98 ¹⁵ / ₃₂ "	96 ²³ / ₃₂ "	62196	1,650 lbs.	62296	3,300 lbs.	62096	330 lbs.

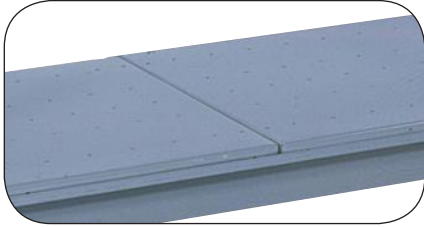
Capacities shown are maximum safe evenly distributed static loads per pair of beams with front-to-back support. Upright capacities are based on beam centers no greater than 36".
*Items available through manufactured schedule.



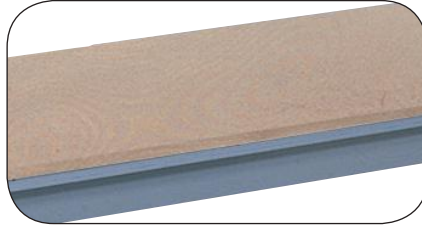
Step 3

Select Decking

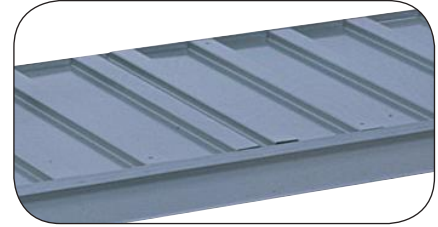
Two to three panels per level are required based on beam width (see chart below).



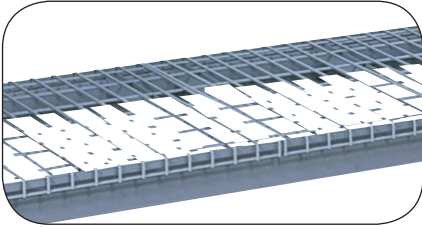
Solid Decking - Features Lyon heavy-duty industrial shelves for a smooth uninterrupted decking surface.



Particle Board Decking* - Durable, 5/8" thick particle board decking.



Ribbed Decking - Versatile 20-gauge ribbed decking. Ribs allow for space to grab packages easily and prevent pinched fingers. 1 3/4" w x 5/8" d rib.



Wire Decking - This deck is the best choice when air circulation and light penetration are required. Also allows water to flow in the event a sprinkler system is activated. Available in Frost Gray (add prefix FF to the Cat. No.) Choose heavy-duty waterfall or light-duty flat wire decking:

Heavy-Duty Waterfall Decking - Featuring 4" x 2" wire mesh with heavy gauge welded channels for added strength and a 1 1/4" waterfall along both front and rear edge.

Light-Duty Flat Wire Decking - Featuring 4" x 2" wire mesh with 5-gauge welded reinforcement wires.

Beam Width	Quantity of Decking Panels Required
48"	2 - 24" wide
60"	1 - 24" wide + 1 - 36" wide
72"	2 - 36" wide
84"	2 - 24" wide + 1 - 36" wide
96"	1 - 24" wide + 2 - 36" wide

Parts listed in single pack quantities, for multi-pack quantities, contact Customer Service at 1-800-323-0082

Width	Depth	Ribbed Decking		H. D. Wire Decking		Wire Decking		Solid Decking		Particle Board Decking	
		Cat. No.	Capacity	Cat. No.	Capacity	Cat. No.	Capacity	Cat. No.	Capacity	Cat. No.	Capacity
24"	24"	652241	1,400 lbs.	65454	1,200 lbs.	65454FW	550 lbs.	*	*	*	*
24"	30"	652301	1,200 lbs.	65456	1,200 lbs.	*	*	*	*	*	*
24"	36"	652361	1,000 lbs.	65458	1,700 lbs.	65458FW	550 lbs.	8562H	800 lbs.	72508	750 lbs.
24"	42"	652421	800 lbs.	65460	1,600 lbs.	*	*	8567X	880 lbs.	-	
24"	48"	652481	600 lbs.	65462	1,500 lbs.	65462FW	500 lbs.	8302X	750 lbs.	72528	750 lbs.
36"	24"	653241	1,800 lbs.	65472	1,700 lbs.	65472FW	550 lbs.	8562H	800 lbs.	72508	750 lbs.
36"	30"	653301	1,600 lbs.	65474	1,700 lbs.	*	*	8558H	740 lbs.	*	*
36"	36"	653361	1,400 lbs.	65476	1,700 lbs.	65476FW	550 lbs.	8586X	850 lbs.	*	*
36"	42"	653421	1,100 lbs.	65478	2,500 lbs.	*	*	8589X	820 lbs.	*	*
36"	48"	653481	900 lbs.	65480	1,500 lbs.	65480FW	500 lbs.	8592X	640 lbs.	72532	750 lbs.

Capacities are based on evenly distributed static load, with beams joined by correct number of front-to-back supports and no allowance for shock or uneven loading. Load is limited to support capacity of beams and upright assemblies.

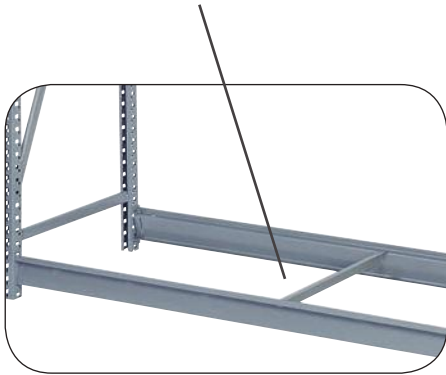
*Items available through manufactured schedule.



Step 4

Select Front-to-Back Supports

One to four supports per level are required based on beam width and type of decking (see chart below).



Used to minimize beam rotation under heavy loads. Also serves as a plywood support. No hardware or tools needed.

Rack Depth	Front-to-Back Supports Cat. No.
15"	65815
18"	65818
24"	65824
30"	65830
36"	65836
42"	65842
48"	65848

Minimum required when used with:

Beam Width	Plywood/ Particle Board	Solid/Ribbed/ Flat Wire/ No Deck
48"	2	1
60"	2	1
72"	3	2
84"	3	2
96"	4	2

Step 5

Select Accessories



Back-To-Back Support

Ties bulk storage rack back to back, maintains stability and spacing without interfering with storage space. Overall Extension: 12" - 17½"

No. 65140



Back-To-Wall Support

Bolts to upright member and wall to maintain shelving stability. Overall Extension: 12" - 17¼"

No. 65145



Anchoring Foot

To anchor upright assembly to floor. Dove Gray only.

No. 65130

Wedge Anchor

¾" dia x 3", 1 per post

No. 8861



End-Tie Plate

Ties Bulk Storage Rack back to back to maintain uniform spacing and stability. 3½" x 2½"

No. 65142



For Mezzanine Applications

Mezzanine Splice Channels

For two-level Bulk Storage Rack applications, simply insert reinforcing splice channels into bottom upright assembly posts and fit second-level upright assembly posts over channel extensions. The galvanized splice channels provide rigidity at the splice.

No. 65120



EASILY INTEGRATE BULK STORAGE RACKS

Bulk Storage Racks integrates seamlessly with 8000 Series shelving for a complete storage system.

8000 Series/BSR Integration Clip **No. 65160**



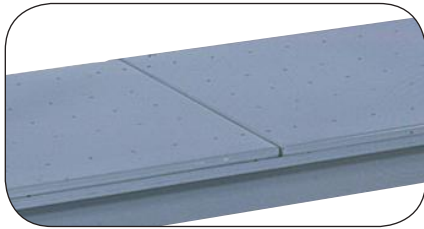
Additional Levels with Decking

Quickly add more levels to your Bulk Storage Rack shelving units with the decking options below. Unique “Z” Beam design increases strength and load capacity, resists tipping and eliminates wasted space. Beam clips are mig-welded for added strength. Fold in lock tab easily engages for security against displacement.

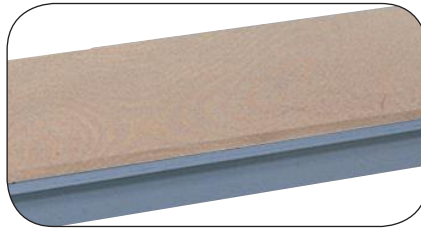
Available in Dove Gray.

Additional Levels Includes

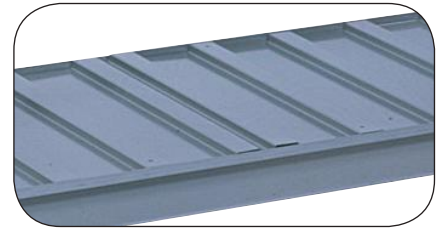
Two (2) Heavy-duty, 14-gauge beams.
Front-to-back supports and/or decking panels to fit length of beam



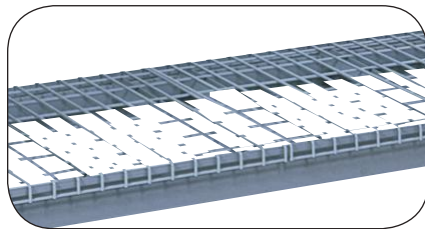
Solid Decking



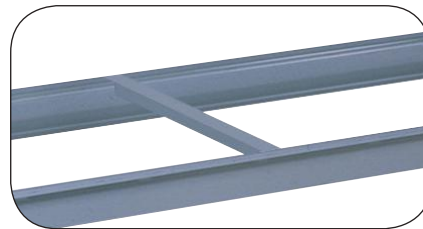
Particle Board Decking



Ribbed Decking



H.D. Decking



No Decking

Width	Depth	Height	No Decking		Particle Board Decking		Ribbed Decking		H.D. Decking		Solid Decking	
			Cat. No.	Capacity per Level	Cat. No.	Capacity per Level	Cat. No.	Capacity per Level	Cat. No.	Capacity per Level	Cat. No.	Capacity per Level
60"	24"	12"	DD66010	2,600 lbs	DD66010P	2,600 lbs	DD66010R	2,600 lbs	DD66030	2,600 lbs	-	-
	36"	12"	DD66011	2,600 lbs	DD66011P	2,600 lbs	DD66011R	2,600 lbs	DD66031	2,600 lbs	-	-
	48"	12"	DD66012	2,600 lbs	DD66012P	2,600 lbs	DD66012R	2,600 lbs	DD66032	2,600 lbs	-	-
72"	24"	12"	DD66013	1,900 lbs	DD66013P	1,900 lbs	DD66013R	1,900 lbs	DD66033	1,900 lbs	DD66023	1,900 lbs
	36"	12"	DD66014	1,900 lbs	DD66014P	1,900 lbs	DD66014R	1,900 lbs	DD66034	1,900 lbs	DD66024	1,900 lbs
	48"	12"	DD66015	1,900 lbs	DD66015P	1,900 lbs	DD66015R	1,900 lbs	DD66035	1,900 lbs	DD66025	1,900 lbs
96"	24"	12"	DD66016	1,650 lbs	DD66016P	1,650 lbs	DD66016R	1,650 lbs	DD66036	1,650 lbs	DD66026	1,650 lbs
	36"	12"	DD66017	1,650 lbs	DD66017P	1,650 lbs	DD66017R	1,650 lbs	DD66037	1,650 lbs	DD66027	1,650 lbs
	48"	12"	DD66018	1,650 lbs	DD66018P	1,650 lbs	DD66018R	1,650 lbs	DD66038	1,650 lbs	DD66028	1,650 lbs

NOTE: In the interest of safety, Lyon strongly recommends that racks that are 72" or higher be floor and/or wall anchored. See page 72 for important anchoring information.