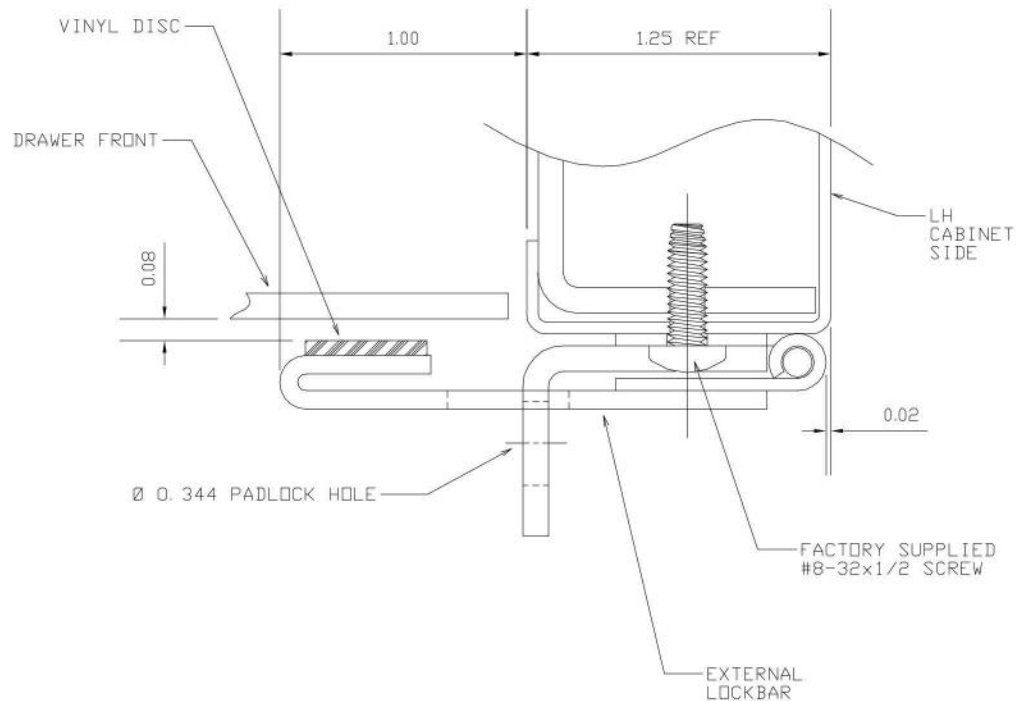


RIGHT HAND FRONT VIEW of CABINET



- 1) DRILL TOP AND BOTTOM HOLES INTO THE RIGHT FRONT SIDE OF HOUSING AS SHOWN USING A #27 DRILL (\emptyset 0.144).
- 2) FASTEN EXTERNAL LOCKBAR TO CABINET USING #8-32x1/2 PHILLIPS PAN HEAD TAPTITE THREAD FORMING SCREWS.
- 3) ADJUST EXTERNAL LOCKBAR FOR FIT, TIGHTEN SCREWS.
- 4) USING THE HINGE LEAF AS A GUIDE, DRILL REMAINING HOLES AND FASTEN SCREWS.

LYON		P.O. Box 671 AURORA, IL 60507-0671 PHONE: 630-892-8941 FAX: 800-367-6681	
		NOTICE: THIS IS A CONFIDENTIAL DISCLOSURE LOANED BY LYON WORKSPACE FOR REFERENCE PURPOSES ONLY	
DATE 01-28-12	DRAWN BY JR	CHECKED BY DWV	
DESCRIPTION			
INSTALLATION EXTERNAL LOCKBAR MDC			
SHEET -	DRAWING NUMBER SS0865		REV 1