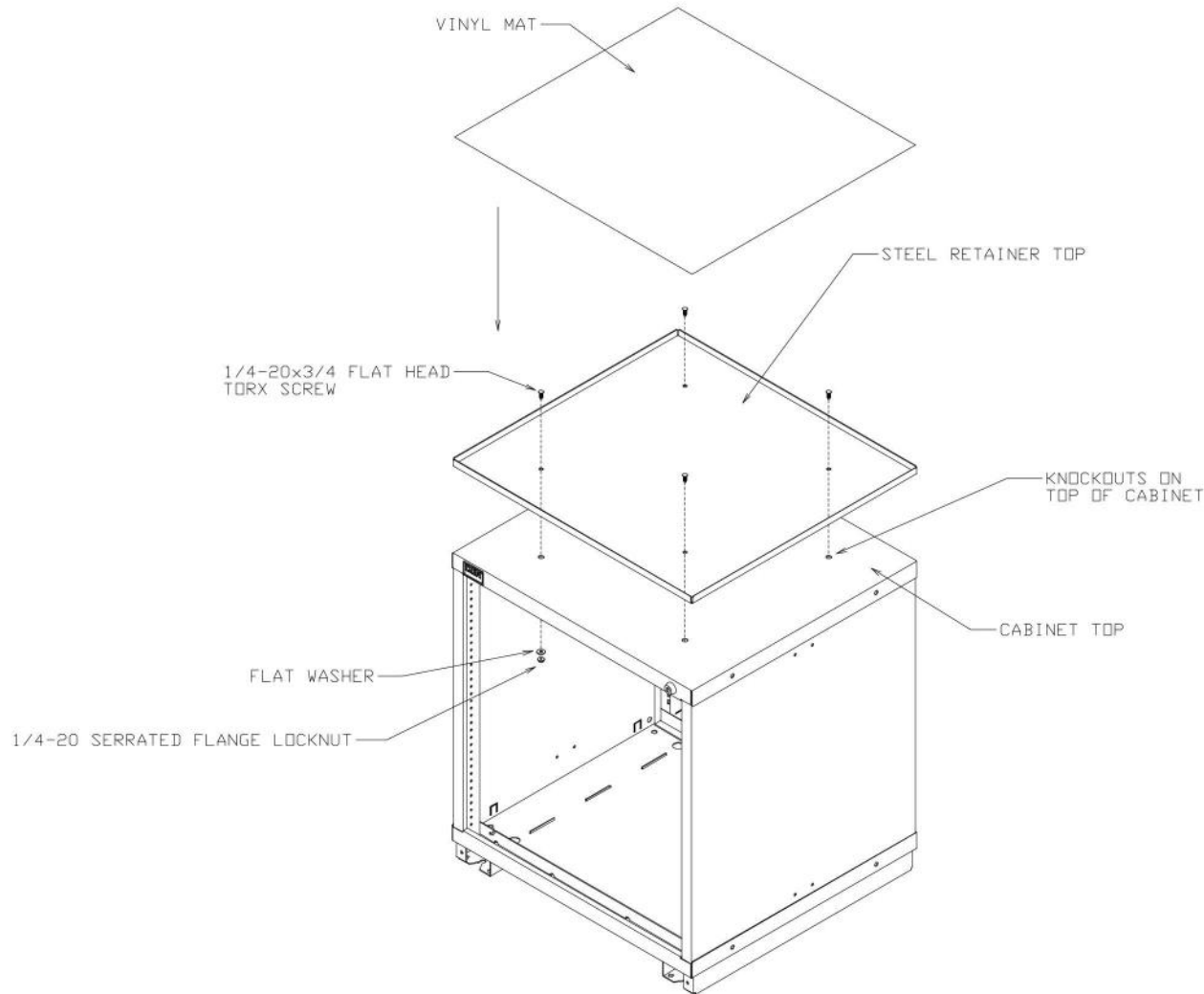


INSTALLATION OPERATIONS

1. REFER TO OWNERS MANUAL FOR CABINET INSTALLATION AND ANCHORING.
2. KNOCKOUT HOLES ARE PROVIDED ON THE TOP OF THE CABINET. PUNCH THESE OUT WITH A SCREWDRIVER OR OTHER TOOL.
3. BEFORE SECURING THE STEEL RETAINER TOP TO THE CABINET TOP, REMOVE SUFFICIENT DRAWERS AND CARRIER ASSEMBLIES. MARK SPECIFIC LOCATIONS OF THE DRAWERS AND CARRIERS FOR REINSTALLATION.
4. ATTACH THE STEEL RETAINER TOP TO THE CABINET TOP WITH THE SUPPLIED FOUR (4) 1/4-20x3/4 SCREWS, FLAT WASHERS AND 1/4-20 FLANGE LOCKNUTS. REPLACE DRAWERS AND CARRIERS INTO SPECIFIC LOCATIONS AND CHECK FOR PROPER DRAWER OPERATION.
5. FINISH INSTALLATION BY PLACING THE VINYL MAT INTO THE STEEL RETAINER TOP.



(4) 1/4" FLAT WASHER



1/4-20 x 3/4" T20 TORX FLAT HEAD THREAD CUTTING SCREW



1/4-20 HEX HEAD SERRATED FLANGE LOCKNUT

SUPPLIED FASTENERS

LYON P.O. Box 671
AURORA, IL 60507-0671
PHONE: 630-892-8941
FAX: 800-367-6681

NOTICE: THIS IS A CONFIDENTIAL DISCLOSURE LOANED BY LYON WORKSPACE FOR REFERENCE PURPOSES ONLY

DATE 01-28-12	DRAWN BY JR	CHECKED BY DWV
------------------	----------------	-------------------

DESCRIPTION

INSTALLATION
STEEL RETAINER TOP
MDC

SHEET -	DRAWING NUMBER SS1428	REV 1
------------	---------------------------------	----------