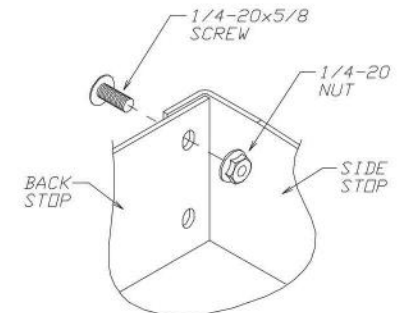
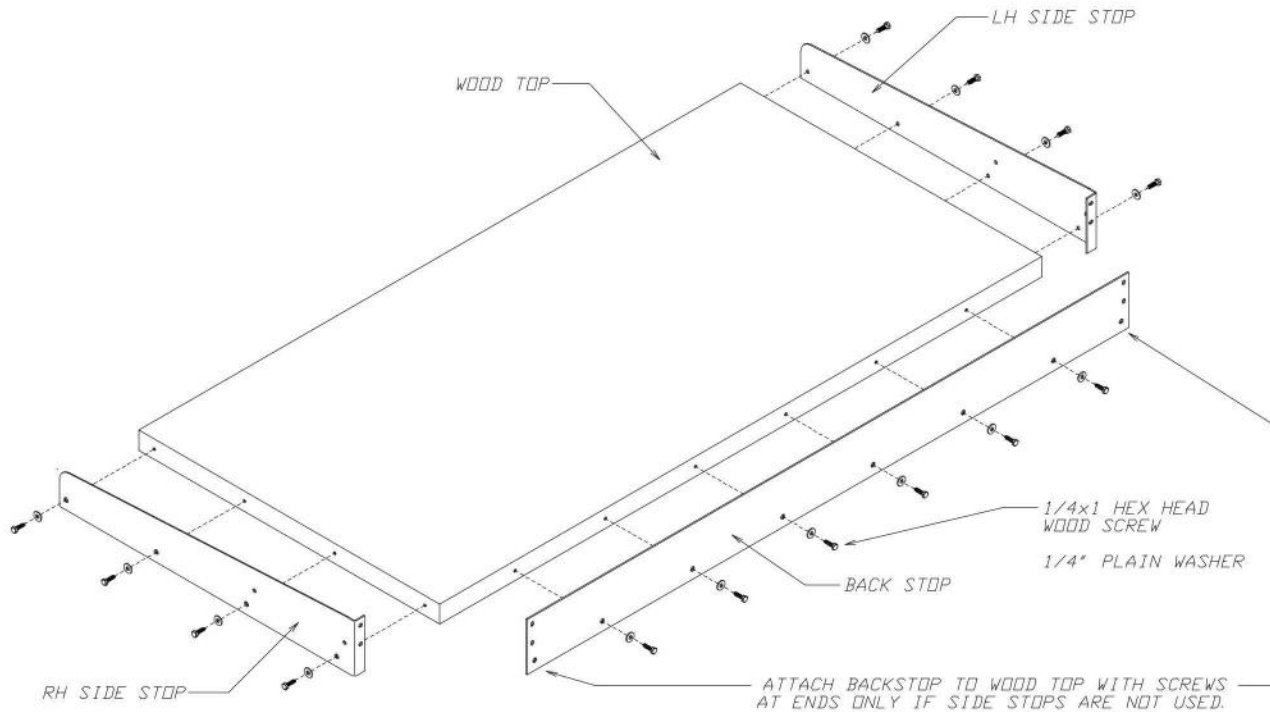


STEEL TOP INSTALL

- 1) ATTACH BACKSTOP TO TOP PAN WITH SUPPLIED THREAD CUTTING SCREWS AS SHOWN. BE SURE THAT THE COUNTERSINK ON THE BACKSTOP IS FACING OUTWARDS.
- 2) ATTACH SIDE STOPS AS SHOWN IN THE SAME MANNER. BE SURE THE FORM IS BEHIND THE BACKSTOP.
- 3) CONNECT THE BACKSTOP TO THE SIDE STOPS AS SHOWN WITH #1/4-20 SCREWS AND NUTS.

WOOD TOP INSTALL

- 1) LINE UP BOTTOM OF BACK STOP AND SIDE STOPS WITH THE BOTTOM EDGE OF THE TOP. USING THE HOLES IN THE BACKSTOP AND SIDE STOPS AS A GUIDE, DRILL 13/64" DIAMETER x 1" DEEP HOLES INTO THE TOP.
- 2) ATTACH THE BACKSTOP AND SIDE STOPS USING 1/4" LAG SCREWS AND WASHERS.
- 3) CONNECT THE BACKSTOP TO THE SIDE STOPS AS SHOWN WITH #1/4-20 SCREWS AND NUTS.



ATTACHMENT OF BACK TO SIDE STOP

LYON

P.O. Box 671
AURORA, IL 60507-0671
PHONE: 630-892-8941
FAX: 800-367-6681

NOTICE: THIS IS A CONFIDENTIAL DISCLOSURE LOANED BY LYON WORKSPACE FOR REFERENCE PURPOSES ONLY

DATE 01-28-12	DRAWN BY JR	CHECKED BY DWV
------------------	----------------	-------------------

DESCRIPTION

INSTALLATION
60/72W 30D SIDE/BACK STOP
MDC

SHEET -	DRAWING NUMBER SS1439	REV 1
------------	--------------------------	----------