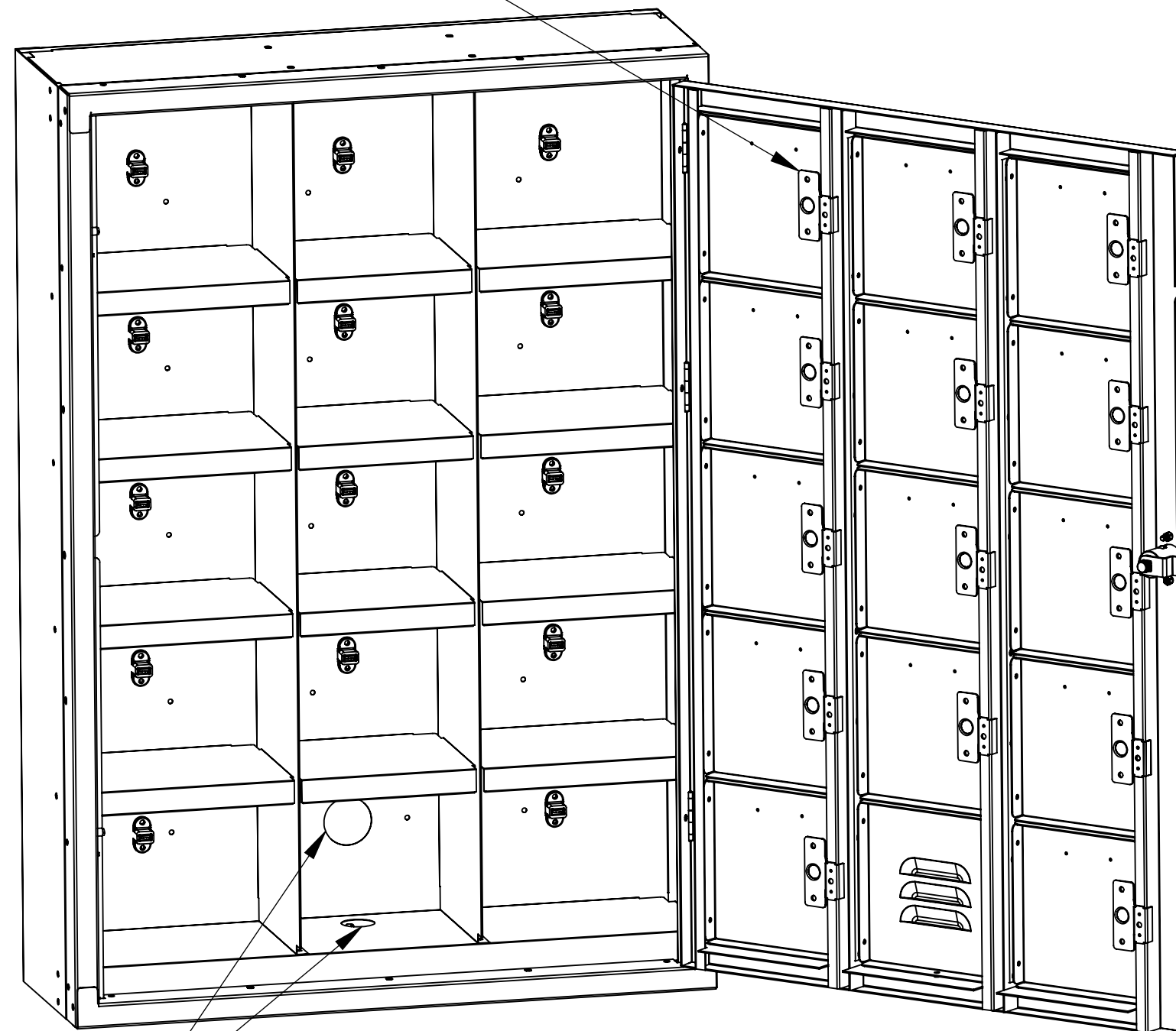
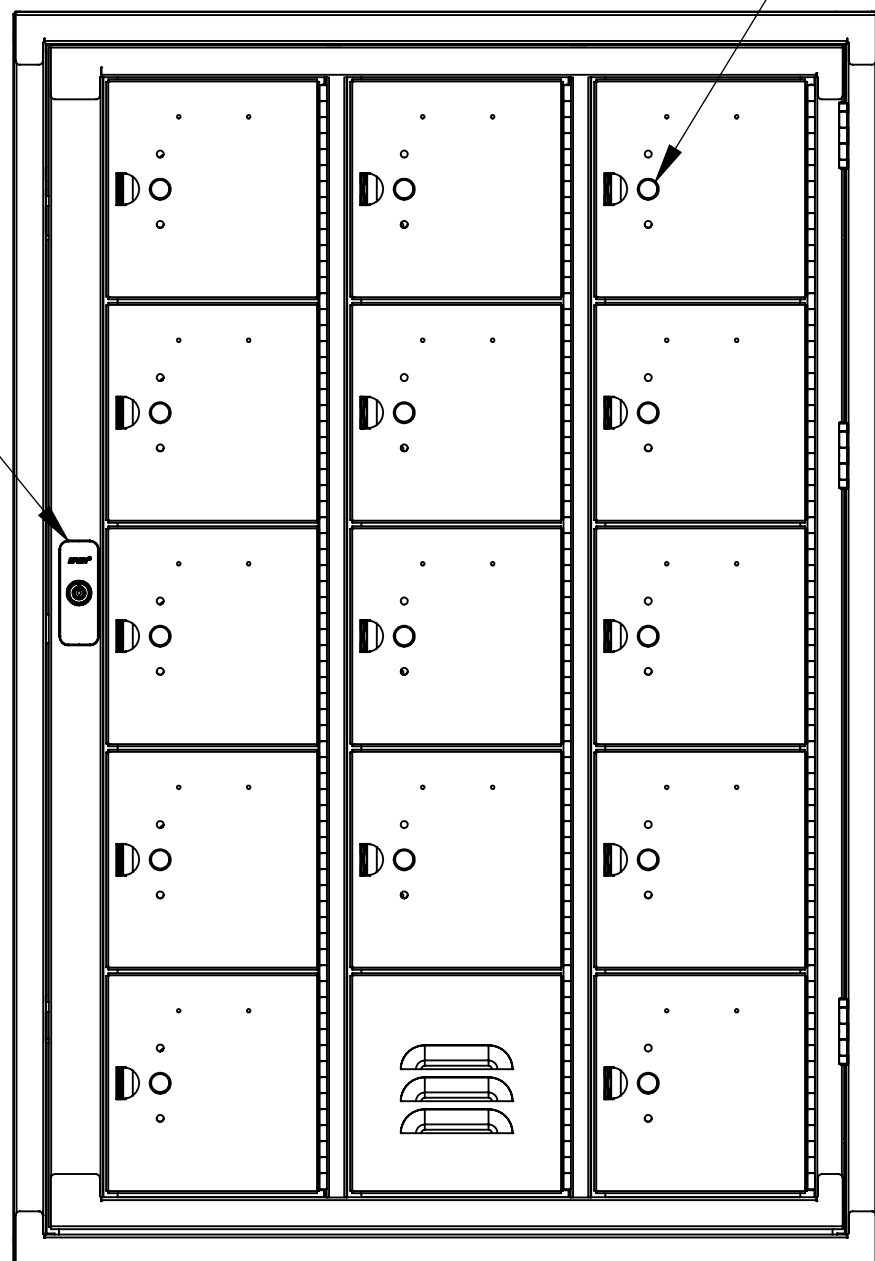


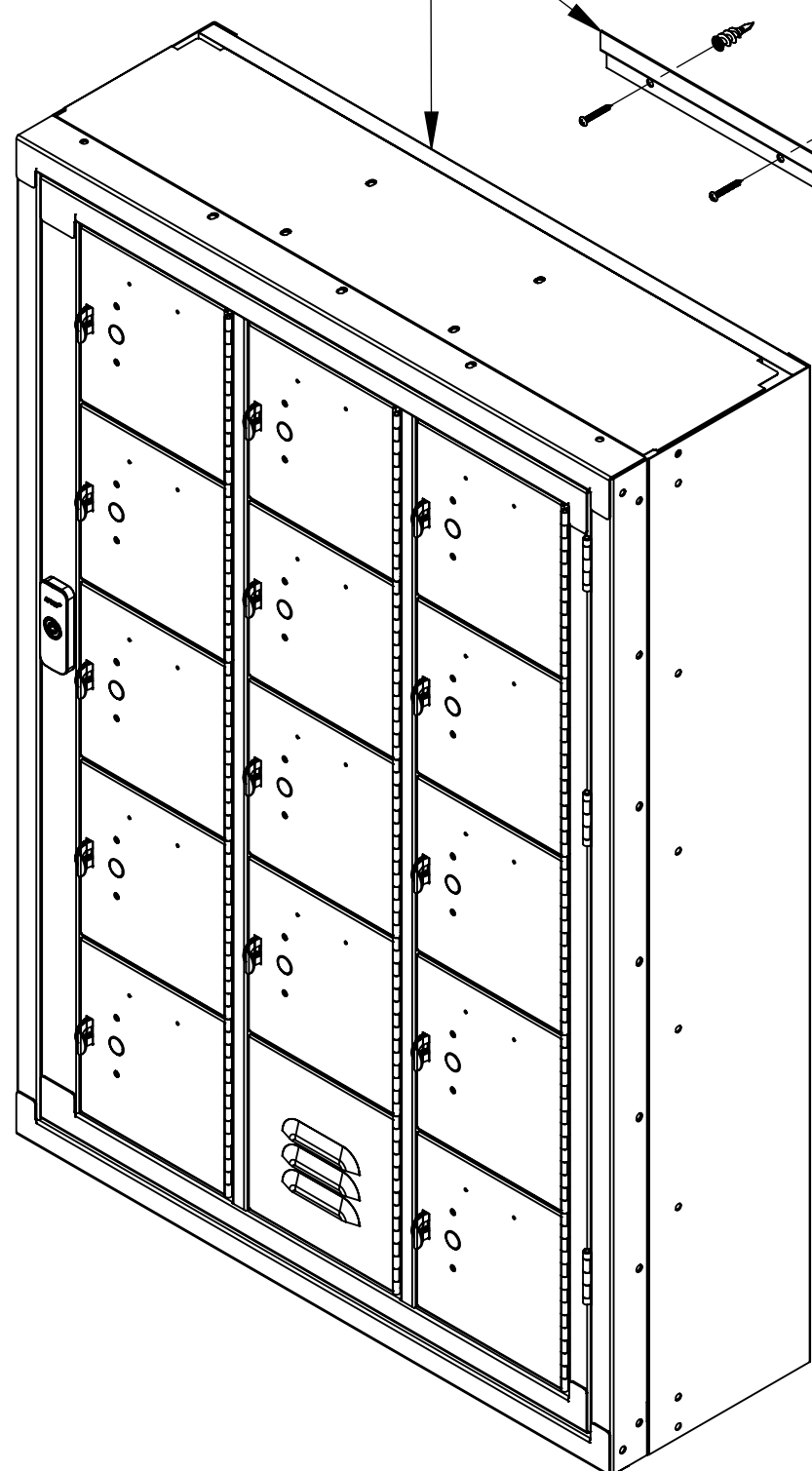
NOTE: PULL LATCH CAN BE REPLACED WITH COMBO/KEY LOCK

USE MASTER LOCK TO ACCESS ALL LOCKER COMPARTMENTS. UNLOCK WITH KEY AND TURN HANDLE COUNTER CLOCKWISE



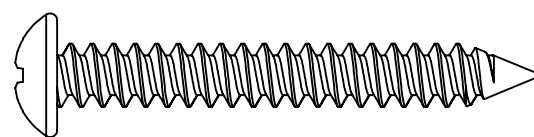
CORD ROUTING LOCATIONS ON BACK AND BOTTOM OF LOCKER

SLIDE UPPER FLANGE ONTO MOUNTING BRACKET

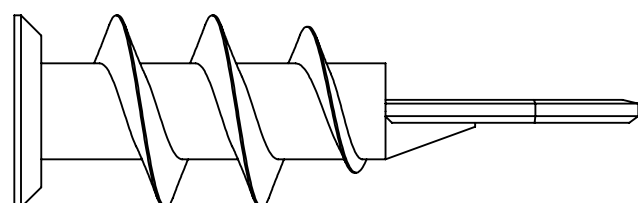


USE NYLON ANCHOR FOR DRYWALL INSTALLATION. USE SCREW ONLY FOR INSTALLATION INTO WOOD. 3/16" TAPCONS CAN BE USED TO ANCHOR INTO MASONRY (NOT FURNISHED)

MOUNTING HARDWARE SHOWN IN ACTUAL SIZE

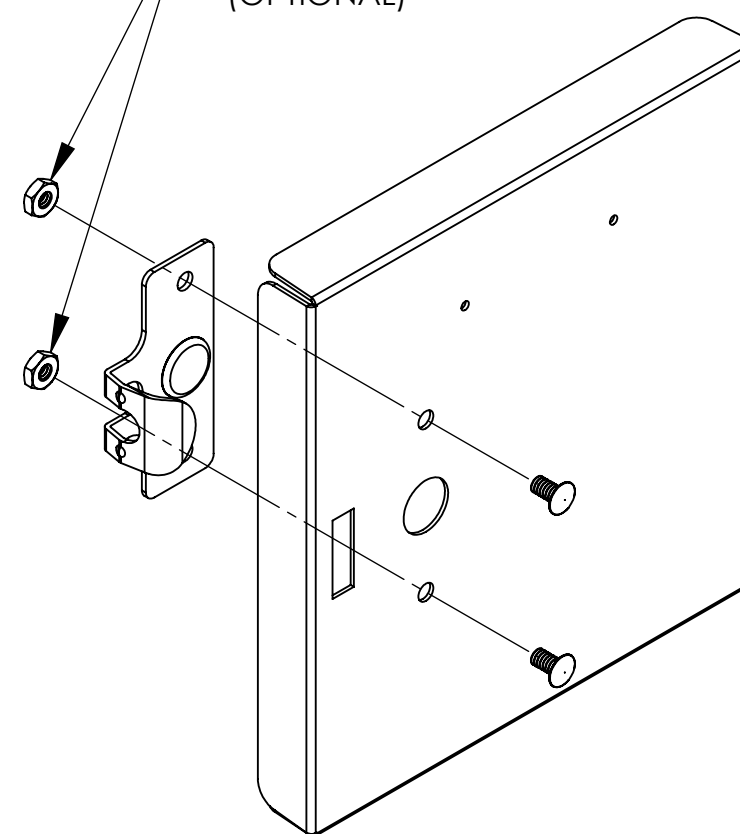


#8 X 1 1/4 SCREW



NYLON ANCHOR

REMOVE NUTS FROM PULL LATCH IN ORDER TO REPLACE WITH COMBO OR KEY LOCK (OPTIONAL)



CELL PHONE LOCKER
GENERAL INSTRUCTIONS



REVISIONS

10216-AA