



OWNER'S MANUAL



Save This Manual For
Future Reference

TOOL TROLLEY WITH TRAY MODEL NO. 2087LT/2087HT

DESCRIPTION

The Lyon Tool Trolley with Tray is ergonomically engineered. Its easily accessible control ring enables you to custom fit the stool height to your body and work surface. Designed for exceptional wear and durability, the Lyon Tool Trolley is practical for many applications. The cylinder allows for smooth automatic adjustment of seat height and cushions the impact when initially sitting down.

The 17" diameter tool tray base is made of steel and is epoxy powder coated black. The 3" diameter soft tread casters provide ease of movement on hard surfaces and two casters are equipped with a manual side brake to lock the trolley in place. The seat is microcellular polyurethane, molded around a steel inner plate. Two removable trays have seven compartments each for tools and parts.

SPECIFICATIONS

Seat height range of 2087LT 16½-21"
Seat height range of 2087HT 18½-26"
Base Diameter 17"

GENERAL SAFETY INSTRUCTIONS

- Do not stand on seat.
- Stool must be on level surface to ensure proper stability.
- Only use stool when fully assembled.
- Periodically check fasteners and tighten securely if needed.
- Never use stool if it does not perform according to this manual. The warranty may be void if used while in disrepair. Immediately call and report any problems (see How to Order Repair Parts) and always give manufacturer's serial number information from the label under the base.

ASSEMBLY

1. Unpack your stool and account for all parts.
2. Insert lift with dust cover in center of base and allow it to wedge firmly into place. Remove yellow plastic cap from top of lift assembly. Do not push on button at the top!
3. Place both removable trays into tool tray base.
4. Install seat on top of lift. The seat control ring regulates the height of the seat via the lift. When sitting on the seat pull up or push down on the ring to lower seat. To raise seat, remove weight from seat and pull up on the control ring.

MAINTENANCE

The cylinder is permanently lubricated at the factory and needs no further lubrication. **NEVER LUBRICATE THE CYLINDER.** Do not remove clip from bottom of lift. Call for immediate assistance if clip is missing or damaged. Clean polyurethane with soap and water. To repair cuts in polyurethane apply a few drops of quick drying glue in the cut and press the sides together until glue sets.

HOW TO ORDER REPAIR PARTS

When ordering repair parts or reporting problems, always give the following information:

NAME OF ITEM	MODEL NUMBER
Tool Trolley with Tray	2087LT/2087HT
PART DESCRIPTION	PART NUMBER

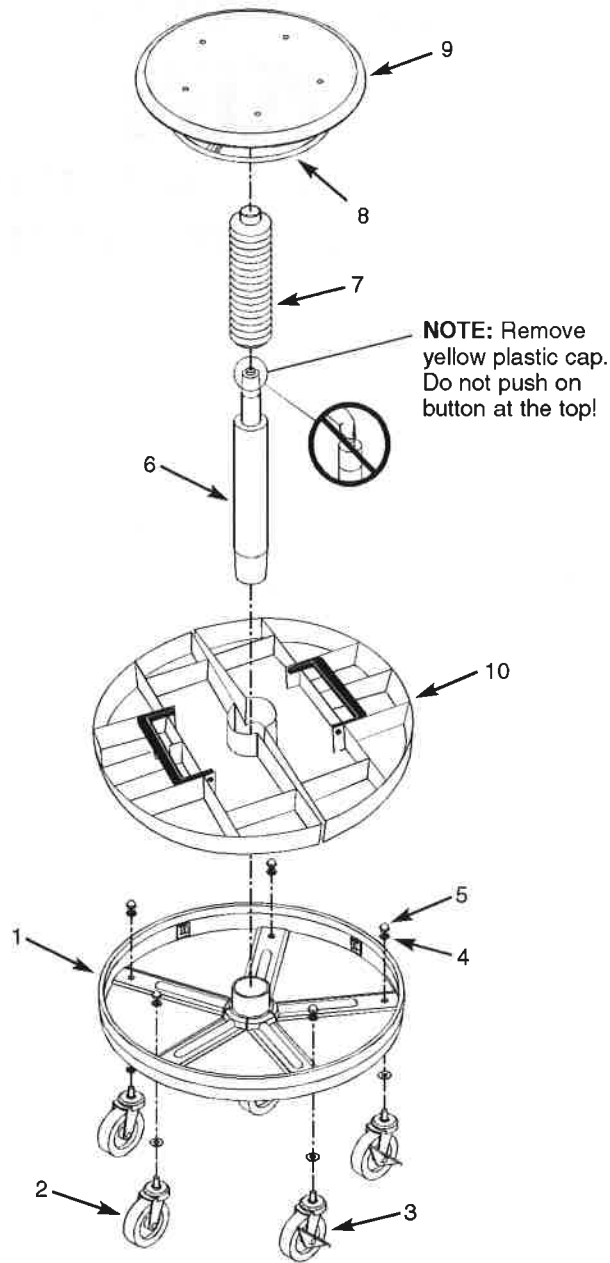
All parts listed may be ordered from your local Lyon Dealer or Lyon Workspace Products, P. O. Box 671, Aurora, IL 60507 800/323-0082 or 630/892-8941

WARRANTY

Lyon Workspace Products warrants all of its products to be free from manufacturing defects for the life of the product when it is used in accordance with manufacturer's specifications and/or operating instructions. The life of the product is ten years of single shift users, five years for two shift users, and two-and-a-half years for three shift users, for users not weighing more than 250 pounds. During this period Lyon Workspace Products will repair or replace, at its option, any part found upon examination to be defective. Freight, labor or service charges for removal of defective parts and installation of replacement parts are not included. **All parts that are replaced due to wear, misuse or abuse are not covered by the warranty but replacement parts can be purchased from Lyon Workspace Products.**

This warranty applies to the original purchaser, and the purchaser's sole remedy under this warranty is limited to replacement or repair of the product and specifically excludes consequential, incidental or any other damages directly or indirectly resulting from a failure or loss of use of or by Lyon Workspace Products.

To obtain warranty service, a return authorization by Lyon Workspace Products must accompany all returned merchandise. **Contact your Lyon Dealer or Lyon Workspace Products, P.O. Box 671, Aurora, IL 60507, 800/323-0082 or 630/892-8941.**



PARTS LIST

KEY NO.	DESCRIPTION	QTY.	PART NO.
1	Tool Tray Base	1	10522.00
2	Caster	3	07833.01
3	Caster with Brake	2	07832.01
4	5/16" Flat Washer	10	06621.00
5	5/16" -18 Lock Nut	5	09043.01
6	Cylinder (2087LT)	1	01548.00
6	Cylinder (2087HT)	1	01549.00
7	Dust Cover (2087LT)	1	01550.00
7	Dust Cover (2087HT)	1	03268.02
8	Round Ring Control Assembly	1	10158.00
9	Seat	1	01553.05
10	Removable Tray (set of 2)	1	10523.00