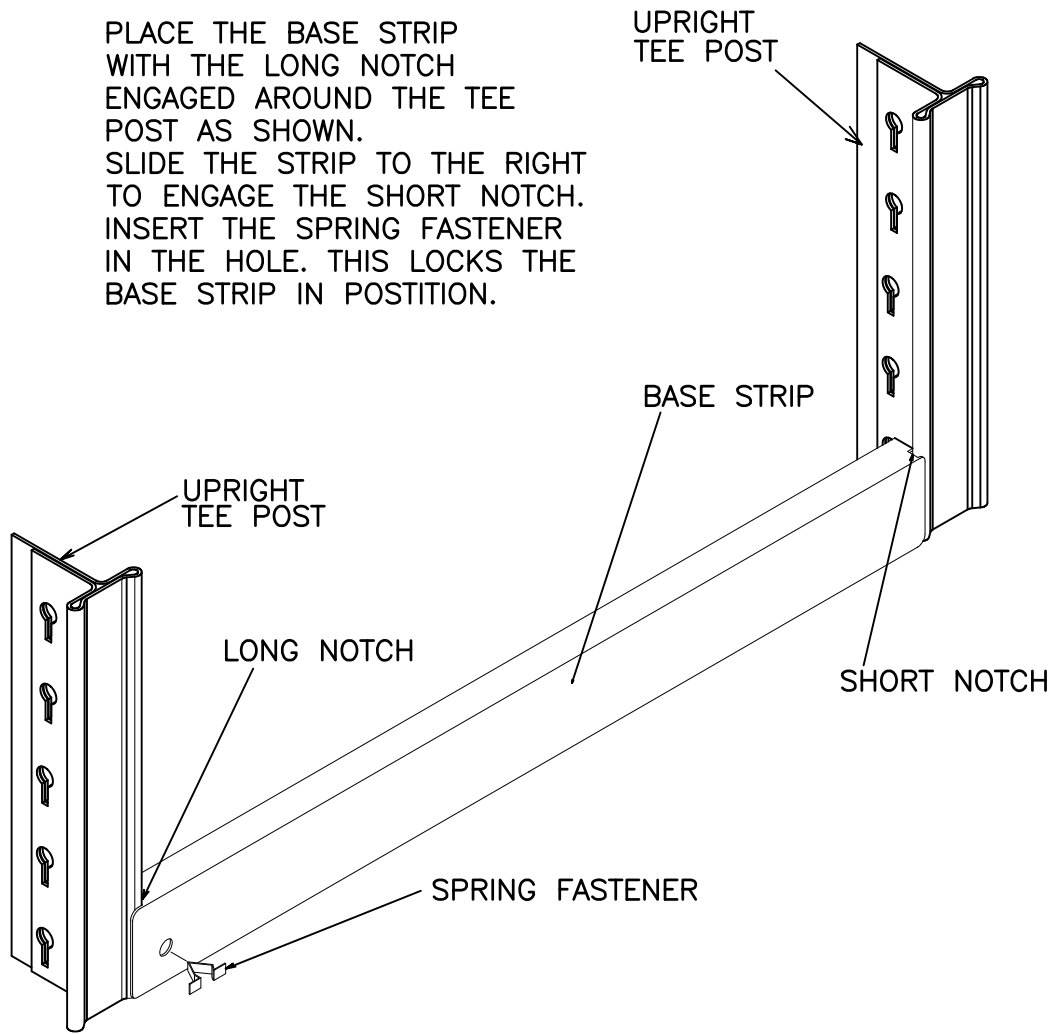


BASE STRIPS ASSEMBLY

PLACE THE BASE STRIP WITH THE LONG NOTCH ENGAGED AROUND THE TEE POST AS SHOWN. SLIDE THE STRIP TO THE RIGHT TO ENGAGE THE SHORT NOTCH. INSERT THE SPRING FASTENER IN THE HOLE. THIS LOCKS THE BASE STRIP IN POSITION.



**MISSING PARTS OR IN NEED
OF
ASSEMBLY ASSISTANCE?**

Contact us direct for fast friendly service (800) 433-8488

Int'l calls (630) 892-8941 | WEB: WWW.LYONWORKSPACE.COM | Fax (800) 367-6681

ASSEMBLY INSTRUCTIONS
FOR LYON SINGLE LEVEL
8000 SERIES SHELVING

LYON LYON WORKSPACE PRODUCTS
P.O. BOX 671
50 5001 AURORA, IL 60507

9303

BASE STRIP