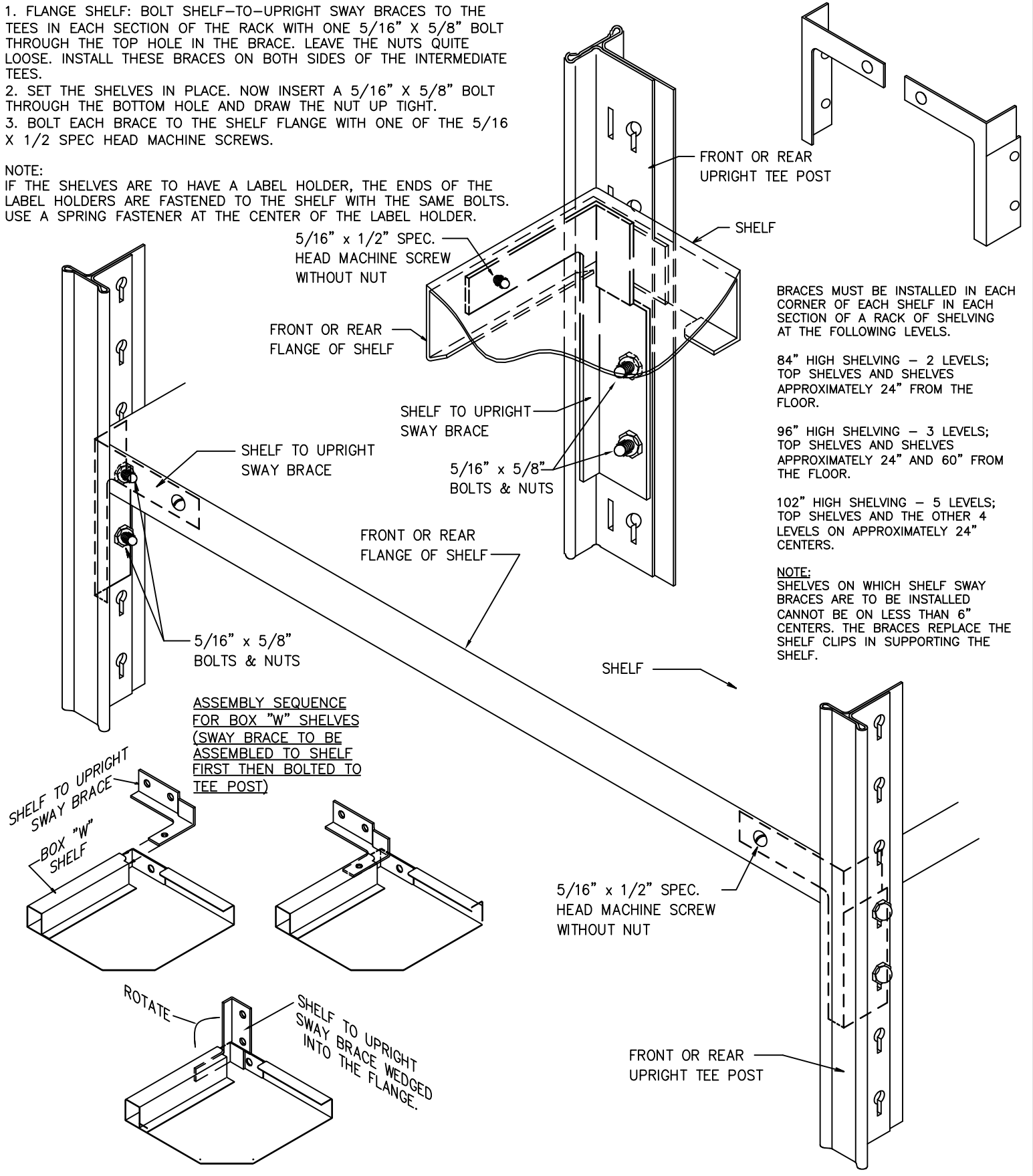


1. FLANGE SHELF: BOLT SHELF-TO-UPRIGHT SWAY BRACES TO THE TEES IN EACH SECTION OF THE RACK WITH ONE 5/16" X 5/8" BOLT THROUGH THE TOP HOLE IN THE BRACE. LEAVE THE NUTS QUITE LOOSE. INSTALL THESE BRACES ON BOTH SIDES OF THE INTERMEDIATE TEES.
2. SET THE SHELVES IN PLACE. NOW INSERT A 5/16" X 5/8" BOLT THROUGH THE BOTTOM HOLE AND DRAW THE NUT UP TIGHT.
3. BOLT EACH BRACE TO THE SHELF FLANGE WITH ONE OF THE 5/16 X 1/2 SPEC HEAD MACHINE SCREWS.

NOTE:
IF THE SHELVES ARE TO HAVE A LABEL HOLDER, THE ENDS OF THE LABEL HOLDERS ARE FASTENED TO THE SHELF WITH THE SAME BOLTS. USE A SPRING FASTENER AT THE CENTER OF THE LABEL HOLDER.



BRACES MUST BE INSTALLED IN EACH CORNER OF EACH SHELF IN EACH SECTION OF A RACK OF SHELVING AT THE FOLLOWING LEVELS.

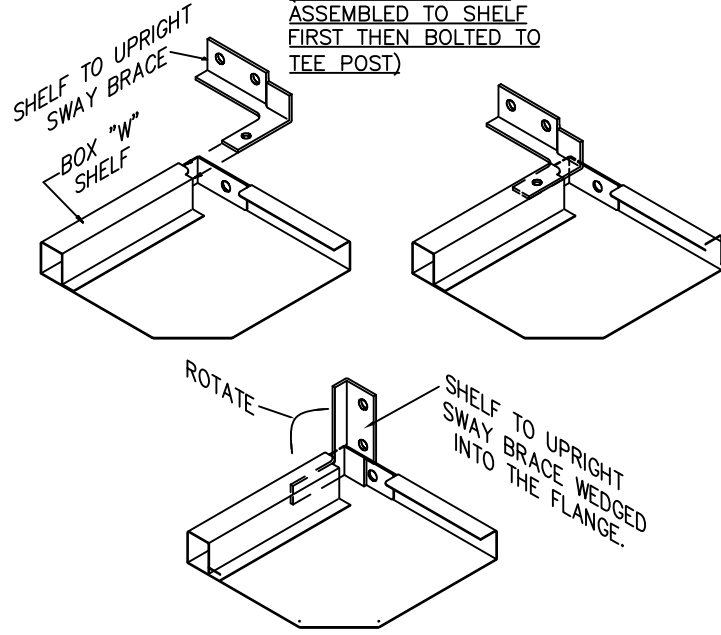
84" HIGH SHELVING - 2 LEVELS;
TOP SHELVES AND SHELVES
APPROXIMATELY 24" FROM THE
FLOOR.

96" HIGH SHELVING - 3 LEVELS;
TOP SHELVES AND SHELVES
APPROXIMATELY 24" AND 60" FROM
THE FLOOR.

102" HIGH SHELVING - 5 LEVELS;
TOP SHELVES AND THE OTHER 4
LEVELS ON APPROXIMATELY 24" CENTERS.

NOTE:
SHELVES ON WHICH SHELF SWAY BRACES ARE TO BE INSTALLED CANNOT BE ON LESS THAN 6" CENTERS. THE BRACES REPLACE THE SHELF CLIPS IN SUPPORTING THE SHELF.

ASSEMBLY SEQUENCE
FOR BOX "W" SHELVES
(SWAY BRACE TO BE
ASSEMBLED TO SHELF
FIRST THEN BOLTED TO
TEE POST)



**MISSING PARTS OR IN NEED
OF
ASSEMBLY ASSISTANCE?**

Contact us direct for fast friendly service (800) 323-0082

Int'l calls (630) 892-8941 | Web: www.lyonworkspace.com | Fax (800) 367-6681

ASSEMBLY INSTRUCTIONS
FOR 8000 SERIES
SHELVING

LYON LYON LLC
P.O. BOX 671
AURORA, IL 60507

9319-DA