

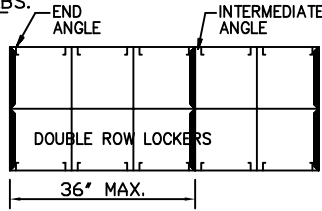
RECOMMENDED ANCHORING METHODS

(HARDWARE NOT FURNISHED BY LYON)

ANCHORS FOR MASONRY:

MIN. PULL OUT
VALUE IN LBS.

-3/16" SPRING WING TOGGLE BOLT	--200
-9/64" DIA. HAMMER-IN DRIVE PINS 3/4" PENETRATION	--400
-3/16" x 7/8" NAIL DRIVE ANCHORS	--500
-1/4" SPRING WING TOGGLE BOLT	--650
-RAWPLUGS & #8 SHT. METAL SCREWS 1" PENETRATION	1190
-EXPANSION SCREWS FOR #10-24 SCREWS -MIN. LENGTH 5/8"	---1340
-1/4" x 1 1/8" ONE PCE ANCHOR	---1650
-1/4" x 1 3/4" STUD ANCHORS	----1700

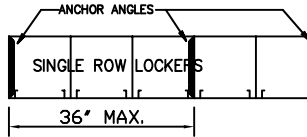


NOTE:
EACH END LOCKER TO BE ANCHORED PLUS
INTERMEDIATE LOCKERS ON 36" CENTERS MAX.

ANCHORS FOR WOOD:

MIN. PULL OUT
VALUE IN LBS.

-216" (#12) WOOD SCREWS 1" PENETRATION	-----120
1 1/2" PENETRATION	-----180
-242" (#14) WOOD SCREWS 1" PENETRATION	-----135
1 1/2" PENETRATION	-----202
-1/4" DIA. LAG BOLT 1" PENETRATION	-----185
1 1/2" PENETRATION	-----277
-5/16" DIA. LAG BOLT 1" PENETRATION	-----220
1 1/2" PENETRATION	-----330

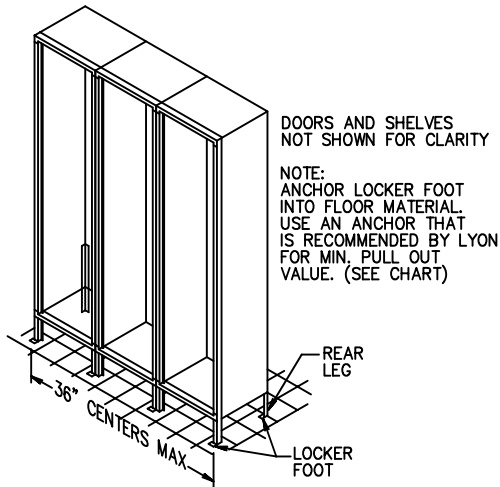


ERECTION NOTE:
1. CONNECT ANCHOR ANGLE TO LOCKERS
WITH CONSTRUCTION BOLTS AND NUTS.
2. DRILL ANGLE AND ANCHOR THRU LOCKER
USING RECOMMENDED ANCHOR.

POWER ACTUATED ANCHORS:

-9/64" DRIVE PIN 3/4" PENETRATION	-----315
-5/32" DRIVE PIN 1" PENETRATION	-----415

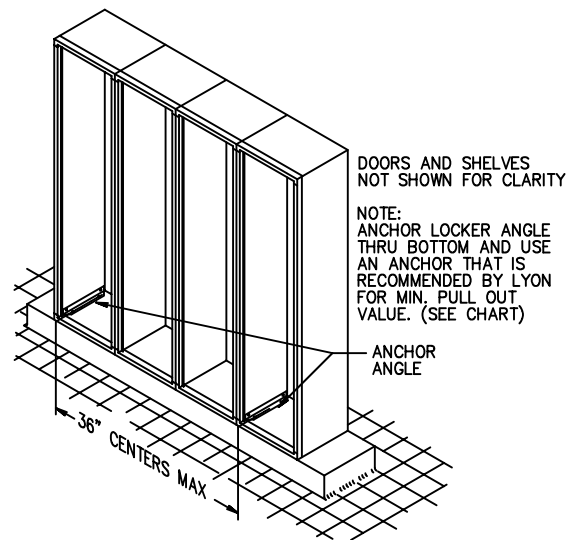
FREE STANDING SINGLE ROW LOCKERS W/ 6" LEGS



WARNING:

ANCHOR MUST HAVE A MINIMUM PULL-OUT VALUE OF 190 LBS., SPACED ON A MAXIMUM 36" CENTERS.

FREE STANDING SINGLE ROW LOCKERS



WARNING:

ANCHOR MUST HAVE A MINIMUM PULL-OUT VALUE OF 190 LBS., SPACED ON A MAXIMUM 36" CENTERS.

MISSING PARTS OR IN NEED OF ASSEMBLY ASSISTANCE?

Contact us direct for fast friendly service (800) 433-8488

Int'l calls (630) 892-8941 | WEB: WWW.LYONWORKSPACE.COM | Fax (800) 367-6681

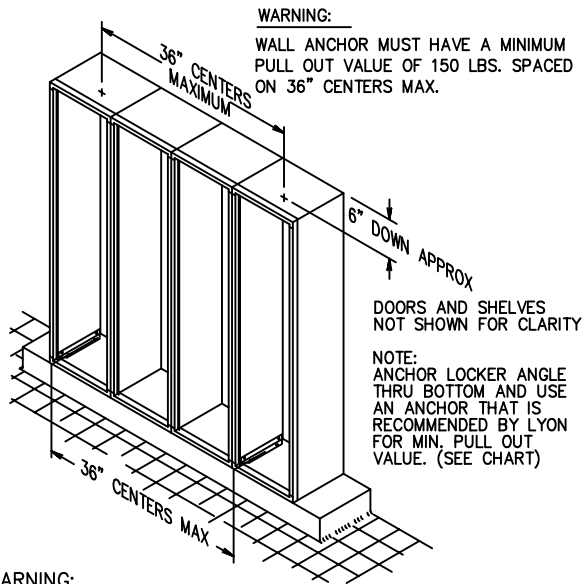
RECOMMENDED ANCHORING
INSTRUCTIONS
FOR LYON
STEEL LOCKERS

LYON LYON WORKSPACE PRODUCTS
P.O. BOX 671
150 1001 AURORA, IL 60507

10200-AA

SHEET 1 OF 2

SINGLE ROW LOCKERS AGAINST A WALL



WARNING:

WALL ANCHOR MUST HAVE A MINIMUM PULL OUT VALUE OF 150 LBS. SPACED ON 36" CENTERS MAX.

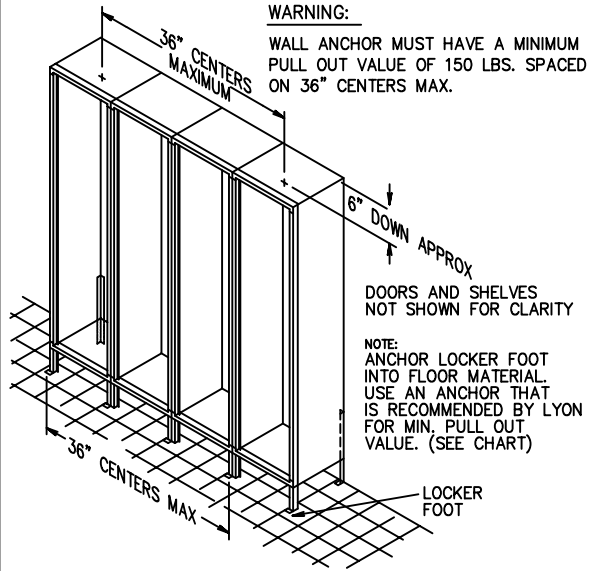
DOORS AND SHELVES NOT SHOWN FOR CLARITY

NOTE: ANCHOR LOCKER ANGLE THRU BOTTOM AND USE AN ANCHOR THAT IS RECOMMENDED BY LYON FOR MIN. PULL OUT VALUE. (SEE CHART)

WARNING:

ANCHOR MUST HAVE A MINIMUM PULL-OUT VALUE OF 190 LBS., SPACED ON A MAXIMUM 36" CENTERS.

SINGLE ROW LOCKERS W/ 6" LEGS AGAINST A WALL



WARNING:

WALL ANCHOR MUST HAVE A MINIMUM PULL OUT VALUE OF 150 LBS. SPACED ON 36" CENTERS MAX.

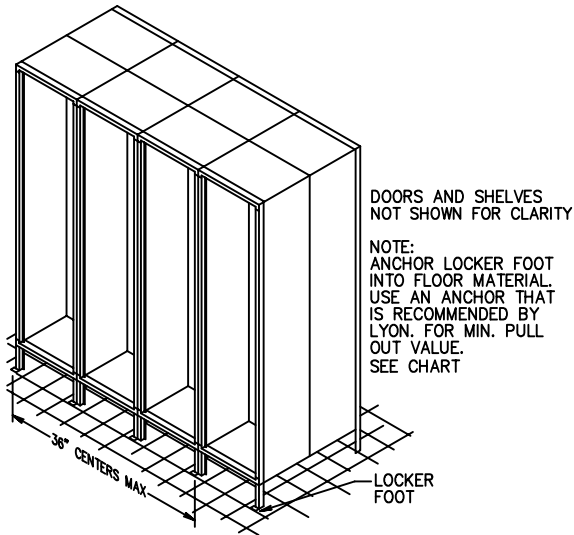
DOORS AND SHELVES NOT SHOWN FOR CLARITY

NOTE: ANCHOR LOCKER FOOT INTO FLOOR MATERIAL. USE AN ANCHOR THAT IS RECOMMENDED BY LYON FOR MIN. PULL OUT VALUE. (SEE CHART)

WARNING:

ANCHOR MUST HAVE A MINIMUM PULL-OUT VALUE OF 190 LBS., SPACED ON A MAXIMUM 36" CENTERS.

FREE STANDING DOUBLE ROW LOCKERS W/ 6" LEGS



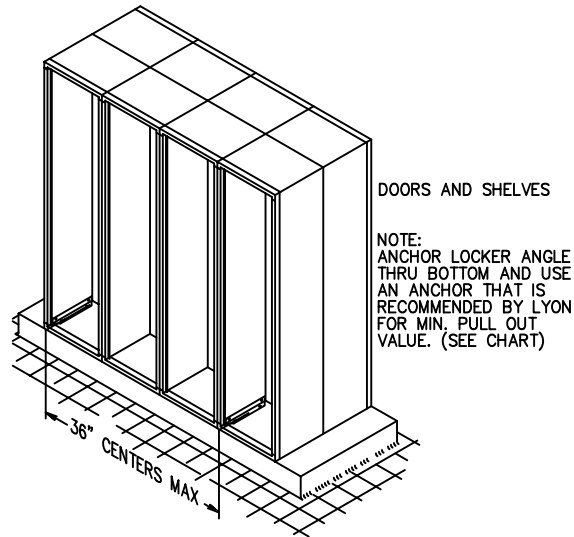
DOORS AND SHELVES NOT SHOWN FOR CLARITY

NOTE: ANCHOR LOCKER FOOT INTO FLOOR MATERIAL. USE AN ANCHOR THAT IS RECOMMENDED BY LYON. FOR MIN. PULL OUT VALUE. SEE CHART

WARNING:

ANCHOR MUST HAVE A MINIMUM PULL-OUT VALUE OF 190 LBS., SPACED ON A MAXIMUM 36" CENTERS.

FREE STANDING DOUBLE ROW LOCKERS



DOORS AND SHELVES

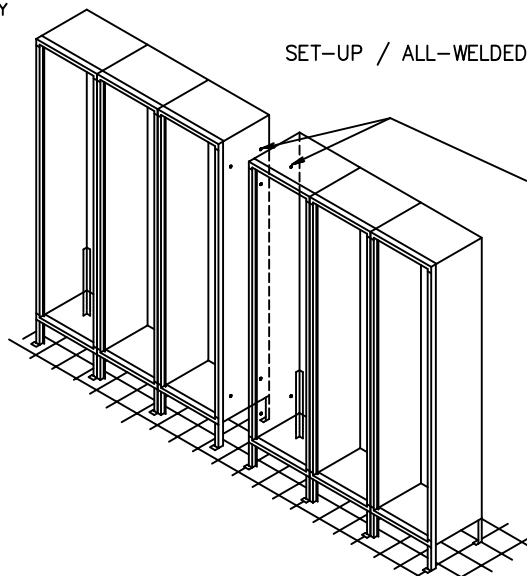
NOTE: ANCHOR LOCKER ANGLE THRU BOTTOM AND USE AN ANCHOR THAT IS RECOMMENDED BY LYON FOR MIN. PULL OUT VALUE. (SEE CHART)

WARNING:

ANCHOR MUST HAVE A MINIMUM PULL-OUT VALUE OF 190 LBS., SPACED ON A MAXIMUM 36" CENTERS.

NOT SHOWN FOR CLARITY

SET-UP / ALL-WELDED LOCKERS



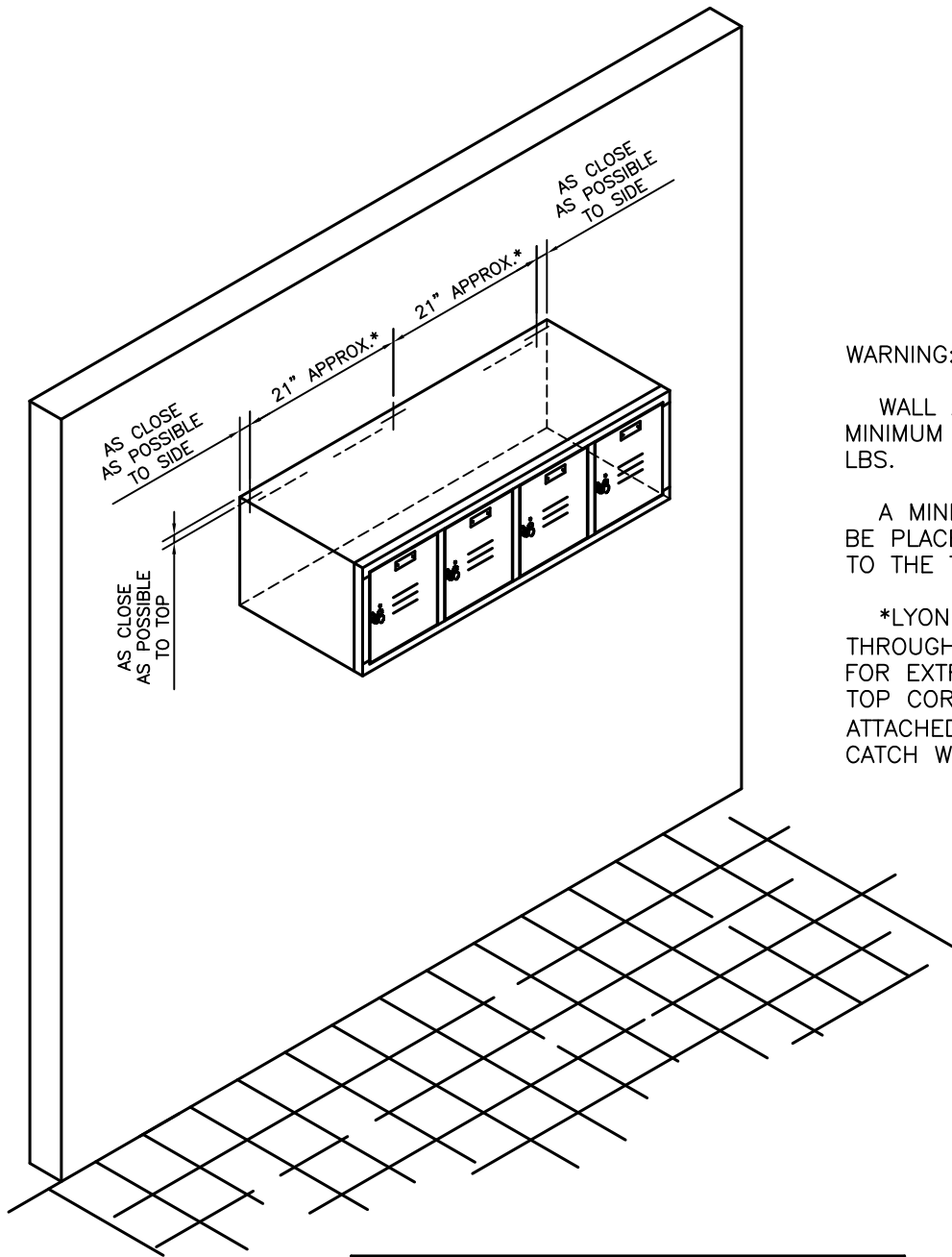
IN ADDITION TO THE INSTRUCTIONS ABOVE: BOLT SIDE BY SIDE ALL-WELDED UNITS IN 4 PLACES WITH 9P1568 SCREW AND OP10288 KEP NUTS. TYPICAL FOR LOCKERS WITH AND WITHOUT LEGS.

RECOMMENDED ANCHORING INSTRUCTIONS FOR LYON STEEL LOCKERS

LYON LYON WORKSPACE PRODUCTS
P.O. BOX 671
150 1001 AURORA, IL 60507

10200-AA

SHEET 2 OF 2



WARNING:

WALL ANCHOR MUST HAVE A MINIMUM PULL OUT VALUE OF 150 LBS.

A MINIMUM OF 3 ANCHORS MUST BE PLACED AS CLOSE AS POSSIBLE TO THE TOP CORNERS FOR RIGIDITY.

*LYON RECOMMENDS ANCHORING THROUGH ANCHORING ANGLES (12") FOR EXTRA SUPPORT ALONG INSIDE TOP CORNER IF ANCHORS MUST BE ATTACHED ON 16" CENTERS TO CATCH WALL STUDS.

RECOMMENDED ANCHORING METHODS

(HARDWARE NOT FURNISHED BY LYON)

ANCHORS FOR MASONRY:

	MIN. PULL OUT VALUE IN LBS.
-3/16" SPRING WING TOGGLE BOLT -----	200
-9/64" DIA. HAMMER-IN DRIVE PINS	
3/4" PENETRATION -----	400
-3/16" x 7/8" NAIL DRIVE ANCHORS -----	500
-1/4" SPRING WING TOGGLE BOLT -----	650
-RAWPLUGS & #8 SHT. METAL SCREWS	
1" PENETRATION -----	1190
-EXPANSION SCREWS FOR #10-24 SCREWS -----	1340
MIN. LENGTH 5/8"	
-1/4" x 1 1/8" ONE PIECE ANCHOR BOLT -----	1650
-1/4" x 1 3/4" STUD ANCHORS -----	1700

ANCHORS FOR WOOD:

	MIN. PULL OUT VALUE IN LBS.
-.216" (#12) WOOD SCREWS	
1 1/2" PENETRATION -----	180
-.242" (#14) WOOD SCREWS	
1 1/2" PENETRATION -----	202
-1/4" DIA. LAG BOLT	
1" PENETRATION -----	185
1 1/2" PENETRATION -----	277
-5/16" DIA. LAG BOLT	
1" PENETRATION -----	220
1 1/2" PENETRATION -----	330

POWER ACTUATED ANCHORS:

-9/64" DRIVE PIN	
3/4" PENETRATION -----	315
-5/32" DRIVE PIN	
1" PENETRATION -----	415

10211-AA