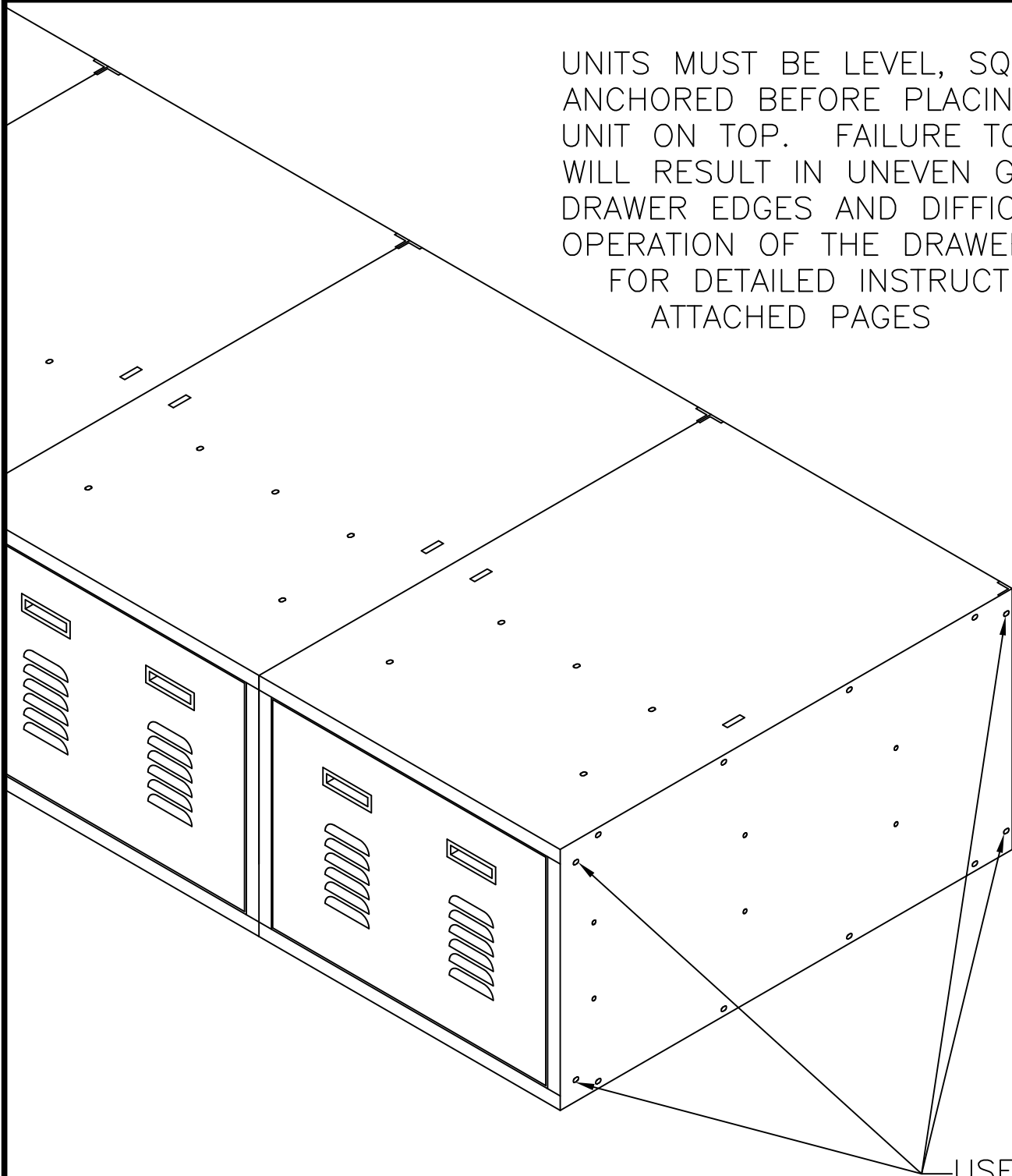


# GENERAL BASE UNIT INSTALLATION

UNITS MUST BE LEVEL, SQUARE AND ANCHORED BEFORE PLACING UPPER UNIT ON TOP. FAILURE TO DO SO WILL RESULT IN UNEVEN GAPS ALONG DRAWER EDGES AND DIFFICULT OPERATION OF THE DRAWER LATCH FOR DETAILED INSTRUCTIONS, SEE ATTACHED PAGES



UNITS SHOULD BE BOLTED TOGETHER TO KEEP UNITS FLUSH AND SQUARE

USE THESE HOLES TO BOLT UNITS TOGETHER

SHEET 1 OF 8

**MISSING PARTS OR IN NEED  
OF  
ASSEMBLY ASSISTANCE?**

Contact us direct for fast friendly service (800) 433-8488

Int'l calls (630) 892-8941 | WEB: [WWW.LYONWORKSPACE.COM](http://WWW.LYONWORKSPACE.COM) | Fax (800) 367-6681

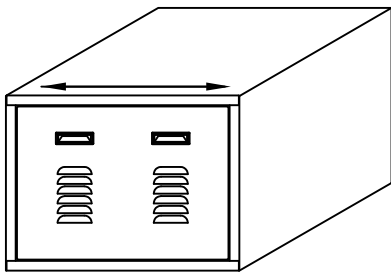
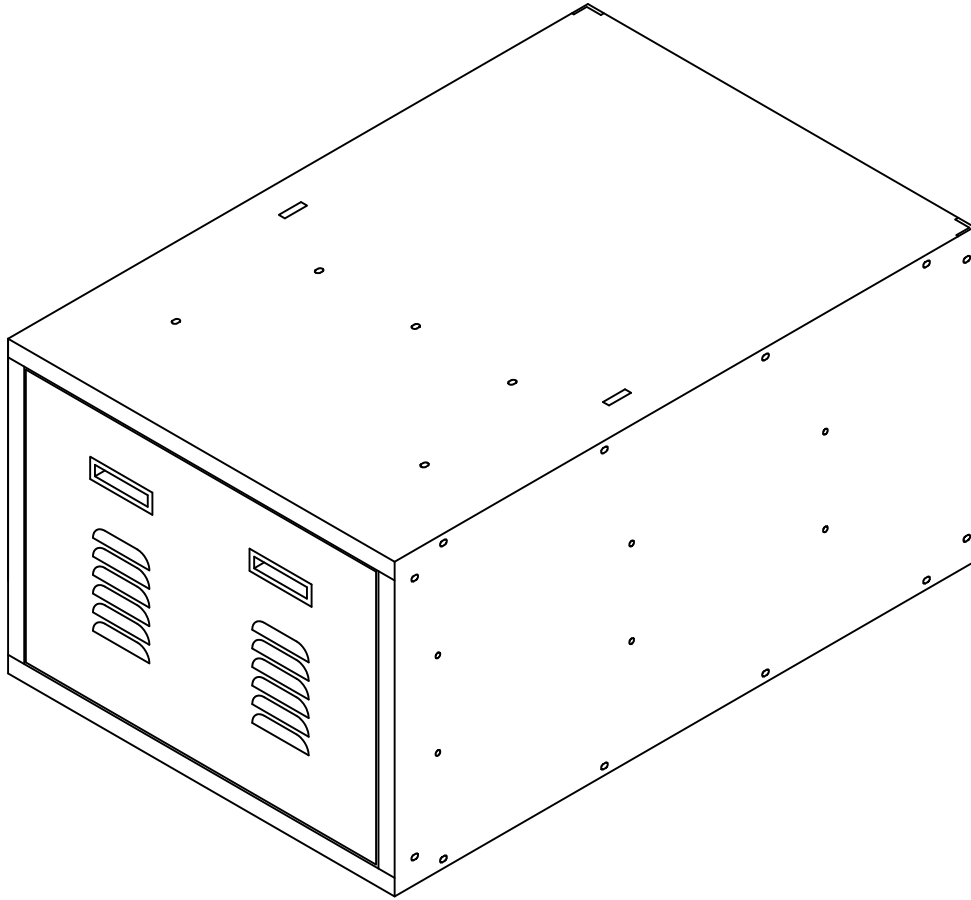
INSTALLATION INSTRUCTIONS  
FOR VALOR LOCKERS

**LYON**  LYON WORKSPACE PRODUCTS  
P.O. BOX 671  
AURORA, IL 60507

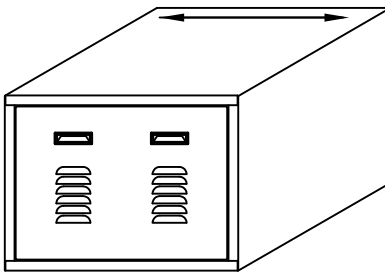
**6235-AA**

# BASE UNIT INSTALLATION

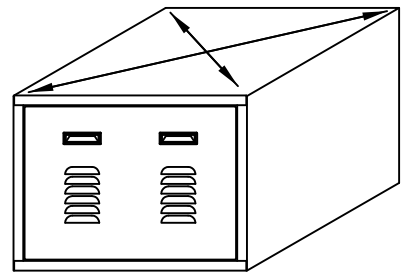
DETERMINE STARTING POINT AND LEVEL FIRST UNIT



LEVEL ACROSS  
FRONT OF UNIT



LEVEL ACROSS  
BACK OF UNIT



DOUBLE CHECK  
ACROSS DIAGONALS

SHEET 2 OF 8

**MISSING PARTS OR IN NEED  
OF  
ASSEMBLY ASSISTANCE?**

Contact us direct for fast friendly service (800) 433-8488

Int'l calls (630) 892-8941 | WEB: [WWW.LYONWORKSPACE.COM](http://WWW.LYONWORKSPACE.COM) | Fax (800) 367-6681

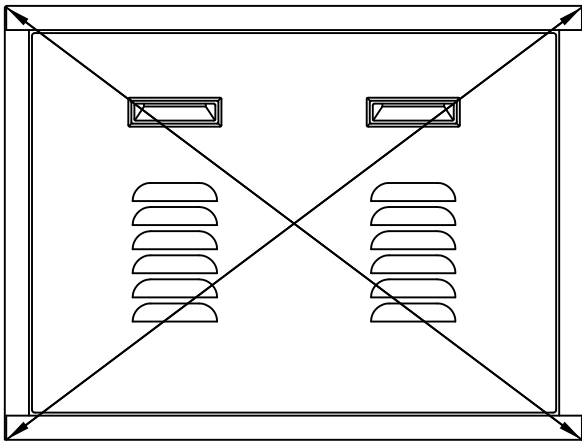
INSTALLATION INSTRUCTIONS  
FOR VALOR LOCKERS

**LYON**  LYON WORKSPACE PRODUCTS  
P.O. BOX 671  
AURORA, IL 60507

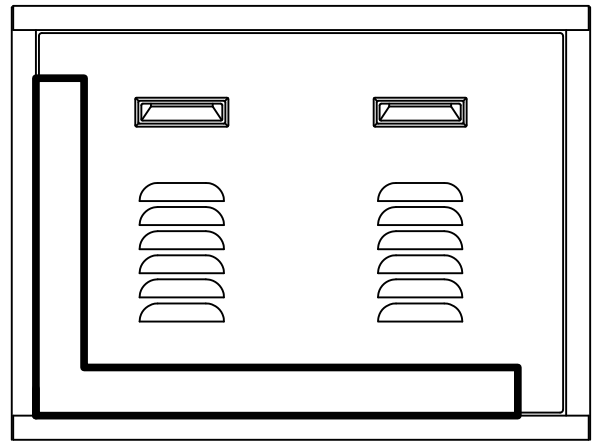
**6235-AA**

# BASE UNIT INSTALLATION

MAKE SURE THE UNIT IS SQUARE BY ONE OF THE TWO FOLLOWING METHODS:



MEASURE ACROSS DIAGONALS



USE FRAMING SQUARE

ANCHOR UNIT TO BASE AND TO WALL TO KEEP UNIT SQUARE FOR REMAINDER OF INSTALL

SHEET 3 OF 8

**MISSING PARTS OR IN NEED  
OF  
ASSEMBLY ASSISTANCE?**

Contact us direct for fast friendly service (800) 433-8488

Int'l calls (630) 892-8941 | WEB: [WWW.LYONWORKSPACE.COM](http://WWW.LYONWORKSPACE.COM) | Fax (800) 367-6681

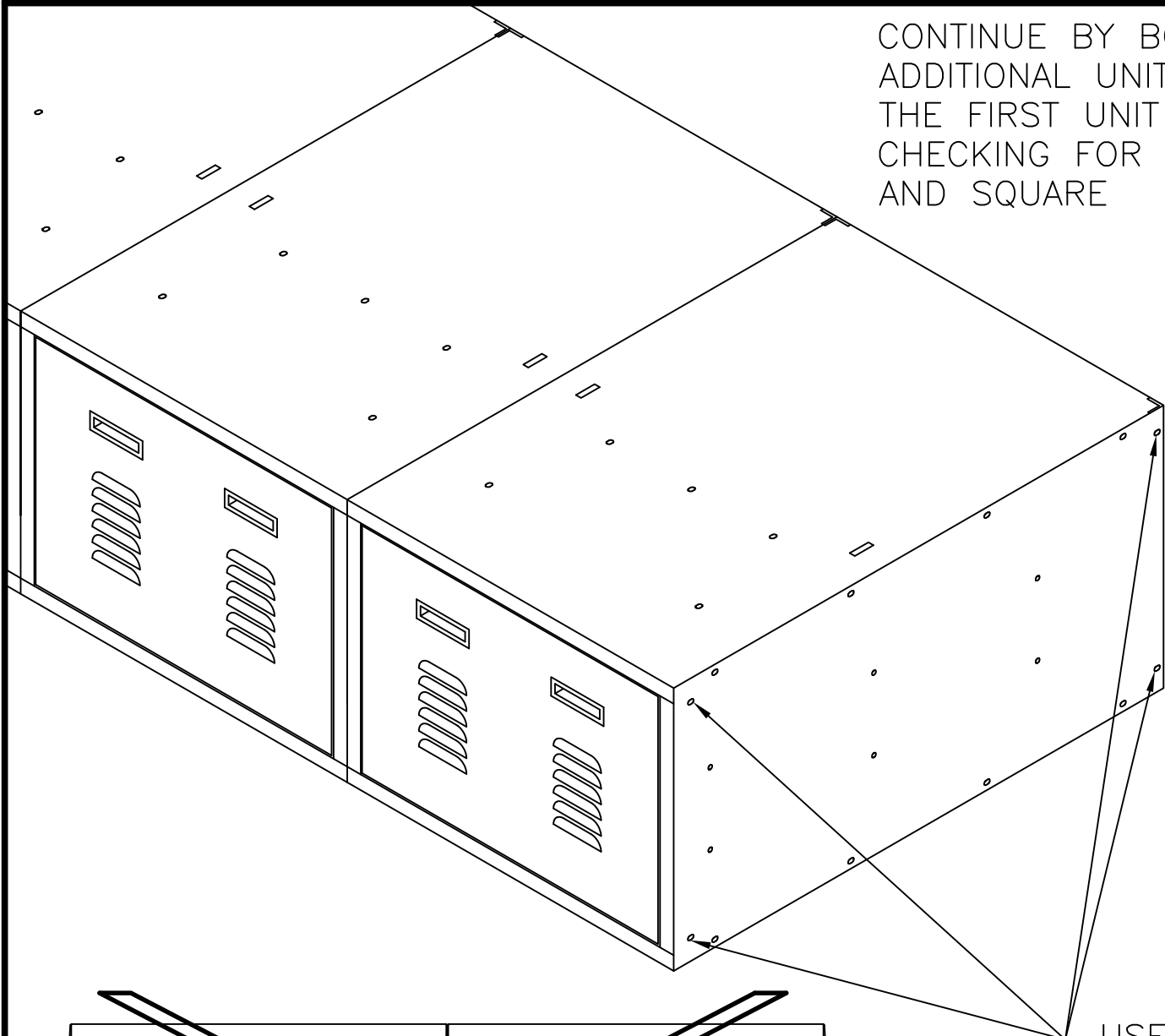
INSTALLATION INSTRUCTIONS  
FOR VALOR LOCKERS

**LYON**  LYON WORKSPACE PRODUCTS  
P.O. BOX 671  
AURORA, IL 60507

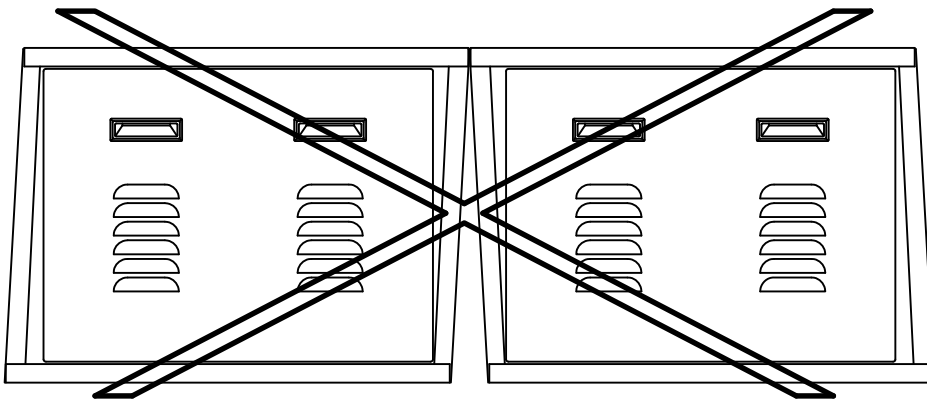
**6235-AA**

# BASE UNIT INSTALLATION

CONTINUE BY BOLTING  
ADDITIONAL UNITS TO  
THE FIRST UNIT AND  
CHECKING FOR LEVEL  
AND SQUARE



USE THESE  
HOLES TO  
BOLT UNITS  
TOGETHER



THIS EXAGGERATED DETAIL SHOWS WHAT CAN HAPPEN  
IF THE UNITS ARE NOT BOLTED TOGETHER AND  
SQUARED PROPERLY

SHEET 4 OF 8

**MISSING PARTS OR IN NEED  
OF  
ASSEMBLY ASSISTANCE?**

Contact us direct for fast friendly service (800) 433-8488

Int'l calls (630) 892-8941 | WEB: [WWW.LYONWORKSPACE.COM](http://WWW.LYONWORKSPACE.COM) | Fax (800) 367-6681

INSTALLATION INSTRUCTIONS  
FOR VALOR LOCKERS

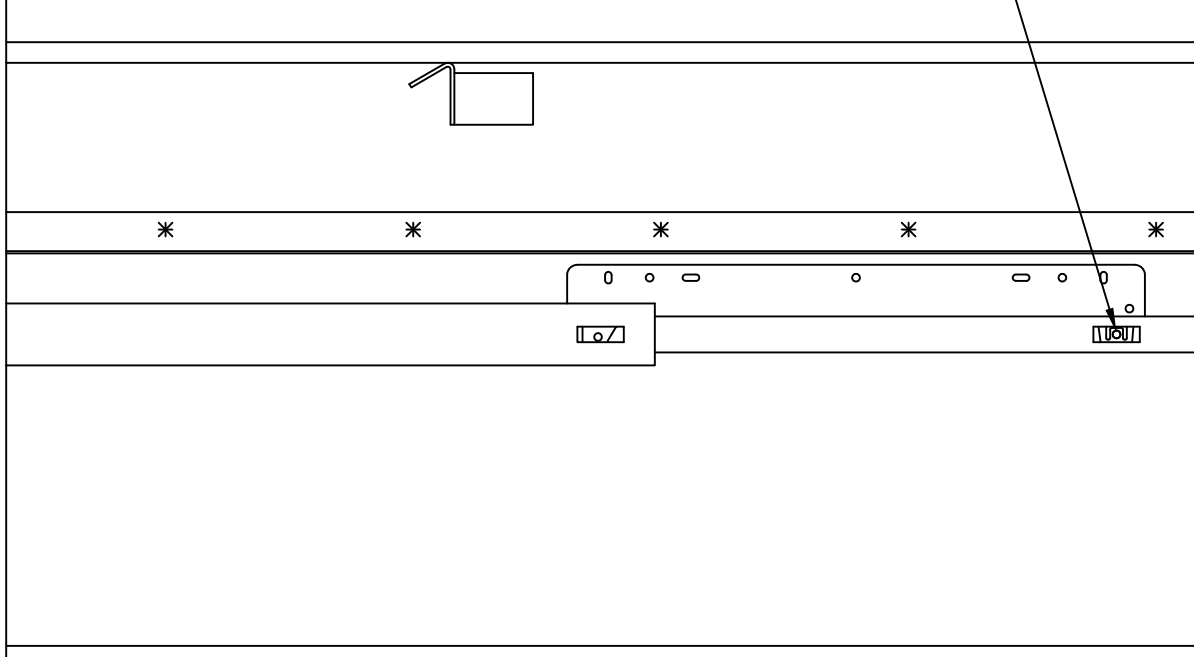
**LYON**  LYON WORKSPACE PRODUCTS  
P.O. BOX 671  
AURORA, IL 60507

**6235-AA**

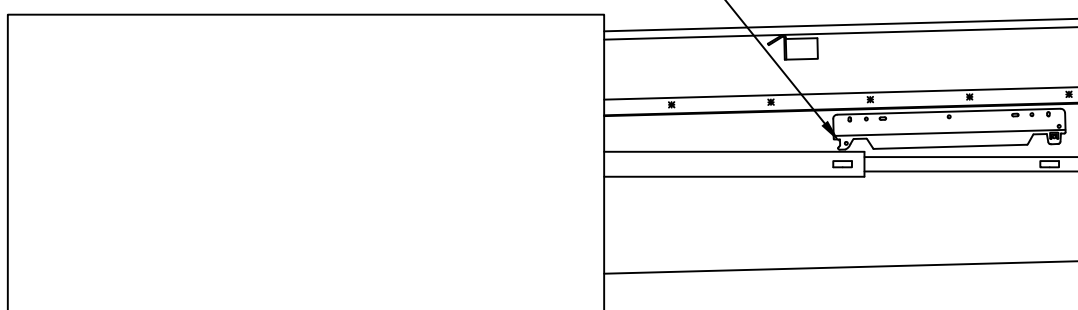
# DRAWER REMOVAL & INSTALLATION

REMOVE THE TWO RETAINING SCREWS HOLDING DRAWER TO SLIDES IN ORDER TO REMOVE THE DRAWER FROM CASE. THEN PROCEED TO LIFT OUT DRAWER.

REMOVE THIS SCREW FROM EACH SIDE



DO NOT BEND THESE TABS, AS DRAWER MISALIGNMENT WILL RESULT



TO INSTALL DRAWER:

PLACE DRAWER BODY ON TOP OF DRAWER SLIDES WITH THE REAR OF THE DRAWER INSIDE THE DRAWER CASE. MOVE ONE SLIDE TO MATCH UP TO THE RAIL ON THE DRAWER AND DROP THE REAR OF THE DRAWER INTO THE SLOT. MATCH UP THE OTHER REAR SIDE AND THEN DROP THE FRONT OF THE DRAWER DOWN INTO THE FRONT SLOTS. REINSTALL RETAINING SCREWS.

SHEET 5 OF 8

**MISSING PARTS OR IN NEED  
OF  
ASSEMBLY ASSISTANCE?**

Contact us direct for fast friendly service (800) 433-8488

Int'l calls (630) 892-8941 | WEB: [WWW.LYONWORKSPACE.COM](http://WWW.LYONWORKSPACE.COM) | Fax (800) 367-6681

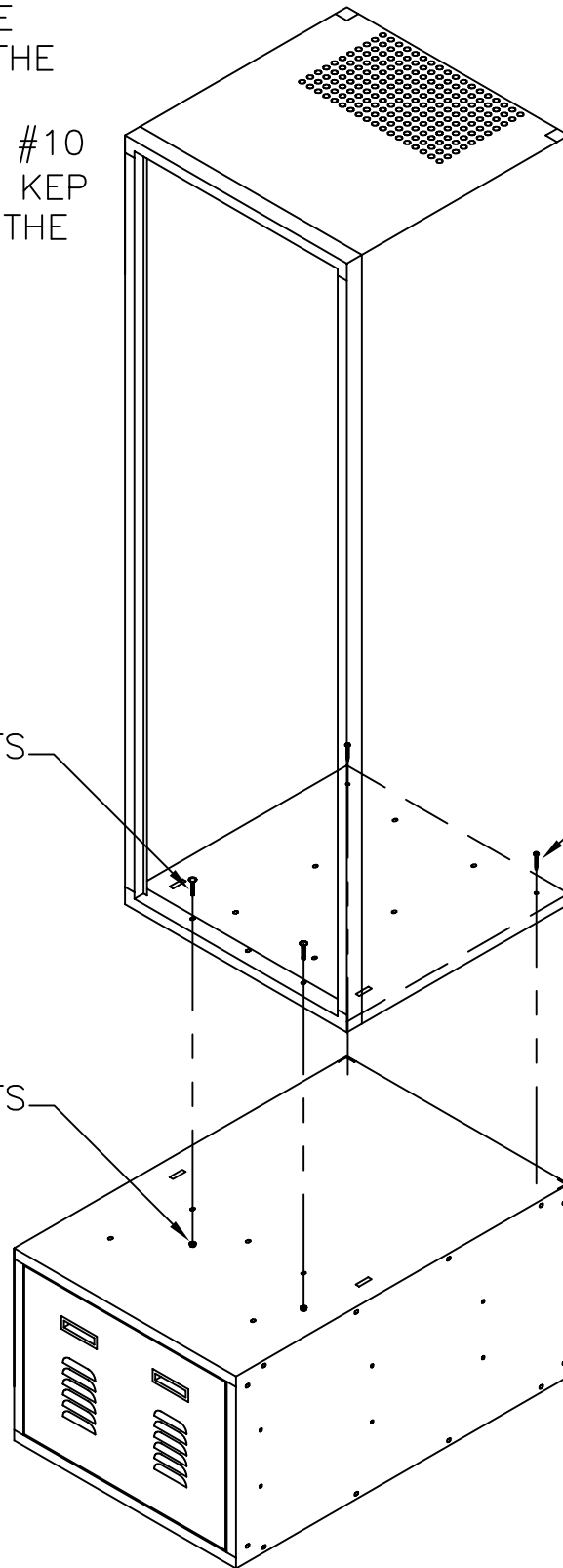
INSTALLATION INSTRUCTIONS  
FOR VALOR LOCKERS

**LYON**  LYON WORKSPACE PRODUCTS  
P.O. BOX 671  
AURORA, IL 60507

**6235-AA**

# UPPER UNIT INSTALLATION

AFTER ANCHORING THE BASE UNITS, ATTACH THE UPPER UNIT TO THE LOWER UNIT WITH (2) #10 x 1 1/2" BOLTS AND KEP NUTS. ALSO ATTACH THE REAR CORNERS WITH 1 1/2" TEK SCREWS.



NOTE:  
LOCKER DOOR AND  
INTERIOR COMPONENTS  
NOT SHOWN FOR  
CLARITY

#10 x 1 1/2" BOLTS

#12 TEK  
SCREWS

#10 KEP NUTS

ANCHOR UPPER  
UNIT IN AN  
APPROVED MANNER

SHEET 6 OF 8

**MISSING PARTS OR IN NEED  
OF  
ASSEMBLY ASSISTANCE?**

Contact us direct for fast friendly service (800) 433-8488

Int'l calls (630) 892-8941 | WEB: [WWW.LYONWORKSPACE.COM](http://WWW.LYONWORKSPACE.COM) | Fax (800) 367-6681

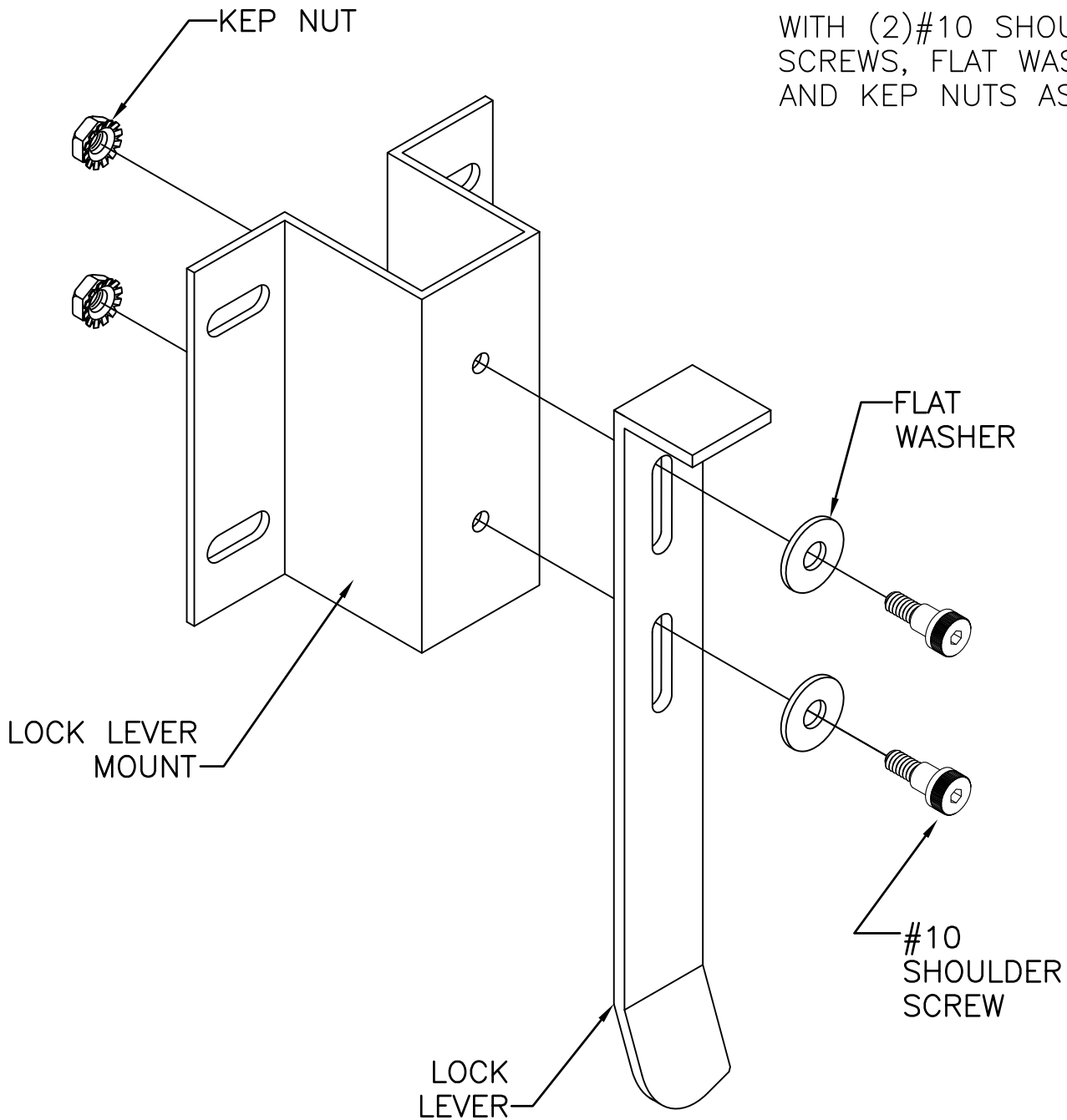
INSTALLATION INSTRUCTIONS  
FOR VALOR LOCKERS

**LYON**  LYON WORKSPACE PRODUCTS  
P.O. BOX 671  
AURORA, IL 60507

**6235-AA**

# DRAWER LATCH ASSEMBLY

ATTACH DRAWER LOCK LEVER TO LEVER MOUNT WITH (2)#10 SHOULDER SCREWS, FLAT WASHERS AND KEP NUTS AS SHOWN.



SHEET 7 OF 8

**MISSING PARTS OR IN NEED  
OF  
ASSEMBLY ASSISTANCE?**

Contact us direct for fast friendly service (800) 433-8488

Int'l calls (630) 892-8941 | WEB: [WWW.LYONWORKSPACE.COM](http://WWW.LYONWORKSPACE.COM) | Fax (800) 367-6681

INSTALLATION INSTRUCTIONS  
FOR VALOR LOCKERS

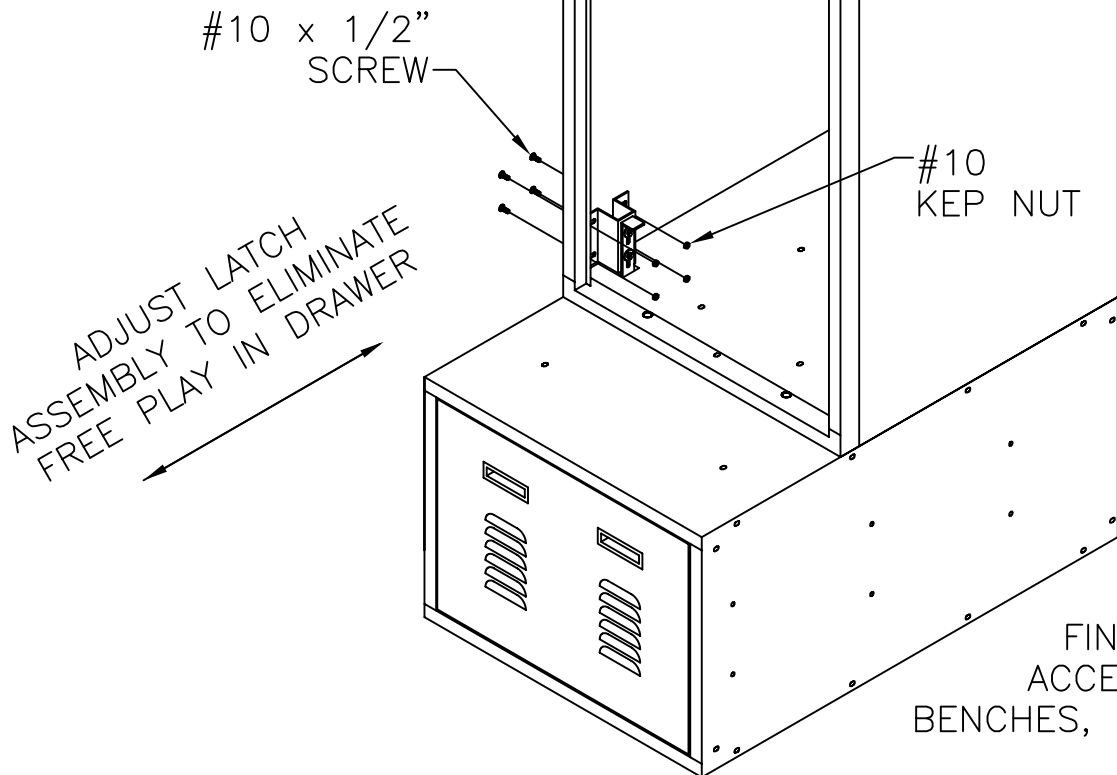
**LYON**  LYON WORKSPACE PRODUCTS  
P.O. BOX 671  
AURORA, IL 60507

**6235-AA**

# DRAWER LATCH INSTALLATION

ATTACH DRAWER LATCH  
ASSEMBLY TO LOCKER UNIT  
WITH (4) #10 SCREWS  
AND KEP NUTS AS SHOWN

NOTE:  
LOCKER DOOR AND  
INTERIOR COMPONENTS  
NOT SHOWN FOR  
CLARITY



SHEET 8 OF 8

**MISSING PARTS OR IN NEED  
OF  
ASSEMBLY ASSISTANCE?**

Contact us direct for fast friendly service (800) 433-8488

Int'l calls (630) 892-8941 | WEB: [WWW.LYONWORKSPACE.COM](http://WWW.LYONWORKSPACE.COM) | Fax (800) 367-6681

INSTALLATION INSTRUCTIONS  
FOR VALOR LOCKERS

**LYON**  LYON WORKSPACE PRODUCTS  
P.O. BOX 671  
AURORA, IL 60507

**6235-AA**