

ASSEMBLY SEQUENCE

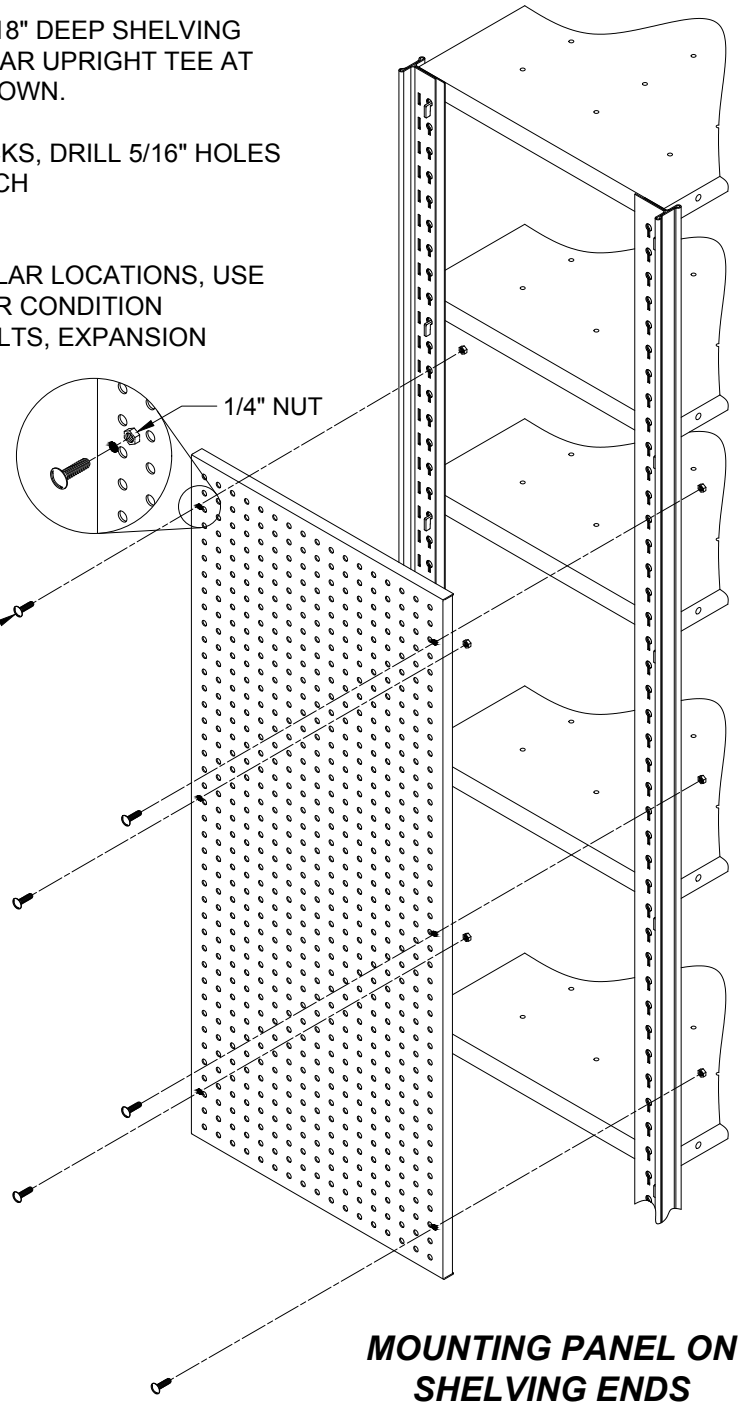
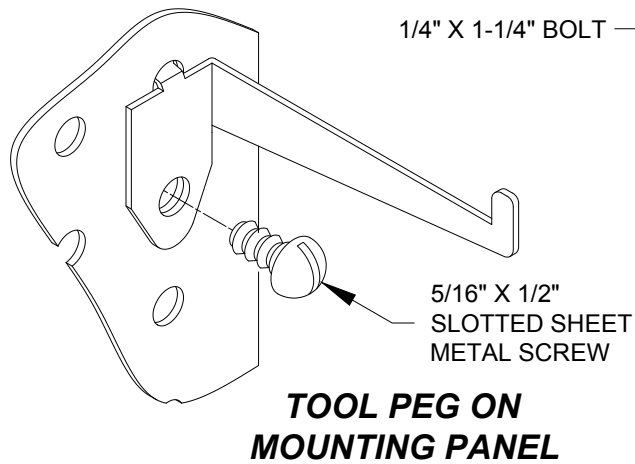
NO. 8210 MOUNTING PANELS MAY BE ATTACHED TO SHELVING RACK ENDS, TO SHELVING BACKS, MOUNTED ON WALLS, COLUMNS, OR SIMILAR LOCATIONS.

OPERATION 1

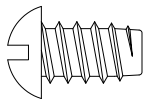
- 1) TO ATTACH MOUNTING PANELS TO THE ENDS OF 18" DEEP SHELVING RACKS, BOLT EACH PANEL TO THE FRONT AND REAR UPRIGHT TEE AT DESIRED HEIGHT W/ SIX 1/4" X 1 1/4" BOLTS, AS SHOWN.
- 2) TO ATTACH MOUNTING PANELS TO SHELVING BACKS, DRILL 5/16" HOLES IN THE BACK AT LOCATIONS REQUIRED AND ATTACH W/ 1/4" X 1 1/4" BOLTS & NUTS.
- 3) TO MOUNT PANELS ON WALLS, COLUMNS OR SIMILAR LOCATIONS, USE WHATEVER TYPE OF FASTENERS THE PARTICULAR CONDITION REQUIRES, SUCH AS WOOD SCREWS, TOGGLE BOLTS, EXPANSION ANCHORS, ETC.

OPERATION 2

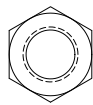
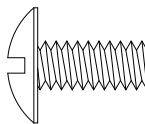
- 1) TO ATTACH TOOL PEGS TO MOUNTING PANEL, SLIDE TOP PEG THROUGH DESIRED MOUNTING PANEL HOLE. SECURE W/ 5/16" X 1/2" SLOTTED SHEET METAL SCREW, AS SHOWN BELOW.



SHOWN ACTUAL SIZE



5/16" X 1/2" SLOTTED SHEET METAL SCREW



1/4" X 1-1/4" BOLT & NUT

E-190815-1

**MISSING PARTS OR IN NEED
OF
ASSEMBLY ASSISTANCE?**

Contact us direct for fast friendly service (800) 323-0082

Int'l calls (630) 892-8941 | Web: www.lyonworkspace.com | Fax (800) 367-6681

ASSEMBLY INSTRUCTIONS
FOR MOUNTING PANEL

LYON

LYON LLC
P.O. BOX 671
AURORA, IL 60507

4271-DA