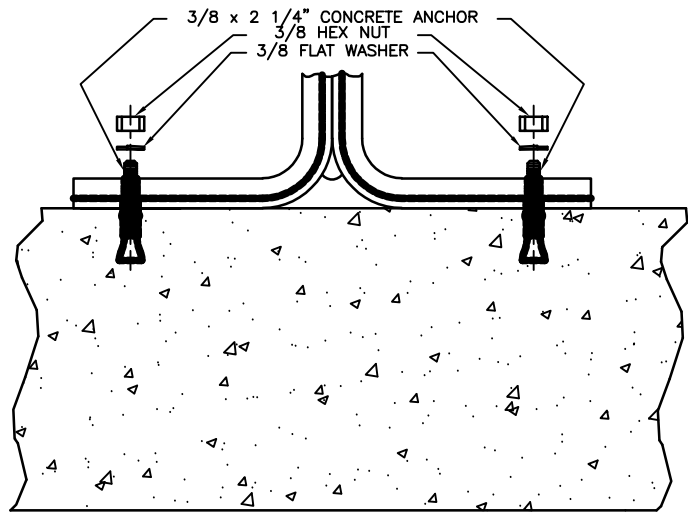
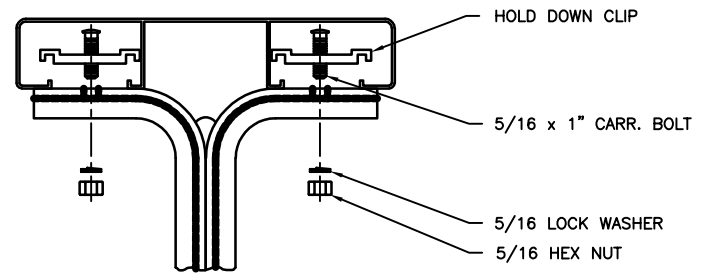


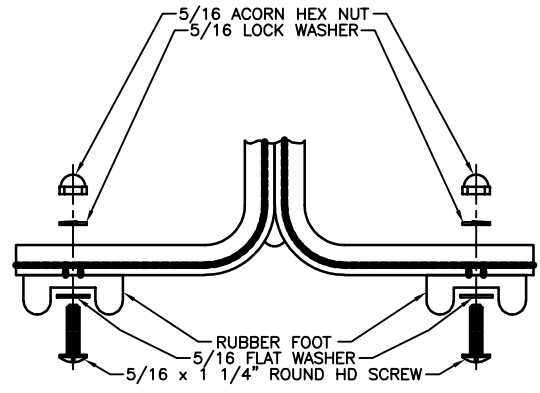
OPTIONAL PERMANENT MOUNTING



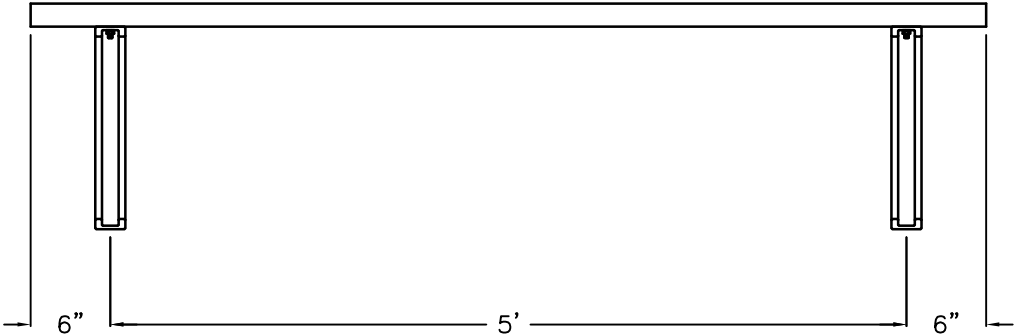
TYPICAL ALUMINUM PLANK ATTACHMENT



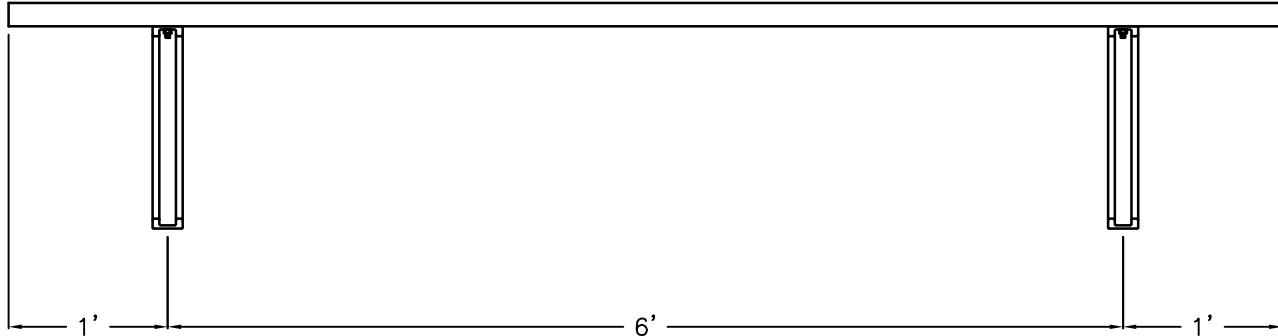
OPTIONAL PORTABLE MOUNTING



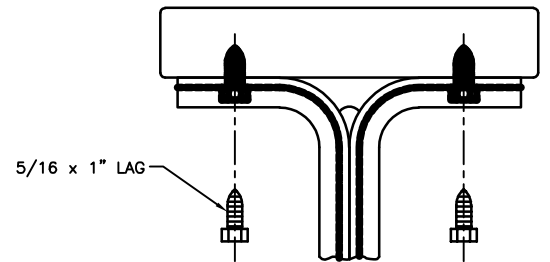
6'-0" MODEL (5824)



8'-0" MODEL (5825)



TYPICAL WOOD PLANK ATTACHMENT



LYON METAL PRODUCTS
P.O. BOX 671, AURORA, IL 60507-0671

SCALE:	APPROVED BY:	DRAWN BY:
DATE: 12.20.95		RYAN HOLLEY
TITLE: ASSEMBLY PRINT FOR BENCH #'S 5824, 5825		DRAWING NUMBER:
CUSTOMER:		DL-2LEG