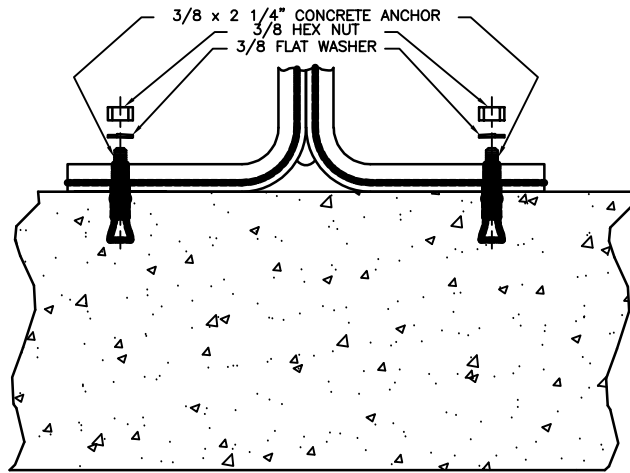
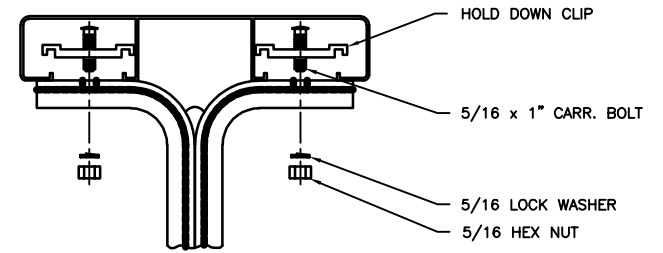


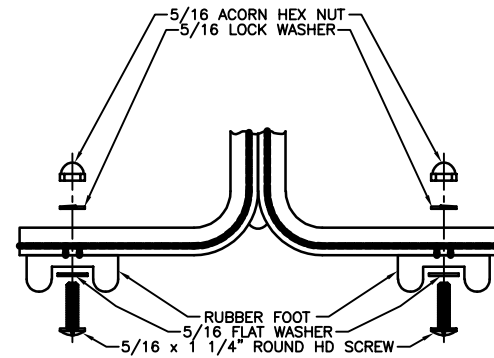
OPTIONAL PERMANENT MOUNTING



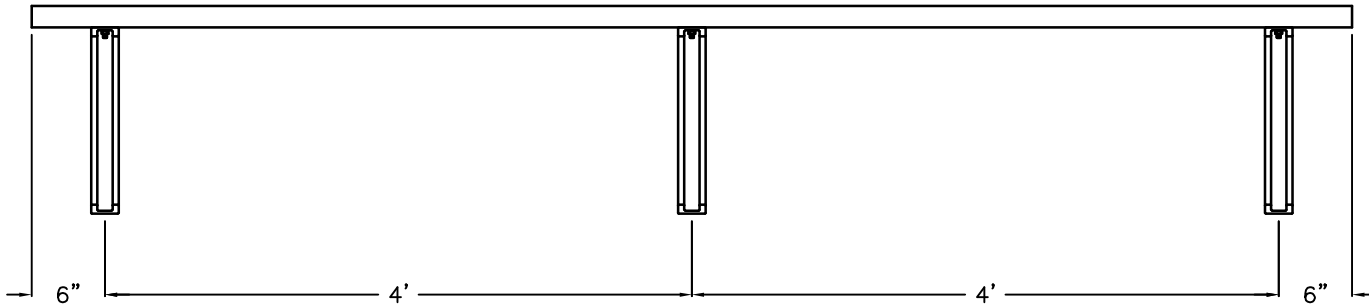
TYPICAL ALUMINUM PLANK ATTACHMENT



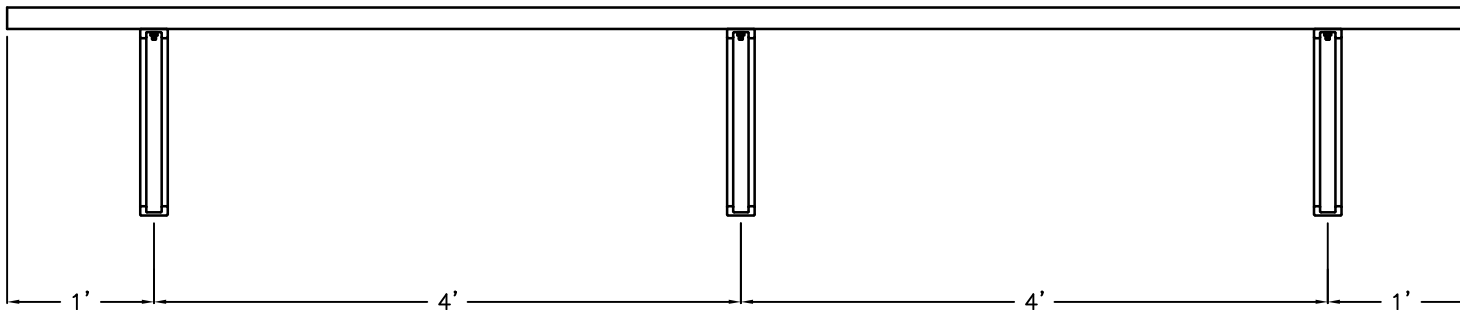
OPTIONAL PORTABLE MOUNTING



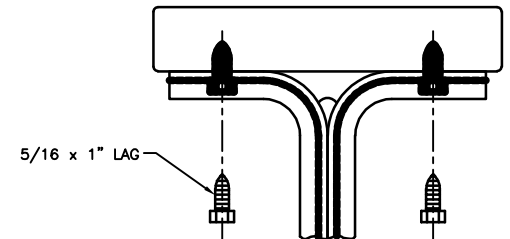
9'-0" MODEL (5826)



10'-0" MODEL (5827)



TYPICAL WOOD PLANK ATTACHMENT



LYON METAL PRODUCTS
 P.O. BOX 671, AURORA, IL 60507-0671

SCALE:	APPROVED BY:	DRAWN BY:
DATE: 12.20.95		RYAN HOLLEY
TITLE: ASSEMBLY PRINT FOR BENCH #'S 5826, 5827		DRAWING NUMBER: DL-3LEG
CUSTOMER:		