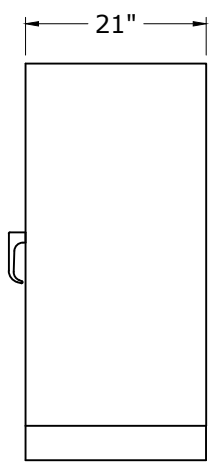
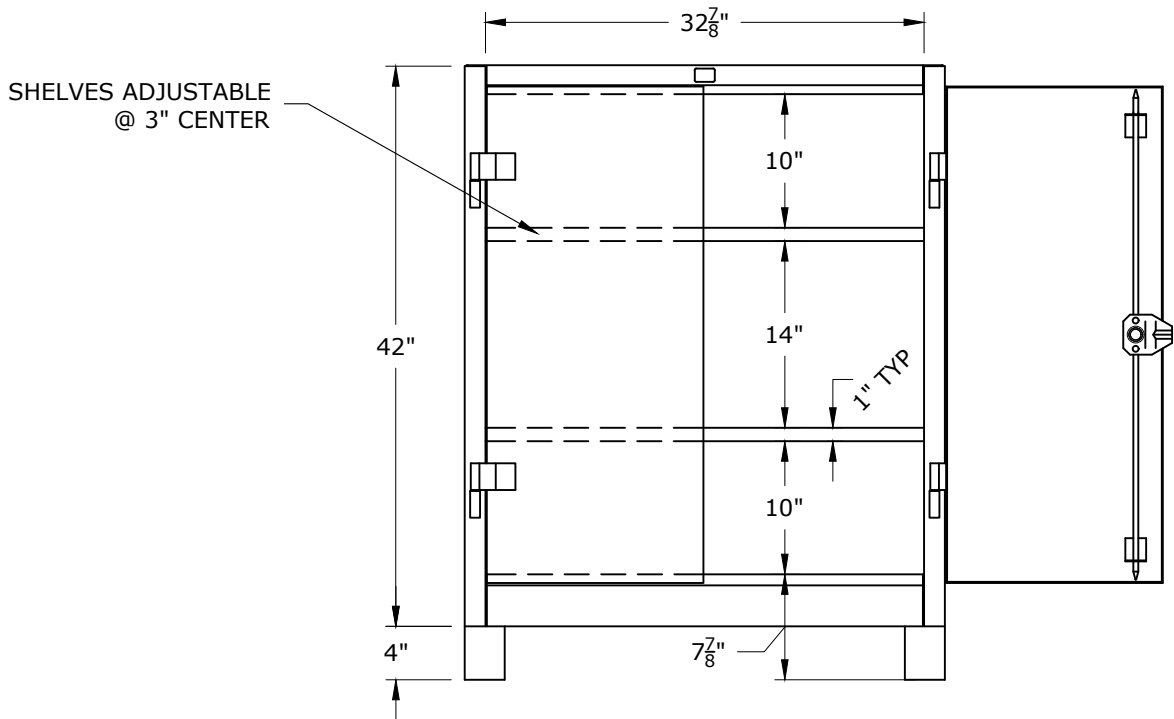



FRONT CLOSED VIEW



SIDE VIEW



		
P.O. Box 671 AURORA, IL 60507-0671 PHONE: 630-892-8941 FAX: 800-367-6681		
NOTICE: THIS IS A CONFIDENTIAL DISCLOSURE LOANED BY LYON WORKSPACE FOR REFERENCE PURPOSES ONLY		
DATE	DRAWN BY	CHECKED BY
08-08-12	JR	DWV
DESCRIPTION		
PRE-ENGINEERED CABINET MAINTENANCE CENTER 36"W x 21"D x 46"H		
SHEET	DRAWING NUMBER	REV
	1110	1