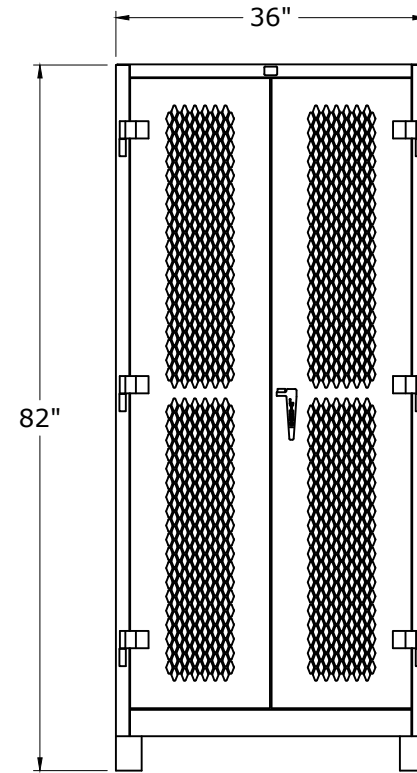
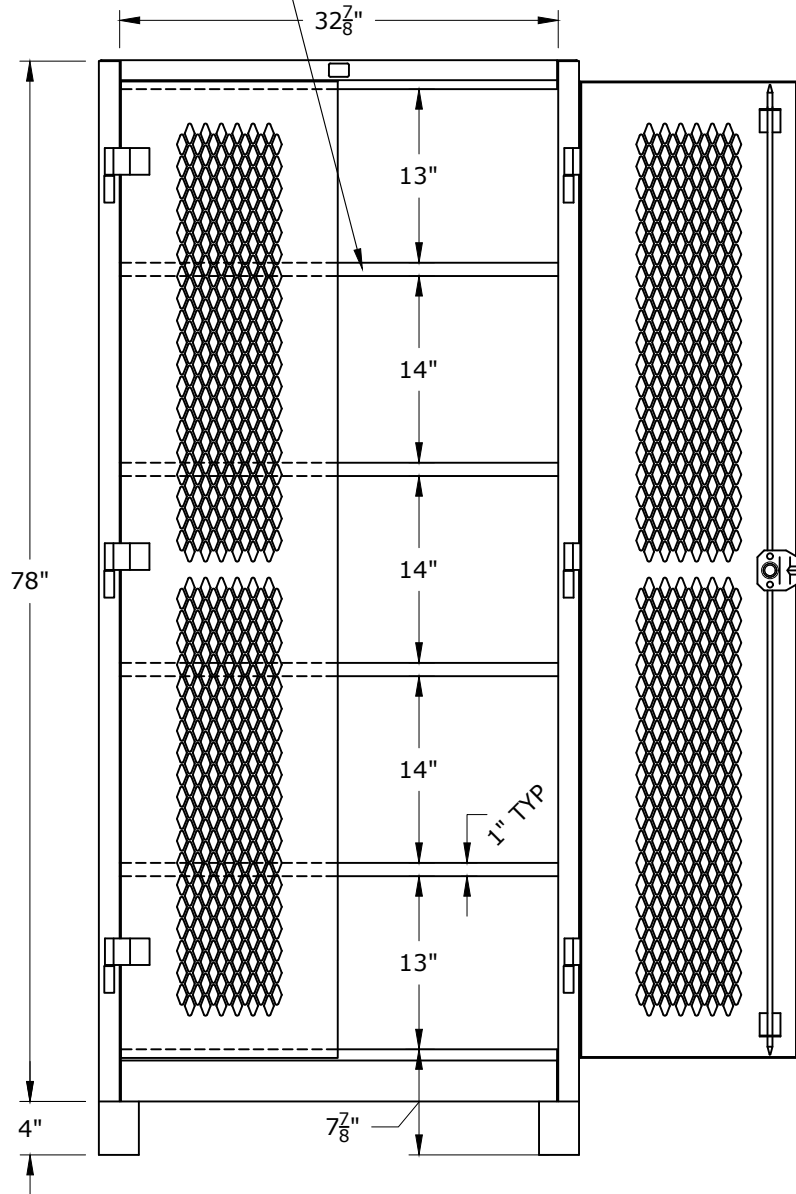
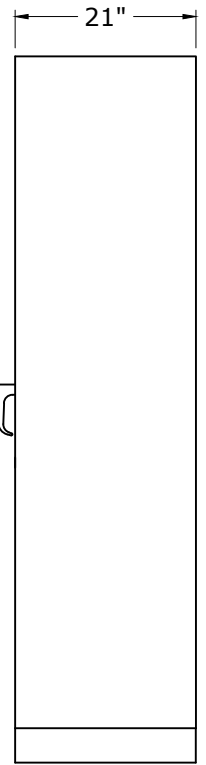


SHELVES ADJUSTABLE
@ 3" CENTER



FRONT CLOSED VIEW



SIDE VIEW

LYON P.O. Box 671
AURORA, IL 60507-0671
PHONE: 630-892-8941
FAX: 800-367-6681

NOTICE: THIS IS A CONFIDENTIAL DISCLOSURE LOANED BY
LYON WORKSPACE FOR REFERENCE PURPOSES ONLY

DATE 08-08-12	DRAWN BY JR	CHECKED BY DWV
------------------	----------------	-------------------

DESCRIPTION

PRE-ENGINEERED CABINET
MAINTENANCE CENTER
36"W x 21"D x 82"H

SHEET	DRAWING NUMBER 1114DP	REV 1
-------	--------------------------	----------